

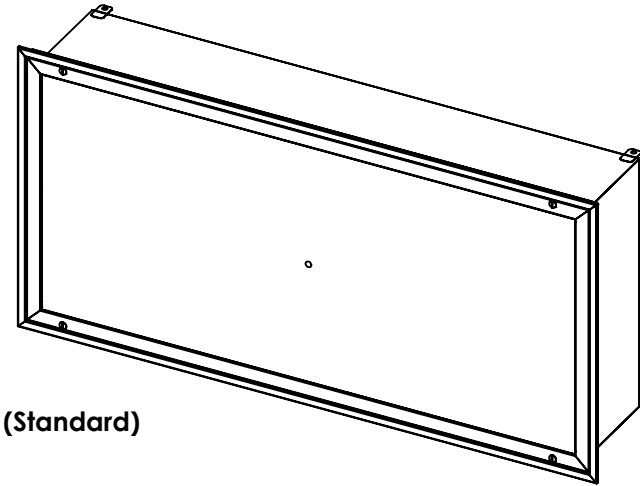
Job Name: _____

Tag Name: _____ Quantity: _____

Unit Size: _____

STAINLESS STEEL SSLFHD-MC

LAMINAR FLOW HEPA FILTER DIFFUSER
MEDIUM CAPACITY (T-STYLE)



OPTIONS

- 304 Stainless Steel **(Standard)**
 - #4 Satin Finish **(Standard)**
- 316 Stainless Steel
 - #4 Satin Finish
- Aluminum
- White Antimicrobial Epoxy Powdercoat Finish
- Other Color _____
- Top Inlet - (Select Shape/Size) **(Standard)**
- Side Inlet - (Select Shape/Size)
- End Inlet - (Select Shape/Size)
- Round Inlet - Size: _____ **(Standard)**
- Rectangle Inlet - Size: _____
 - Flanged
- Oval Inlet - Size: _____
- Foil-Backed Insulation
 - 1.5"
 - 2.25"
- Solid Adjustable Disc Damper **(Standard)**
- Butterfly Damper
- Bowtie Damper
- Remote Damper
(Not Available with Disc Damper)
- (1 or 2) Pressure Ports
- PAO Challenge Manifold
(Requires 2 Pressure Ports)
- HEPA Filter - 99.99% on 0.3µm **(Standard)**
- ULPA Filter - 99.9995% on 0.12 µm
- HEPA-let Filter Monitor
 - Battery
 - 24V Supply
(By Others)



8701 Elmwood Ave #400
Kansas City, MO 63132

Ph: 816-231-5522 Fax: 816-231-8437

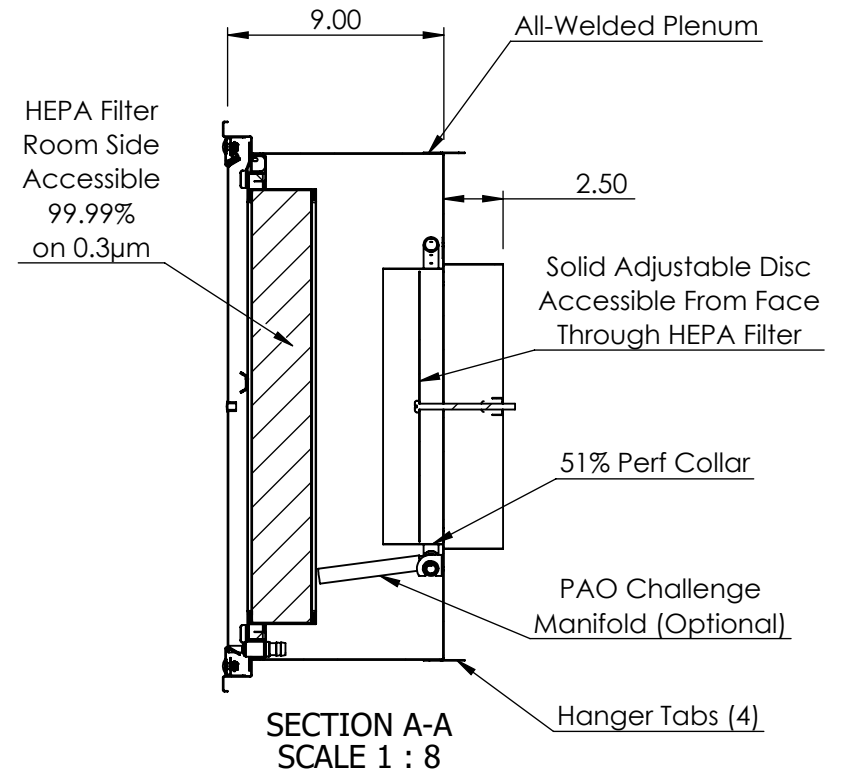
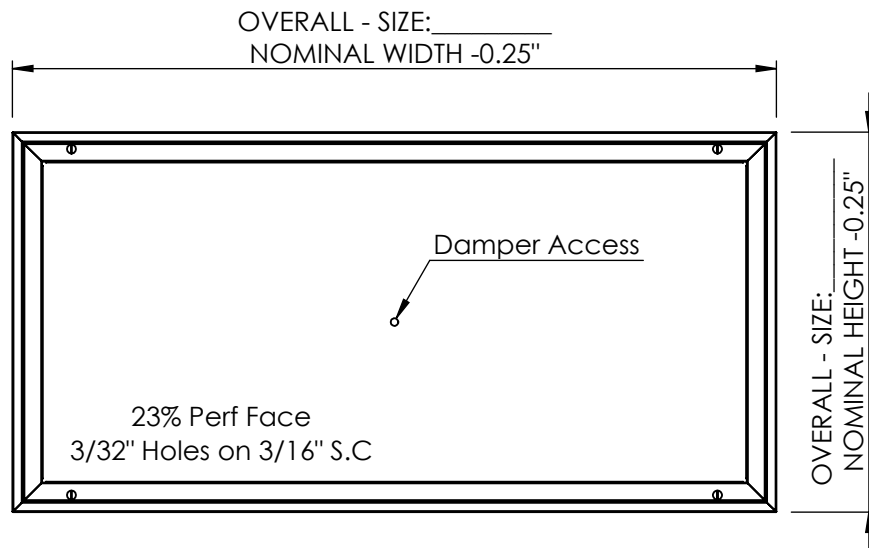
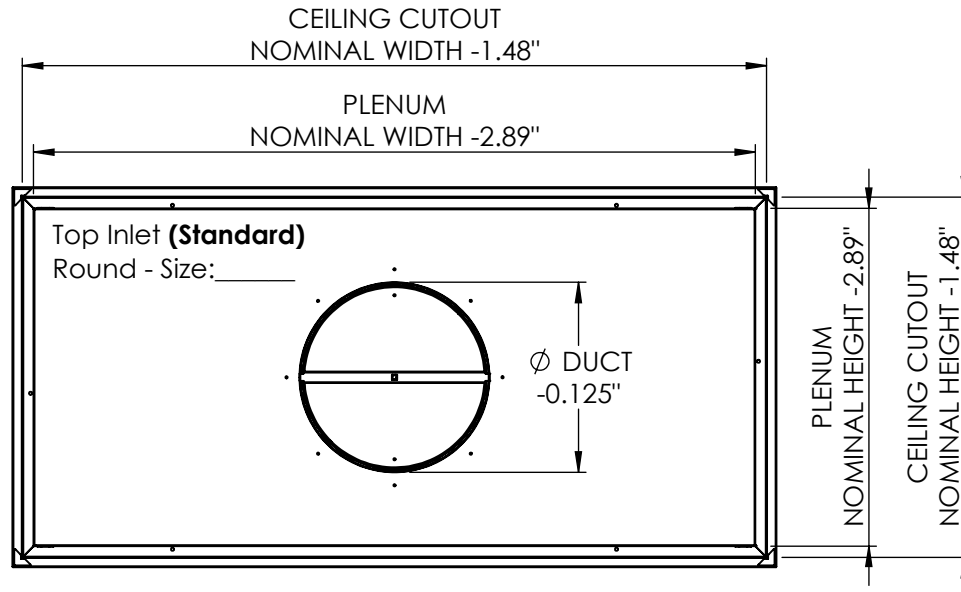
800-247-5746 Email: robhaake@ajmfg.us

Please Visit Our Web Site At: www.ajmfg.com

DRAWN SLG	MATERIAL 304SS	JOB NAME	TAG	QTY	REV # A
CHKD	FINISH #4 SATIN	ENGINEER	DRAWING NAME SSLFHD-T-MC		SHT 1/3
APRVD	SIZE	CONTRACTOR			SCL 1:12
					DO NOT SCALE

STAINLESS STEEL SSLFHD-MC

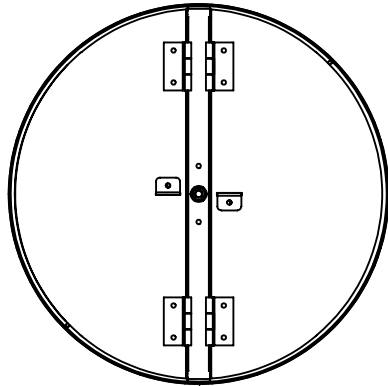
LAMINAR FLOW HEPA FILTER DIFFUSER
MEDIUM CAPACITY (T-STYLE)



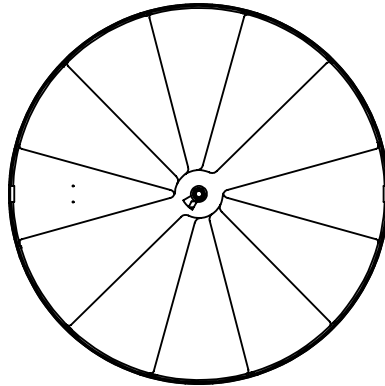
8701 Elmwood Ave #400
Kansas City, MO 63132
Ph:816-231-5522 Fax:816-231-8437
800-247-5746 Email:robhaake@ajmfg.us
Please Visit Our Web Site At: www.ajmfg.com

DRAWN SLG	MATERIAL 304SS	JOB NAME	TAG	QTY	REV # A
CHKD	FINISH #4 SATIN	ENGINEER	DRAWING NAME SSLFHD-T-MC		SHT 2/3
APRVD	SIZE	CONTRACTOR			SCL 1:12
					DO NOT SCALE

Butterfly Damper
(Optional)



Bowtie Damper
(Optional)



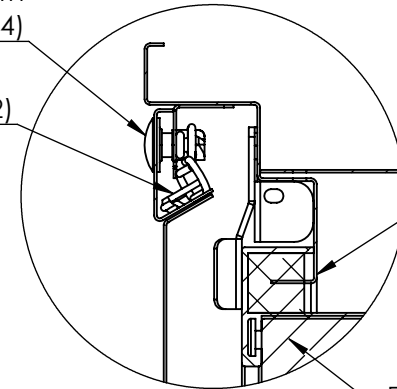
STAINLESS STEEL SSLFHD-MC

LAMINAR FLOW HEPA FILTER DIFFUSER
MEDIUM CAPACITY (T-STYLE)

Quarter-Turn
Fasteners (4)

Safety Cables (2)

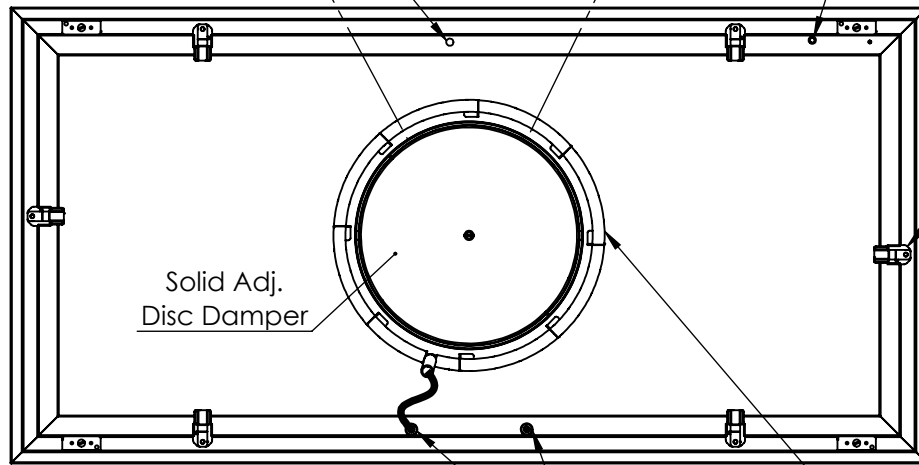
Filter Seal/
Knife Edge



Filter

Remote Damper
Actuator (Optional)

HEPA-Iert
Indicator Lamp
(Optional)



Filter Retainer Clips
(No Tools Required)

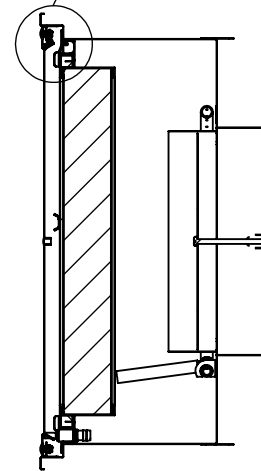
Solid Adj.
Disc Damper

FACE FRAME AND HEPA FILTER
REMOVED FOR CLARITY

1/2" Pressure Ports
(1 or 2) (Optional)

PAO Challenge
Manifold (Optional)

SECTION A-A



8701 Elmwood Ave #400
Kansas City, MO 63132
Ph:816-231-5522 Fax:816-231-8437
800-247-5746 Email:robhaake@ajmfg.us
Please Visit Our Web Site At: www.ajmfg.com

DRAWN SLG	MATERIAL 304SS	JOB NAME	TAG	QTY	REV # A
CHKD	FINISH #4 SATIN	ENGINEER	DRAWING NAME SSLFHD-T-MC		SHT 3/3
APRVD	SIZE	CONTRACTOR			SCL 1:10
					DO NOT SCALE