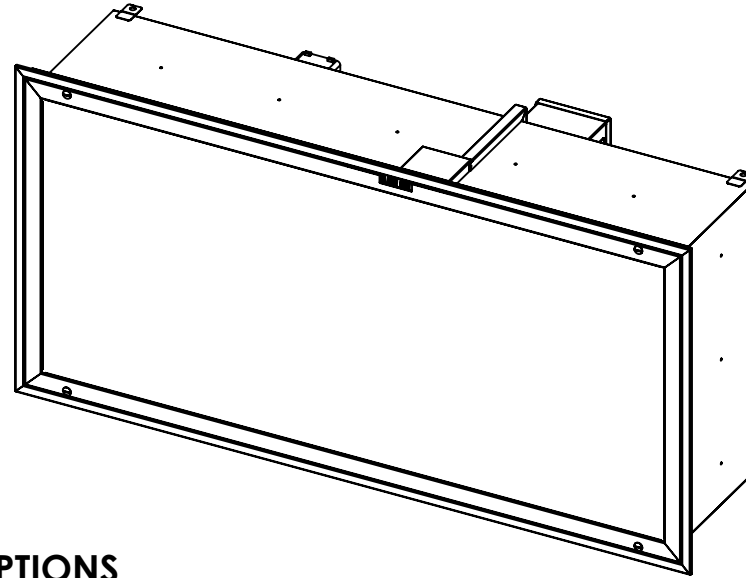


Job Name: \_\_\_\_\_  
 Tag Name: \_\_\_\_\_ Quantity: \_\_\_\_\_  
 Unit Size: \_\_\_\_\_

# STAINLESS STEEL

## SSLFHD-FP

### FAN FILTER UNIT



### OPTIONS

- 304 Stainless Steel **(Standard)**
  - #4 Satin Finish **(Standard)**
- 316 Stainless Steel
  - #4 Satin Finish
- Aluminum
- White Antimicrobial Epoxy Powdercoat Finish
- Other Color \_\_\_\_\_
- Duct Collar Kit
  - Round - Size: \_\_\_\_\_
  - Oval - Size: \_\_\_\_\_
  - Rectangle - Size: \_\_\_\_\_
    - Flanged
- Pre-Filter Kit **(Standard)**
- HEPA Filter - 99.99% on 0.3  $\mu\text{m}$  **(Standard)**
- ULPA Filter - 99.9995% on 0.12  $\mu\text{m}$
- HEPA-Iert Filter Monitor
- Foil Backed Insulation
  - 1.5"
  - 2.25"
- (1 or 2) Pressure Ports
- PAO Challenge Manifold  
(Requires 2 Pressure Ports)

### ELECTRONIC OPTIONS

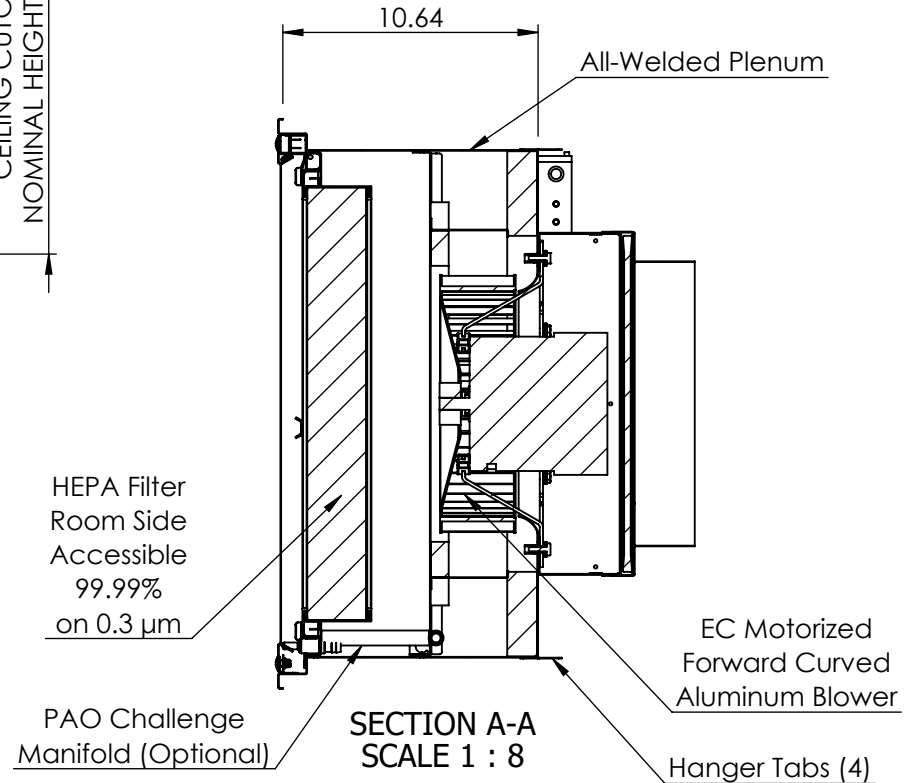
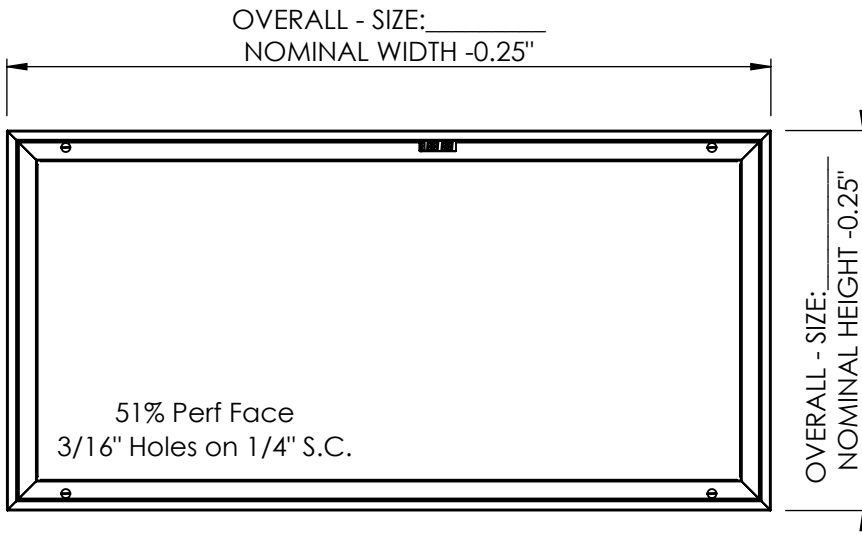
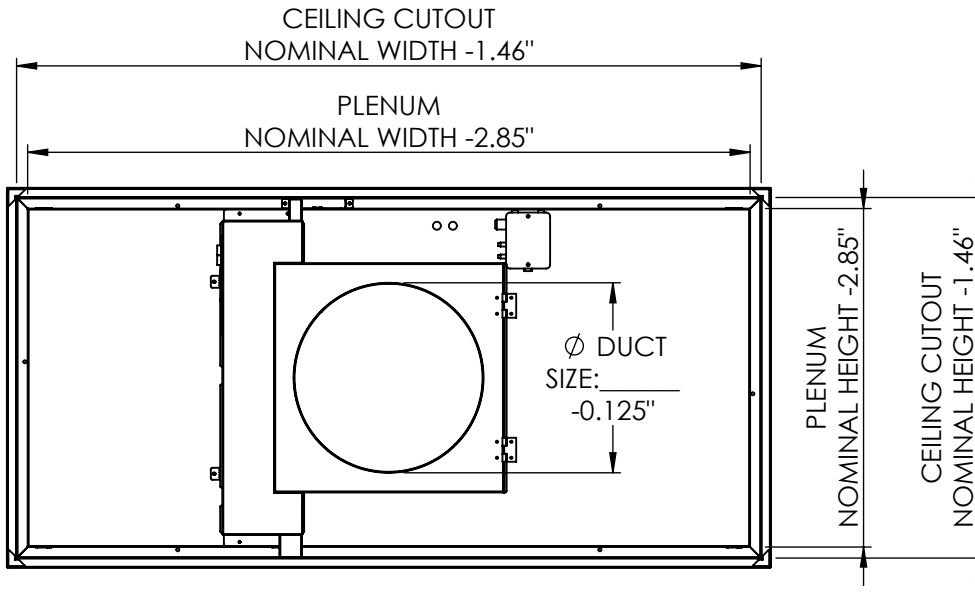
- 120VAC **(Standard)**
- 208VAC
- 240VAC
- 277VAC
- 0 - 10VDC Input
- Adjustable Display on the Electric Box **(Standard)**  
(On Back Of Unit)
- Adjustable Face Control
- Continuous Filter Monitoring
- Basic Wall Control (One Per Unit)
- Touchscreen/Network
- Local Area Network  
Number Of Units \_\_\_\_\_



8701 Elmwood Ave #400  
 Kansas City, MO 63132  
 Ph: 816-231-5522 Fax: 816-231-8437  
 800-247-5746 Email: robhaake@ajmfg.us  
 Please Visit Our Web Site At: www.ajmfg.com

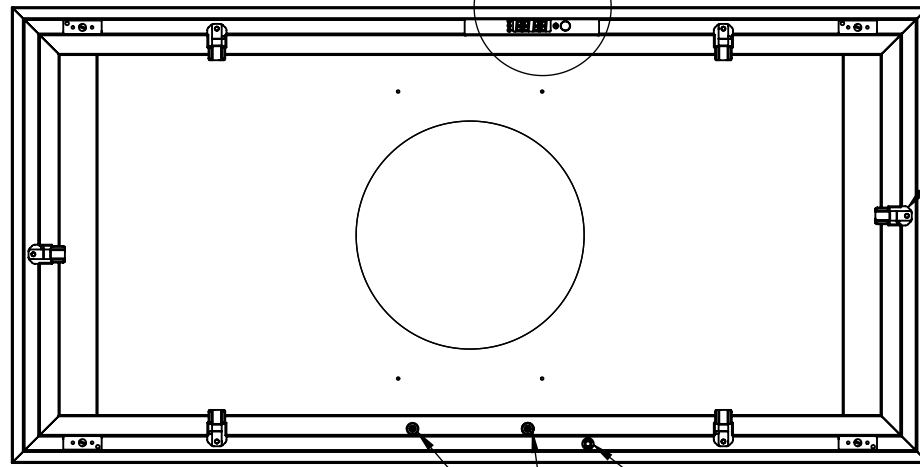
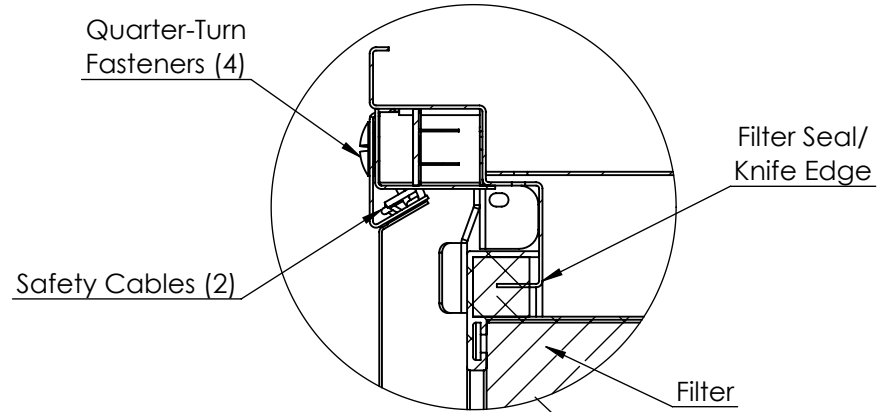
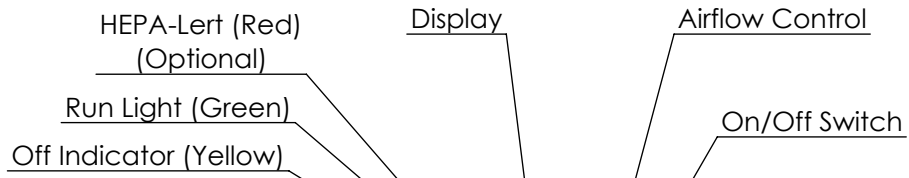
DRAWN SLG	MATERIAL 304SS	JOB NAME	TAG	QTY	REV # A
CHKD	FINISH #4 SATIN	ENGINEER	DRAWING NAME SSLFHD-FP		SHT 1/4
APRVD	SIZE	CONTRACTOR			SCL 1:20
					DO NOT SCALE

# STAINLESS STEEL SSLFHD-FP FAN FILTER UNIT



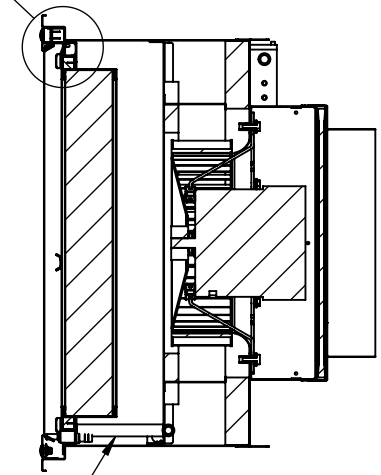
DRAWN SLG	MATERIAL 304SS	JOB NAME	TAG	QTY	REV # A
CHKD	FINISH #4 SATIN	ENGINEER	DRAWING NAME SSLFHD-FP		SHT 2/4
APRVD	SIZE	CONTRACTOR			SCL 1:12
					DO NOT SCALE

# STAINLESS STEEL SSLFHFD-FP FAN FILTER UNIT



FACE FRAME AND HEPA FILTER  
REMOVED FOR CLARITY

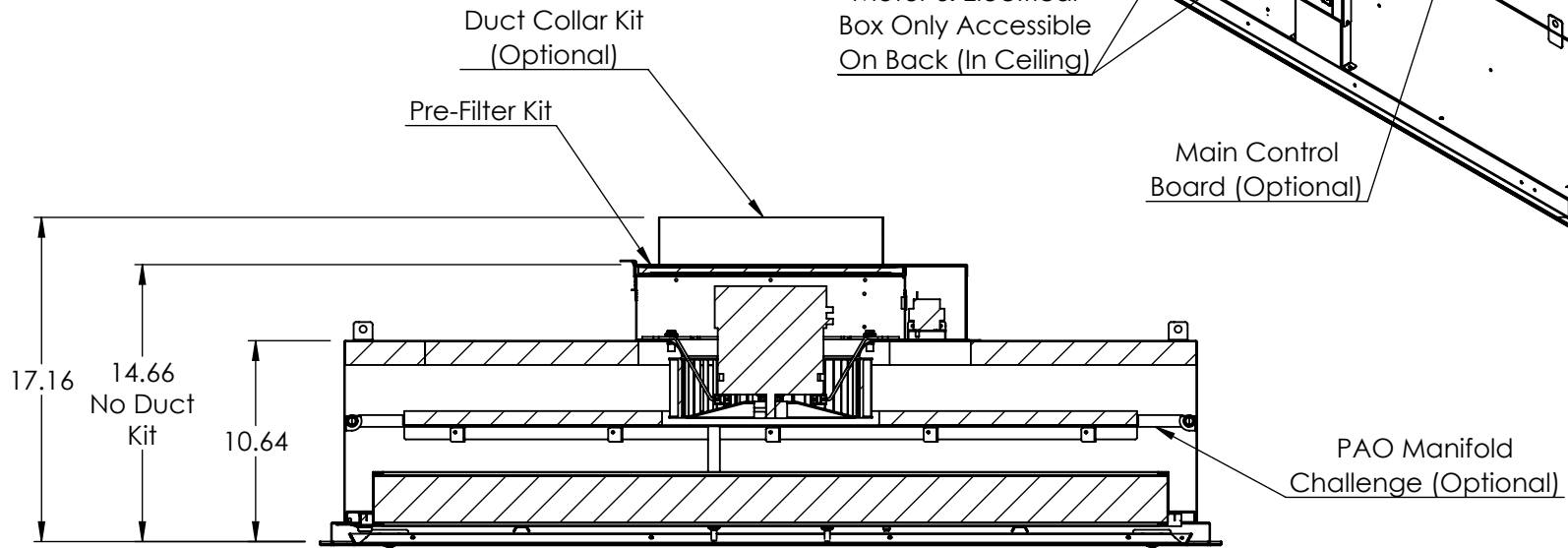
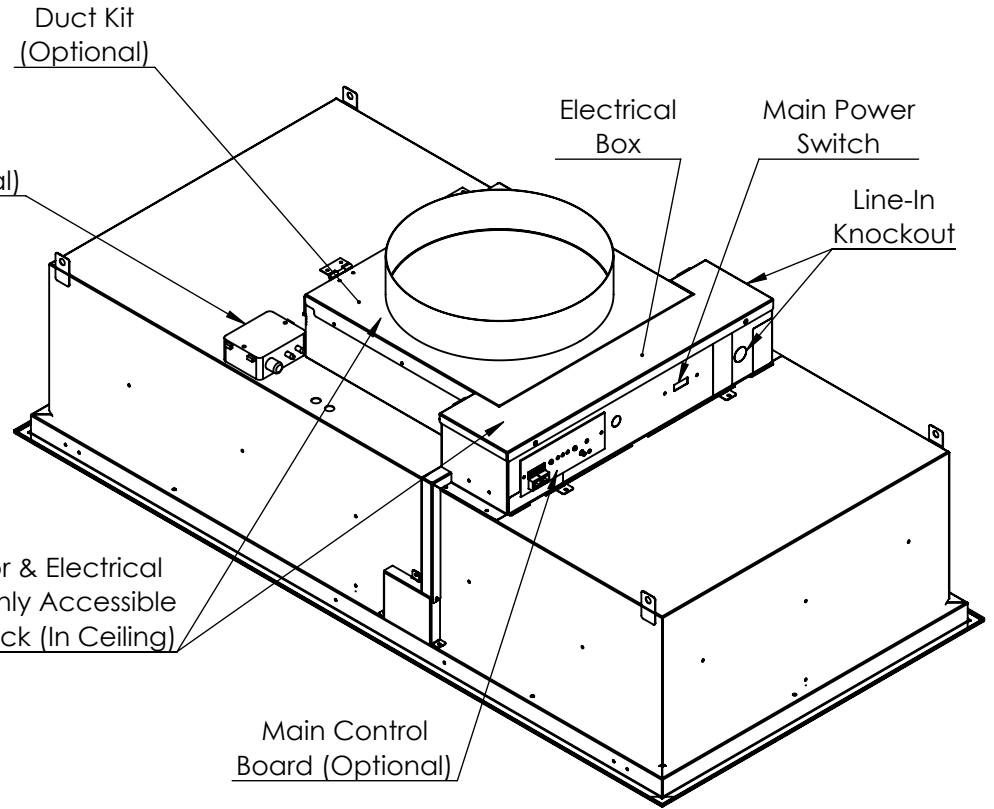
1/2" Pressure Ports  
(1 or 2) (Optional)



8701 Elmwood Ave #400  
Kansas City, MO 63132  
Ph:816-231-5522 Fax:816-231-8437  
800-247-5746 Email:robhaake@ajmfg.us  
Please Visit Our Web Site At: www.ajmfg.com

DRAWN SLG	MATERIAL 304SS	JOB NAME	TAG	QTY	REV # A
CHKD	FINISH #4 SATIN	ENGINEER	DRAWING NAME SSLFHFD-FP		SHT 3/4
APRVD	SIZE	CONTRACTOR			SCL 1:10
					DO NOT SCALE

# STAINLESS STEEL SSLFHD-FP FAN FILTER UNIT



8701 Elmwood Ave #400  
Kansas City, MO 63132  
Ph: 816-231-5522 Fax: 816-231-8437  
800-247-5746 Email: robhaake@ajmfg.us  
Please Visit Our Web Site At: www.ajmfg.com

DRAWN SLG	MATERIAL 304SS	JOB NAME	TAG	QTY	REV # A
CHKD	FINISH #4 SATIN	ENGINEER	DRAWING NAME SSLFHD-FP		SHT 4/4
APRVD	SIZE	CONTRACTOR			SCL 1:10
					DO NOT SCALE