

Job Name: \_\_\_\_\_

Tag Name: \_\_\_\_\_ Quantity: \_\_\_\_\_

Unit Size: \_\_\_\_\_

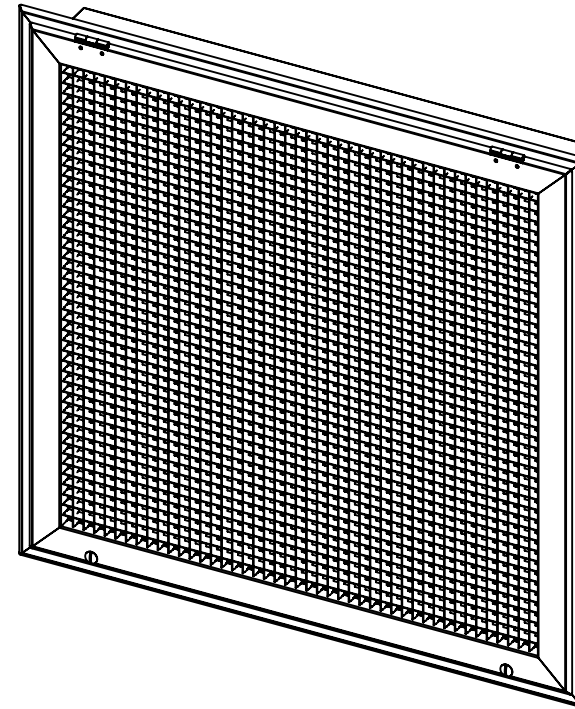
# STAINLESS STEEL

## SSHFG EC

HINGED RETURN FILTER GRILLE  
EGG CRATE

### OPTIONS

- 304 Stainless Steel **(Standard)**
  - #4 Satin Finish **(Standard)**
- 316 Stainless Steel
  - #4 Satin Finish
- White Antimicrobial Epoxy Powdercoat Finish
- Other Color: \_\_\_\_\_
- Hinge Location: Top **(Standard)**, Bottom, Left or Right
- Top Inlet - (Select Shape/Size)
- Round Inlet - Size: \_\_\_\_\_
- Square Inlet - Size: \_\_\_\_\_
- Rectangle Inlet - Size: \_\_\_\_\_
  - Flanged
- S-44 Opposed Blade Damper
  - Attached to Grille
  - Attached to Filter Frame
- Filter - Depth: \_\_\_\_\_
- Channel Frame
- 1" x 1" x 1" Core
- 45deg Angle Blades

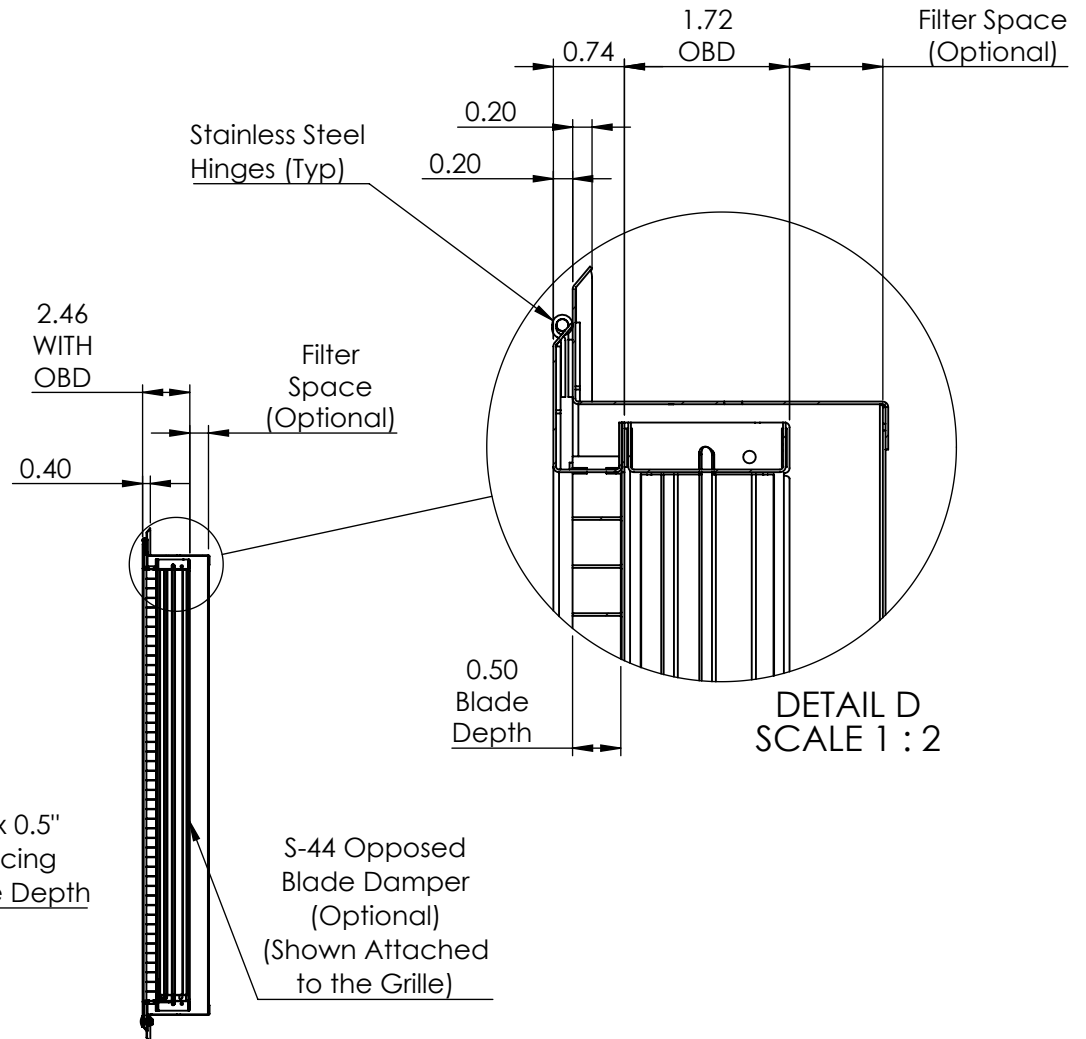
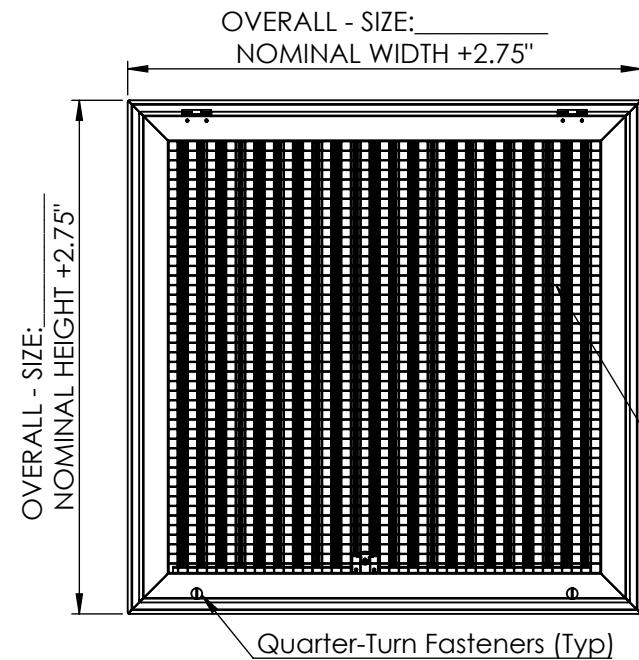
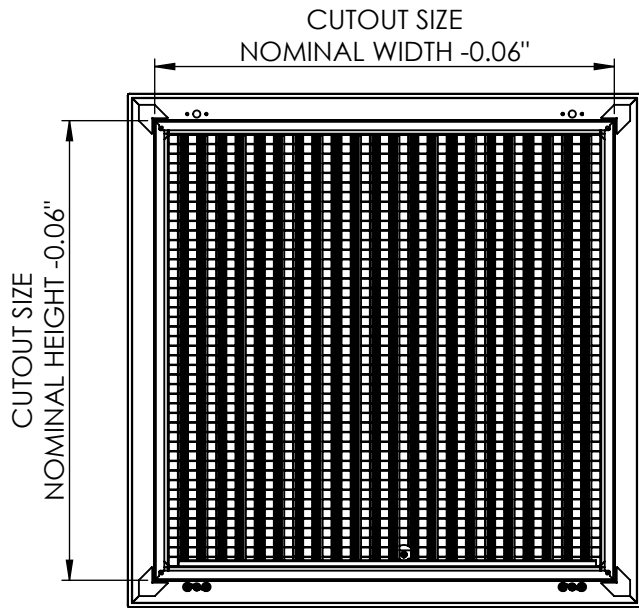


8701 Elmwood Ave #400  
Kansas City, MO 63132  
Ph: 816-231-5522 Fax: 816-231-8437  
800-247-5746 Email: robhaake@ajmfg.us  
Please Visit Our Web Site At: www.ajmfg.com

DRAWN SLG	MATERIAL 304SS	JOB NAME	TAG	QTY	REV # A
CHKD	FINISH #4 SATIN	ENGINEER	DRAWING NAME SSHFG EC		SHT 1/2
APRVD	SIZE	CONTRACTOR			SCL 1:8
					DO NOT SCALE

# SSHFG EC STAINLESS STEEL

## HINGED RETURN FILTER GRILLE EGG CRATE



Standard:  
0.5" x 0.5" x 0.5"  
Blade Spacing  
and Blade Depth

SECTION A-A



8701 Elmwood Ave #400  
Kansas City, MO 63132  
Ph:816-231-5522 Fax:816-231-8437  
800-247-5746 Email:robhaake@ajmfg.us  
Please Visit Our Web Site At: www.ajmfg.com

DRAWN SLG	MATERIAL 304SS	JOB NAME	TAG	QTY	REV # A
CHKD	FINISH #4 SATIN	ENGINEER	DRAWING NAME SSHFG EC		SHT 2/2
APRVD	SIZE	CONTRACTOR			SCL 1:10
					DO NOT SCALE