

Job Name: _____

Tag Name: _____ Quantity: _____

Unit Size: _____

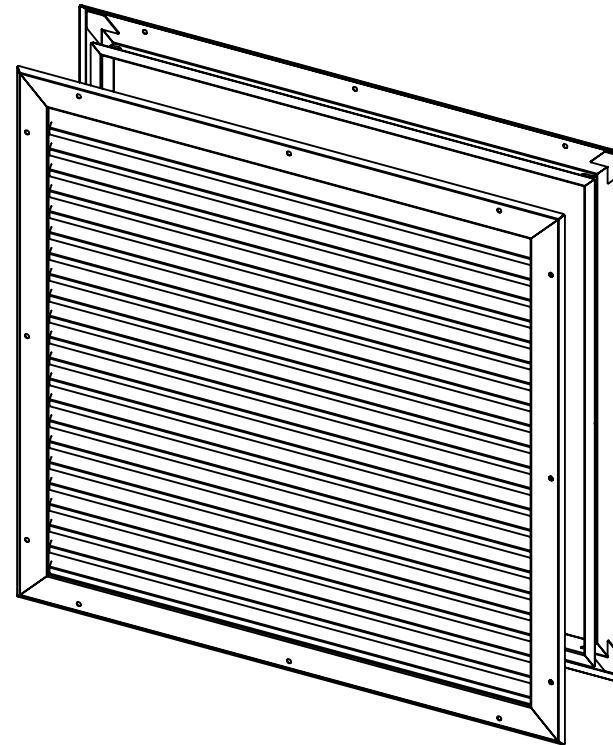
STAINLESS STEEL

SSG w/Auxiliary Frame

LOUVERED DOOR GRILLE
SURFACE MOUNT

OPTIONS

- 304 Stainless Steel **(Standard)**
 - #4 Satin Finish **(Standard)**
- 316 Stainless Steel
 - #4 Satin Finish
- White Antimicrobial Epoxy Powdercoat Finish
- Other Color: _____
- 1.75" Door Thickness **(Standard)**
- Custom Door Thickness (1.5"Min to 2.25"Max)
 - Thickness: _____

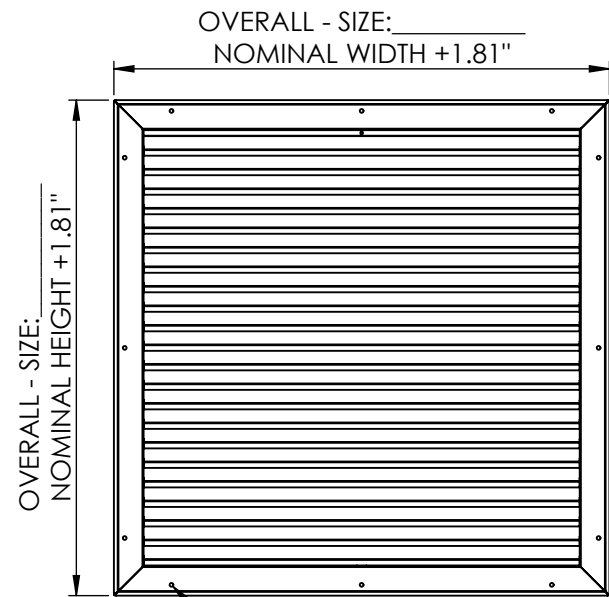
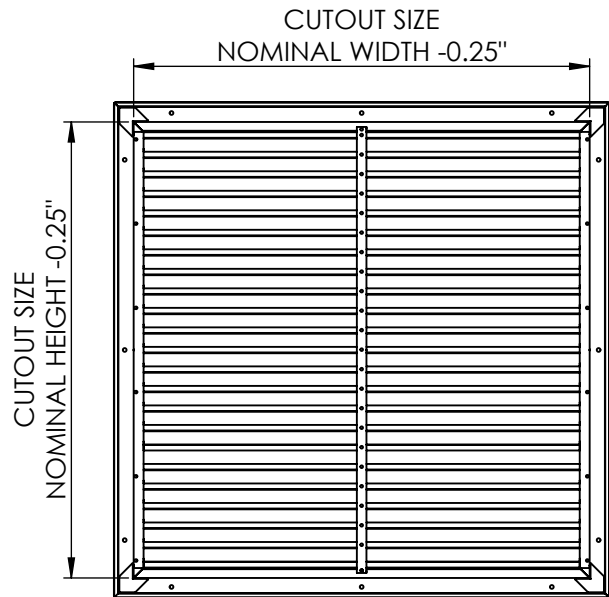


8701 Elmwood Ave #400
Kansas City, MO 63132
Ph: 816-231-5522 Fax: 816-231-8437
800-247-5746 Email: robhaake@ajmfg.us
Please Visit Our Web Site At: www.ajmfg.com

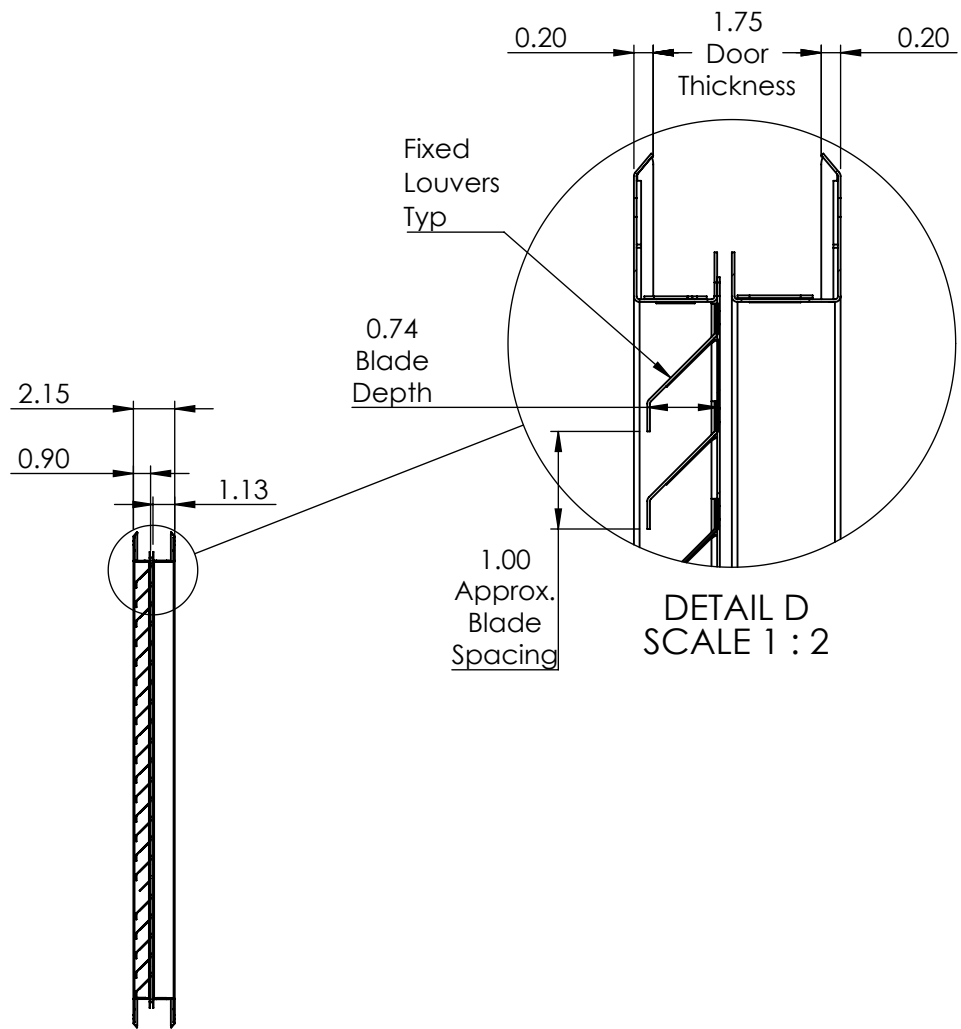
DRAWN SLG	MATERIAL 304SS	JOB NAME	TAG	QTY	REV # A
CHKD	FINISH #4 SATIN	ENGINEER	DRAWING NAME SSG-AUXILIARY FRAME		SHT 1/2
APRVD	SIZE	CONTRACTOR			SCL 1:8
					DO NOT SCALE

STAINLESS STEEL SSG w/Auxiliary Frame

LOUVERED DOOR GRILLE
SURFACE MOUNT



Countersunk Screw Holes (Typ)



SECTION A-A



8701 Elmwood Ave #400
Kansas City, MO 63132
Ph:816-231-5522 Fax:816-231-8437
800-247-5746 Email:robhaake@ajmfg.us
Please Visit Our Web Site At: www.ajmfg.com

DRAWN SLG	MATERIAL 304SS	JOB NAME	TAG	QTY	REV # A
CHKD	FINISH #4 SATIN	ENGINEER	DRAWING NAME SSG-AUXILIARY FRAME		SHT 2/2
APRVD	SIZE	CONTRACTOR			SCL 1:10
					DO NOT SCALE