

Job Name: _____

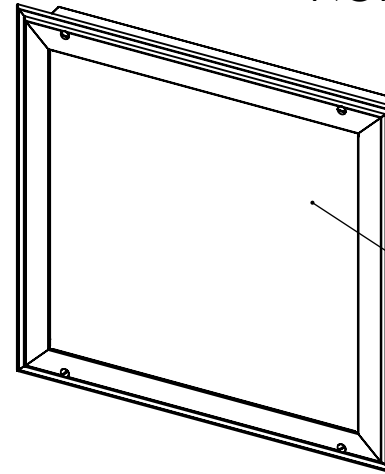
Tag Name: _____ Quantity: _____

Unit Size: _____

STAINLESS STEEL

SSFG LATTICE

NON-HINGED FILTER GRILLE

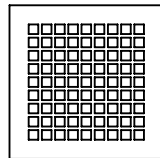


Lattice Pattern will be on this Surface

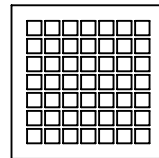
OPTIONS

- 304 Stainless Steel (**Standard**)
 - #4 Satin Finish (**Standard**)
- 316 Stainless Steel
 - #4 Satin Finish
- White Antimicrobial Epoxy Powdercoat Finish
- Other Color: _____
- Top Inlet - (Select Shape/Size)
- Round Inlet - Size: _____
- Square Inlet - Size: _____
- Rectangle Inlet - Size: _____
 - Flanged
- S-44 Opposed Blade Damper
 - Attached to Grille
 - Attached to Filter Frame
- Filter - Depth: _____

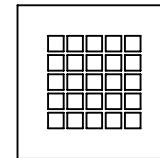
Lattice Pattern Options



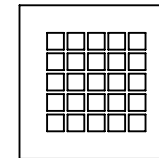
1/2" Squares (LA)



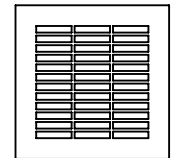
3/4" Squares (LB)



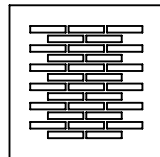
13/16" Squares (LC)



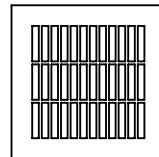
7/8" Squares (LD)



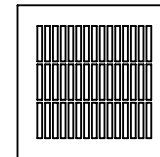
Design B (LE)
Horizontal
1.844" x 0.344"



Design C (LF)
Horizontal - Stagger
1.844" x 0.344"



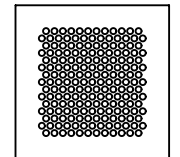
Design BR (LG)
Vertical
1.844" x 0.344"



Design E (LH)
Vertical
1.844" x 0.25"



See Website
for Decorative
Patterns (LI)



Ø 5/16" on 7/16"
Staggered Centers
Design (LJ)

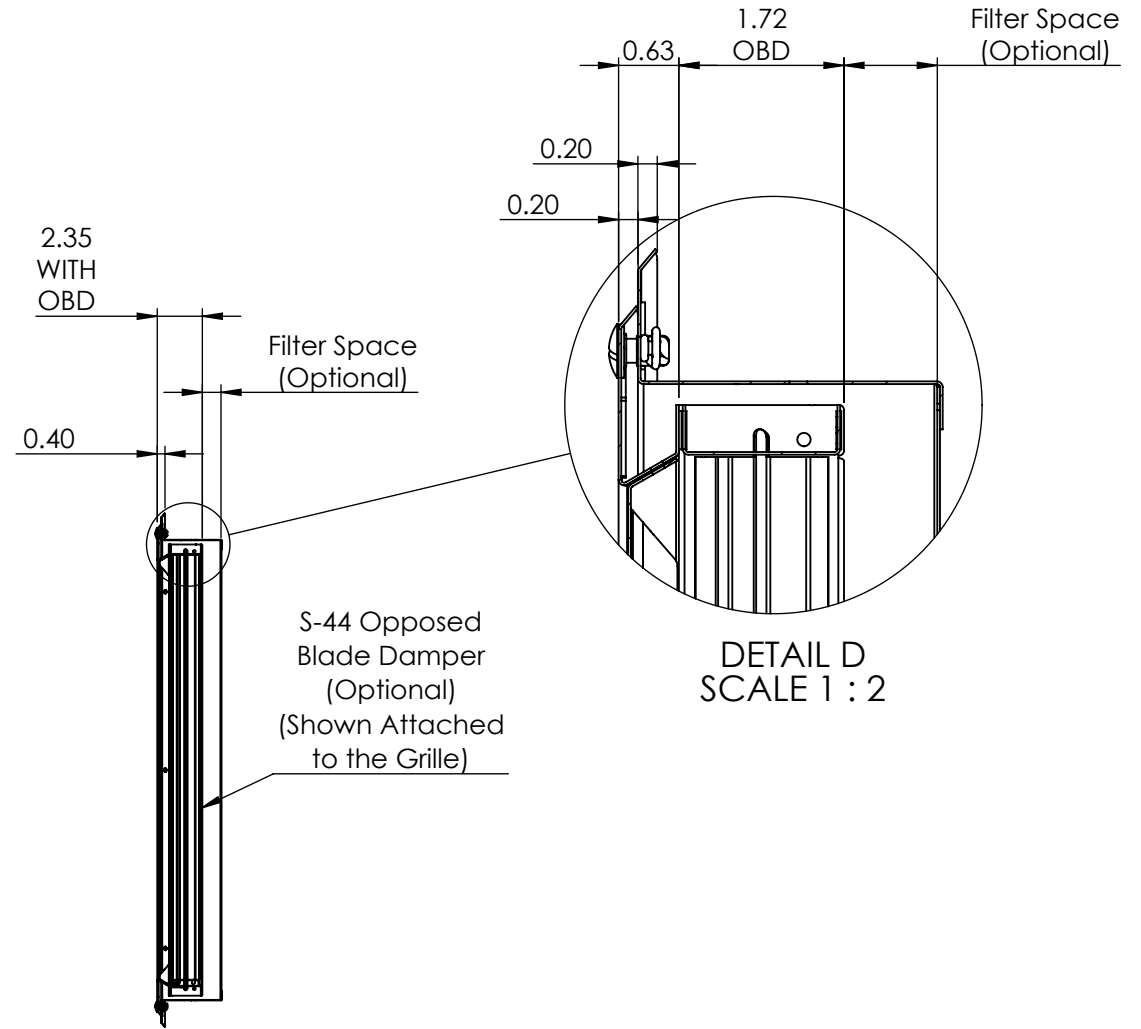
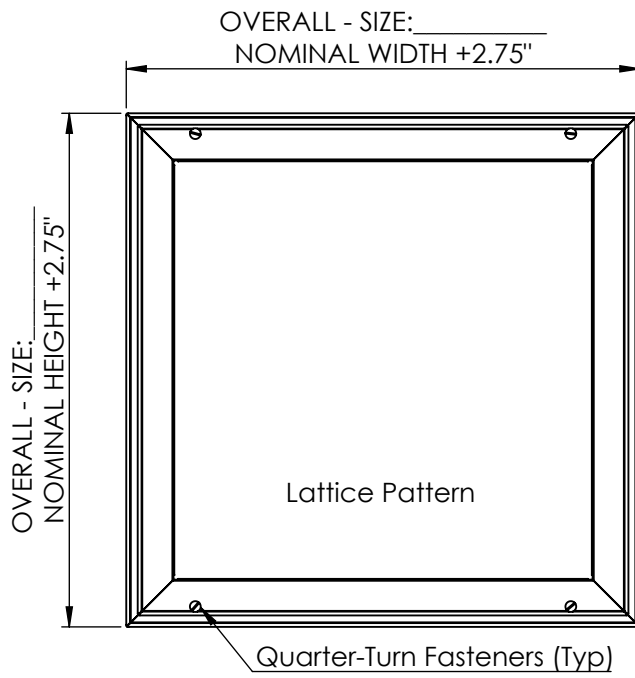
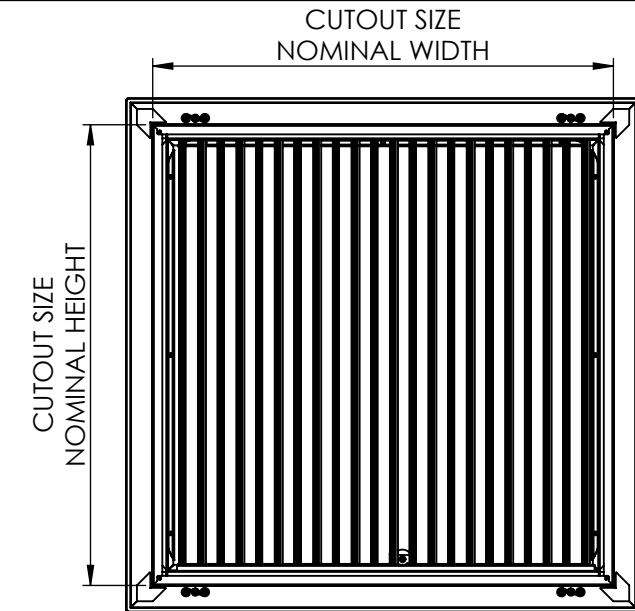


8701 Elmwood Ave #400
Kansas City, MO 63132
Ph: 816-231-5522 Fax: 816-231-8437
800-247-5746 Email: robhaake@ajmfg.us
Please Visit Our Web Site At: www.ajmfg.com

DRAWN SLG	MATERIAL 304SS	JOB NAME	TAG	QTY	REV # A
CHKD	FINISH #4 SATIN	ENGINEER	DRAWING NAME SSFG LATTICE		SHT 1/2
APRVD	SIZE	CONTRACTOR			SCL 1:12
					DO NOT SCALE

STAINLESS STEEL SSFG LATTICE

NON-HINGED FILTER GRILLE



SECTION A-A



8701 Elmwood Ave #400
Kansas City, MO 63132
Ph:816-231-5522 Fax:816-231-8437
800-247-5746 Email:robhaake@ajmfg.us
Please Visit Our Web Site At: www.ajmfg.com

DRAWN SLG	MATERIAL 304SS	JOB NAME	TAG	QTY	REV # A
CHKD	FINISH #4 SATIN	ENGINEER	DRAWING NAME SSFG LATTICE		SHT 2/2
APRVD	SIZE	CONTRACTOR			SCL 1:10
					DO NOT SCALE