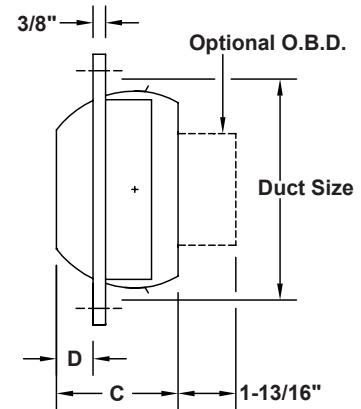
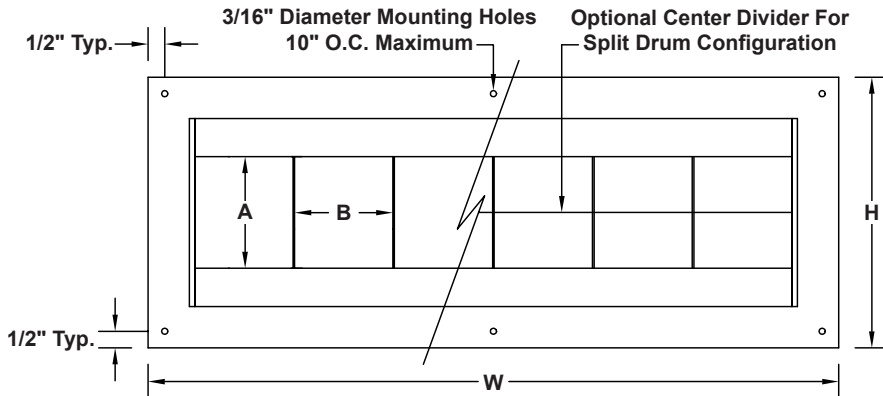


STAINLESS STEEL DRUM LOUVERS - SSDRL


18 Ga. Type 304 with Satin Polish (Type 316 Available)

Drum rotatable from 30° up to 30° down, blades individually adjustable.



Qty.	Listed Size	Duct Size	W	H	A	B	C	D	Blade Qty.	Type S.S.	Opt. O.B.D.	Opt. Split Drum	Tag
	9" x 6"	9-11/16" x 6-7/16"	11-11/16"	8-3/16"	3.375"	3"	3.674"	1.121"	2				
	12" x 6"	12-11/16" x 6-7/16"	14-11/16"						3				
	18" x 6"	18-11/16" x 6-7/16"	20-11/16"						5				
	24" x 6"	24-11/16" x 6-7/16"	26-11/16"						7				
	30" x 6"	30-11/16" x 6-7/16"	32-11/16"						9				
	36" x 6"	36-11/16" x 6-7/16"	38-11/16"						11				
	48" x 6"	48-11/16" x 6-7/16"	50-11/16"						15				
	60" x 6"	60-11/16" x 6-7/16"	62-11/16"						19				
	20" x 10"	20-11/16" x 10-3/16"	22-11/16"	11-15/16"	5.875"	5"	6.129"	2.191"	3				
	25" x 10"	25-11/16" x 10-3/16"	27-11/16"						4				
	30" x 10"	30-11/16" x 10-3/16"	32-11/16"						5				
	35" x 10"	35-11/16" x 10-3/16"	37-11/16"						6				
	40" x 10"	40-11/16" x 10-3/16"	42-11/16"						7				
	50" x 10"	50-11/16" x 10-3/16"	52-11/16"						9				
	60" x 10"	60-11/16" x 10-3/16"	62-11/16"						11				
	70" x 10"	70-11/16" x 10-3/16"	72-11/16"						13				
	20" x 12"	20-11/16" x 12-3/16"	22-11/16"	13-15/16"	6.875"	5"	6.070"	2.796"	3				
	30" x 12"	30-11/16" x 12-3/16"	32-11/16"						5				
	40" x 12"	40-11/16" x 12-3/16"	42-11/16"						7				
	50" x 12"	50-11/16" x 12-3/16"	52-11/16"						9				
	60" x 12"	60-11/16" x 12-3/16"	62-11/16"						11				
	70" x 12"	70-11/16" x 12-3/16"	72-11/16"						13				
	15" x 15"	15-11/16" x 15-1/4"	17-11/16"	17"	9.813"	5"	8.195"	3.329"	2				
	20" x 15"	20-11/16" x 15-1/4"	22-11/16"						3				
	25" x 15"	25-11/16" x 15-1/4"	27-11/16"						4				
	30" x 15"	30-11/16" x 15-1/4"	32-11/16"						5				
	40" x 15"	40-11/16" x 15-1/4"	42-11/16"						7				
	50" x 15"	50-11/16" x 15-1/4"	52-11/16"						9				
	60" x 15"	60-11/16" x 15-1/4"	62-11/16"						11				
	70" x 15"	70-11/16" x 15-1/4"	72-11/16"						13				

To maintain our policy of continuous product improvement, we reserve the right to change prices, specifications, ratings or dimensions without notice or obligation.

Project				Location			
Engineer							
Architect			Dwg. No.	SSDRL			
Contractor			Date	05/09			