

STAINLESS STEEL

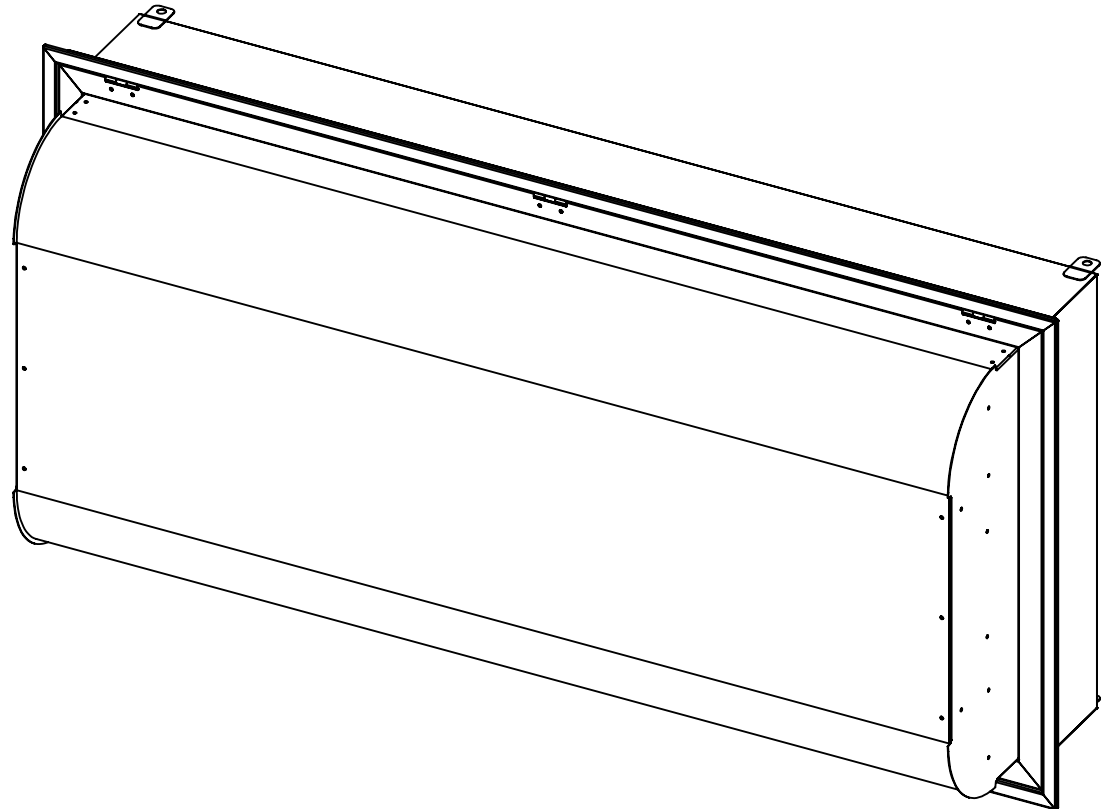
HRDP

HINGED RADIAL PATTERN DIFFUSER 2-WAY

Job Name: _____
 Tag Name: _____ Quantity: _____
 Unit Size: _____

OPTIONS

- 304 Stainless Steel **(Standard)**
 - #4 Satin Finish **(Standard)**
- 316 Stainless Steel
 - #4 Satin Finish
- Aluminum
- White Antimicrobial Epoxy Powdercoat Finish
- Other Color _____
- Top Inlet - (Select Shape/Size) **(Standard)**
- Side Inlet - (Select Shape/Size)
- End Inlet - (Select Shape/Size)
- Round Inlet - Size: _____ **(Standard)**
- Rectangle Inlet - Size: _____
 - Flanged
- Oval Inlet - Size: _____
- Butterfly Damper
- Bowtie Damper
- Remote Damper
- Foil Backed Insulation
 - 1.5"
 - 2.25"



8701 Elmwood Ave #400
 Kansas City, MO 63132
 Ph: 816-231-5522 Fax: 816-231-8437
 800-247-5746 Email: robhaake@ajmfg.us
 Please Visit Our Web Site At: www.ajmfg.com

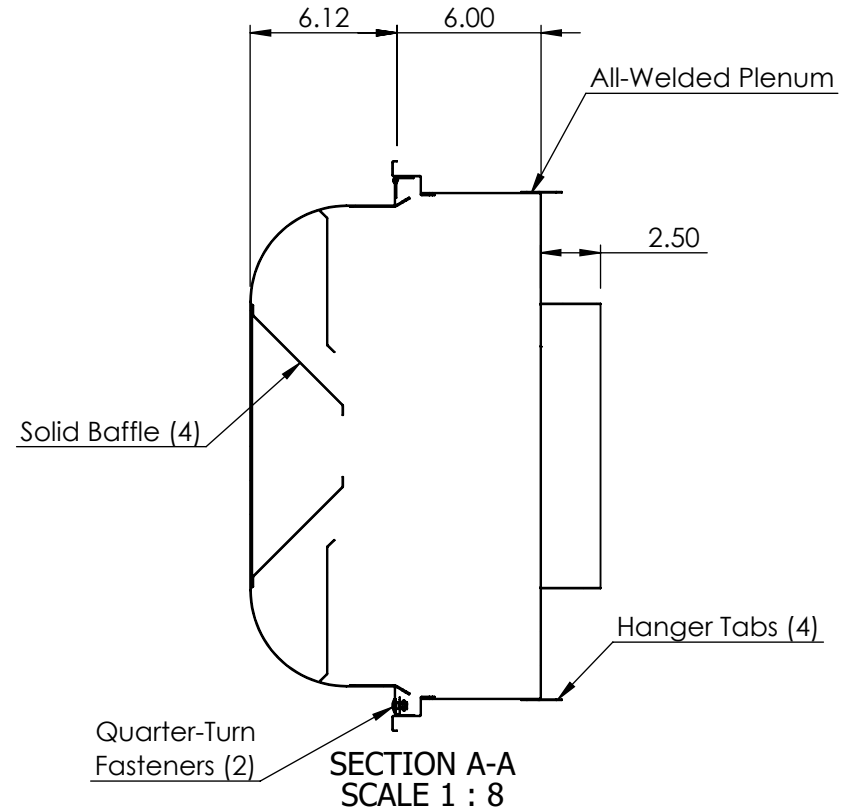
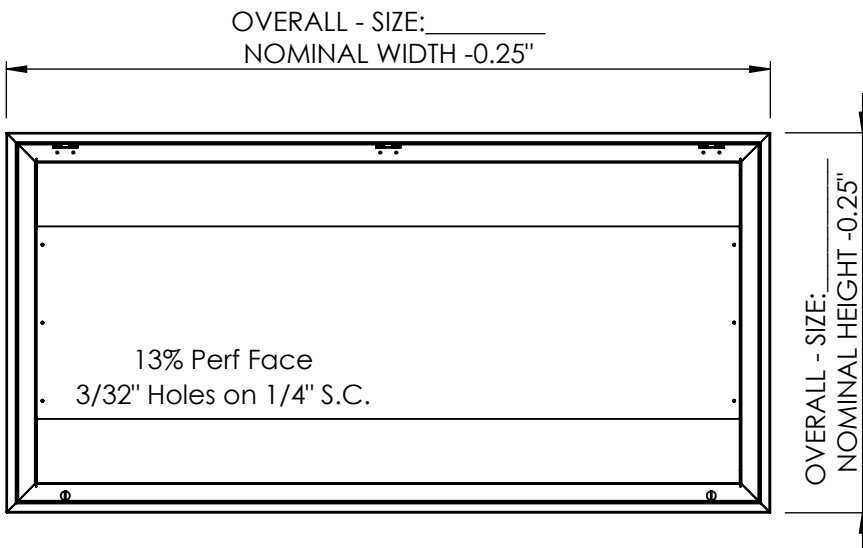
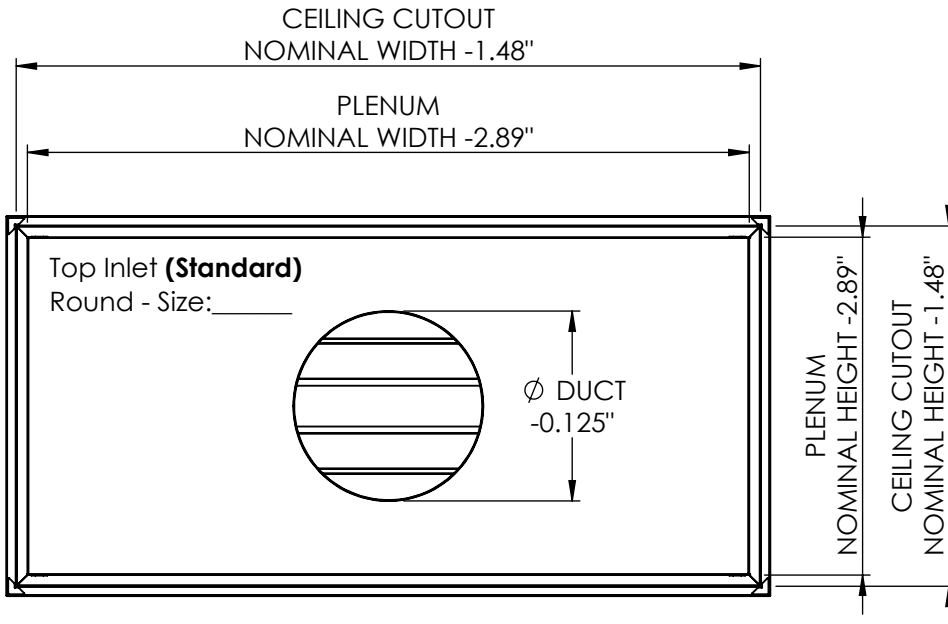
| | | | | | |
|--------------|--------------------|------------|------------------------|-----|--------------|
| DRAWN SLG | MATERIAL 304SS | JOB NAME | TAG | QTY | REV # A |
| CHKD | FINISH #4 SATIN | ENGINEER | DRAWING NAME HRDP-2 | | SHT 1/3 |
| APRVD | SIZE | CONTRACTOR | | | SCL 1:8 |
| | | | | | DO NOT SCALE |

STAINLESS STEEL

HRDP

HINGED RADIAL PATTERN DIFFUSER

2-WAY



8701 Elmwood Ave #400
Kansas City, MO 63132
Ph: 816-231-5522 Fax: 816-231-8437
800-247-5746 Email: robhaake@ajmfg.us
Please Visit Our Web Site At: www.ajmfg.com

| | | | | | |
|--------------|--------------------|------------|------------------------|-----|--------------|
| DRAWN SLG | MATERIAL 304SS | JOB NAME | TAG | QTY | REV # A |
| CHKD | FINISH #4 SATIN | ENGINEER | DRAWING NAME HRDP-2 | | SHT 2/3 |
| APRVD | SIZE | CONTRACTOR | | | SCL 1:12 |
| | | | | | DO NOT SCALE |

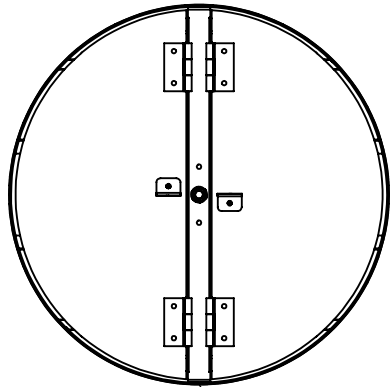
STAINLESS STEEL

HRDP

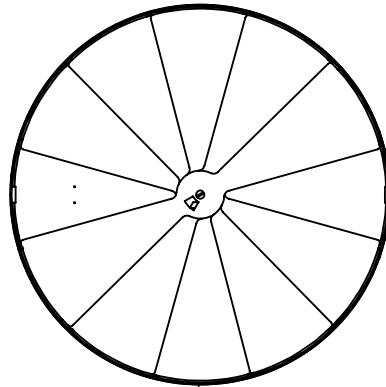
HINGED RADIAL PATTERN DIFFUSER

2-WAY

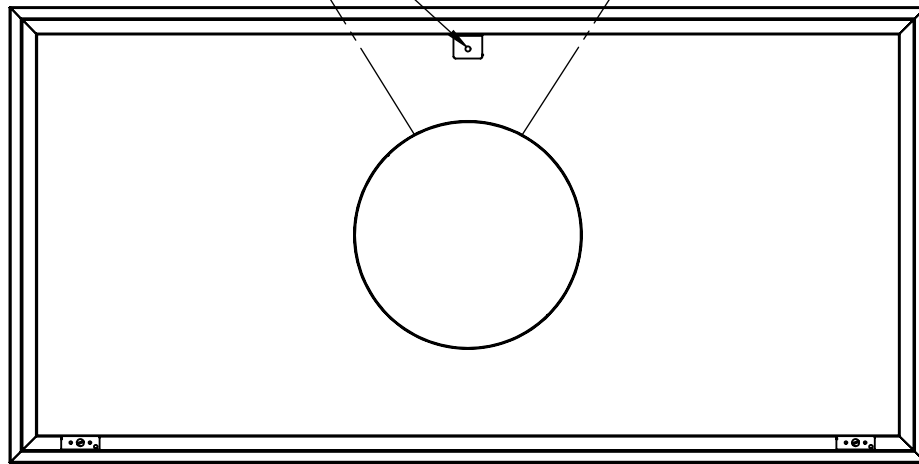
Butterfly Damper
(Optional)



Bowtie Damper
(Optional)

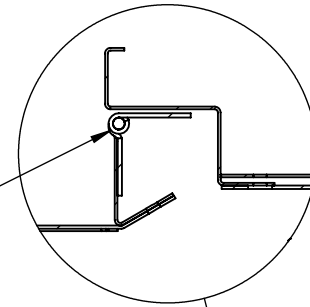


Remote Damper
Actuator (Optional)

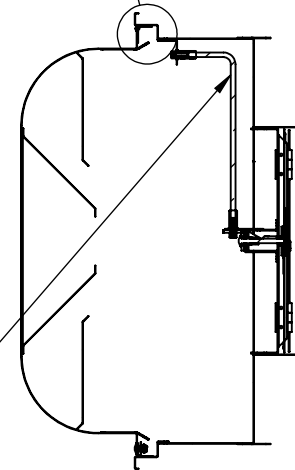


FACE FRAME AND BAFFLES
REMOVED FOR CLARITY

Stainless Steel
Hinges (3)



Remote Damper
Actuator (Optional)



SECTION A-A



8701 Elmwood Ave #400
Kansas City, MO 63132
Ph: 816-231-5522 Fax: 816-231-8437
800-247-5746 Email: robhaake@ajmfg.us
Please Visit Our Web Site At: www.ajmfg.com

| | | | | | |
|--------------|--------------------|------------|------------------------|-----|--------------|
| DRAWN SLG | MATERIAL 304SS | JOB NAME | TAG | QTY | REV # A |
| CHKD | FINISH #4 SATIN | ENGINEER | DRAWING NAME HRDP-2 | | SHT 3/3 |
| APRVD | SIZE | CONTRACTOR | | | SCL 1:10 |
| | | | | | DO NOT SCALE |