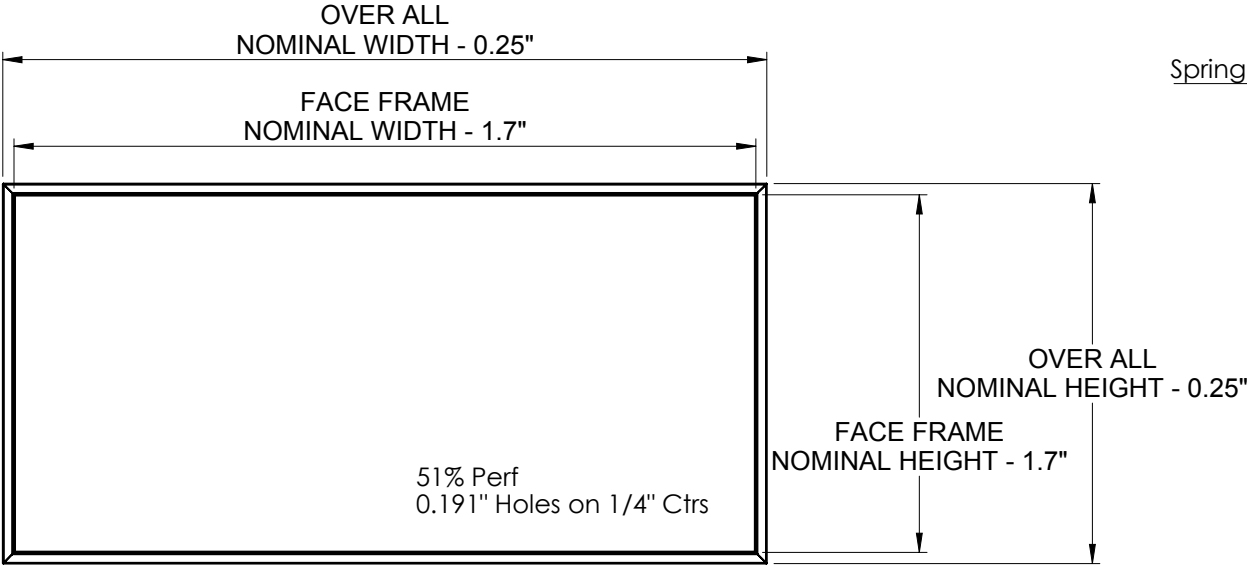
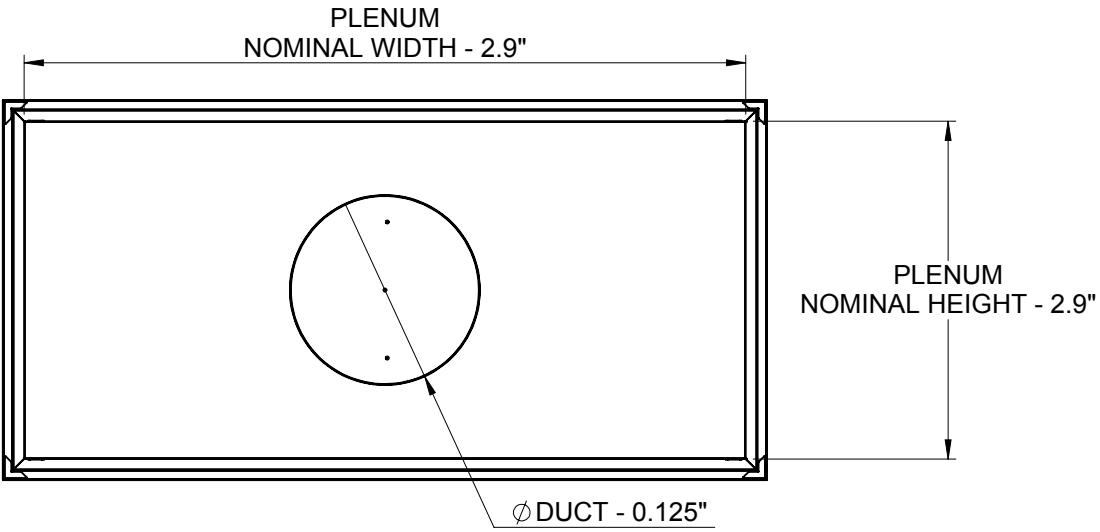


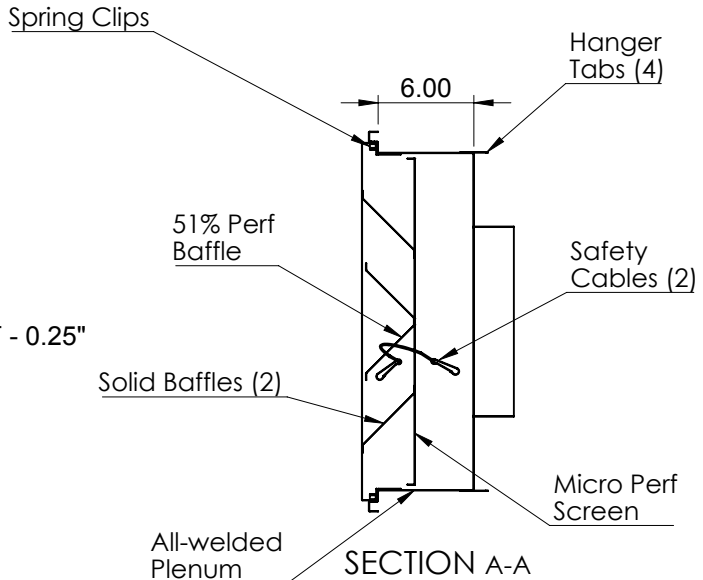
FLAT RADIAL DIFFUSER

2-WAY FULL FACE



OPTIONS

- 316 Stainless Steel
- Aluminum
- White Epoxy Powdercoat Finish
 - other color _____
- Side Inlet
- End Inlet
- Rectangle Inlet _____
- Oval Inlet _____
- Butterfly Damper
- Radial Damper
- Remote Damper



AJMFG
 PO BOX 270320
 3601 EAST 18 STREET
 KANSAS CITY MO 64127-0320
 PH:816-231-8522 FAX:816-231-8437
 800-247-5746 EMAIL:SALES@AJMFG.COM
 VISIT OUR WEB SITE AT:WWW.AJMFG.COM

| | | | | | | | |
|---|---|--------|------------|----------|-----|-----|--------------|
| FRD | DRAWN | HT | MATERIAL | JOB NAME | TAG | QTY | REV # |
| | CHKD | FINISH | ENGINEER | | | | SHT 1/1 |
| | APRVD | SIZE | CONTRACTOR | | | | SCL 1:12 |
| | <small>DIMENSIONS ARE IN INCHES/LBS UNLESS OTHERWISE SPECIFIED. DIMENSIONS IN PARENTHESIS ARE FOR REFERENCE ONLY. TOLERANCES: ANGULAR, MACH ± .1°; BEND ± .1°; TWO DECIMALS ± .03; THREE DECIMAL ± .010; THREE DECIMALS FOR LASER ± .005. REMOVE ALL SHARP EDGES AND BURRS.</small> | | | | | | DO NOT SCALE |
| <small>THIS DRAWING INFORMATION IS THE SOLE PROPERTY OF A-J MFG. CO., INC. ANY REPRODUCTION IN PART OR WHOLE WITHOUT THE WRITTEN PERMISSION OF A-J MFG. CO., INC. IS PROHIBITED. PROPRIETARY AND CONFIDENTIAL</small> | | | | | | | |