

Job Name: _____

Tag Name: _____ Quantity: _____

Unit Size: _____

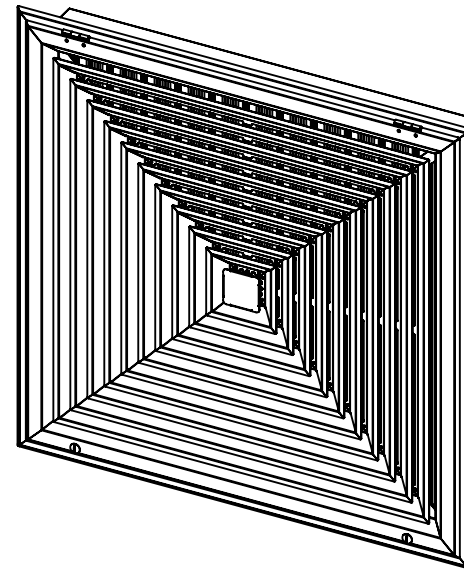
SSHFG CLCD STEEL

HINGED FILTER GRILLE

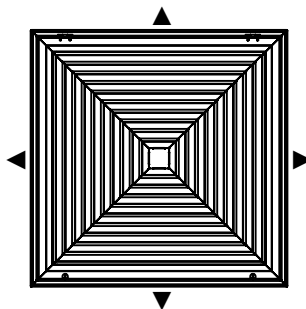
CONCENTRIC LOUVERED CEILING DIFFUSER

OPTIONS

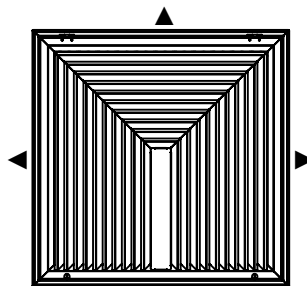
- 304 Stainless Steel **(Standard)**
 - #4 Satin Finish **(Standard)**
- 316 Stainless Steel
 - #4 Satin Finish
- White Antimicrobial Epoxy Powdercoat Finish
- Other Color: _____
- Hinge Location: Top **(Standard)**, Bottom, Left or Right
- Top Inlet - (Select Shape/Size)
- Round Inlet - Size: _____
- Square Inlet - Size: _____
- Rectangle Inlet - Size: _____
 - Flanged
- S-44 Opposed Blade Damper
 - Attached to Grille
 - Attached to Filter Frame
- Filter - Depth: _____



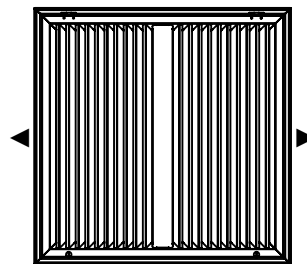
Airflow Direction Options



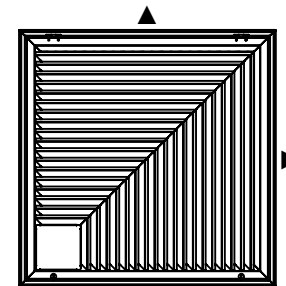
4-Way



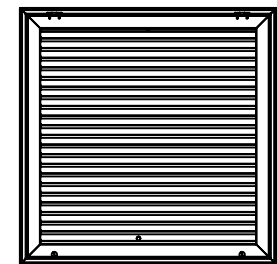
3-Way



2-Way Opposite



2-Way Corner



1-Way Order SSG

* To maintain AJ Manufacturing's policy of continuous product improvement, we reserve the right to change any information concerning product or pricing without notice or obligation *

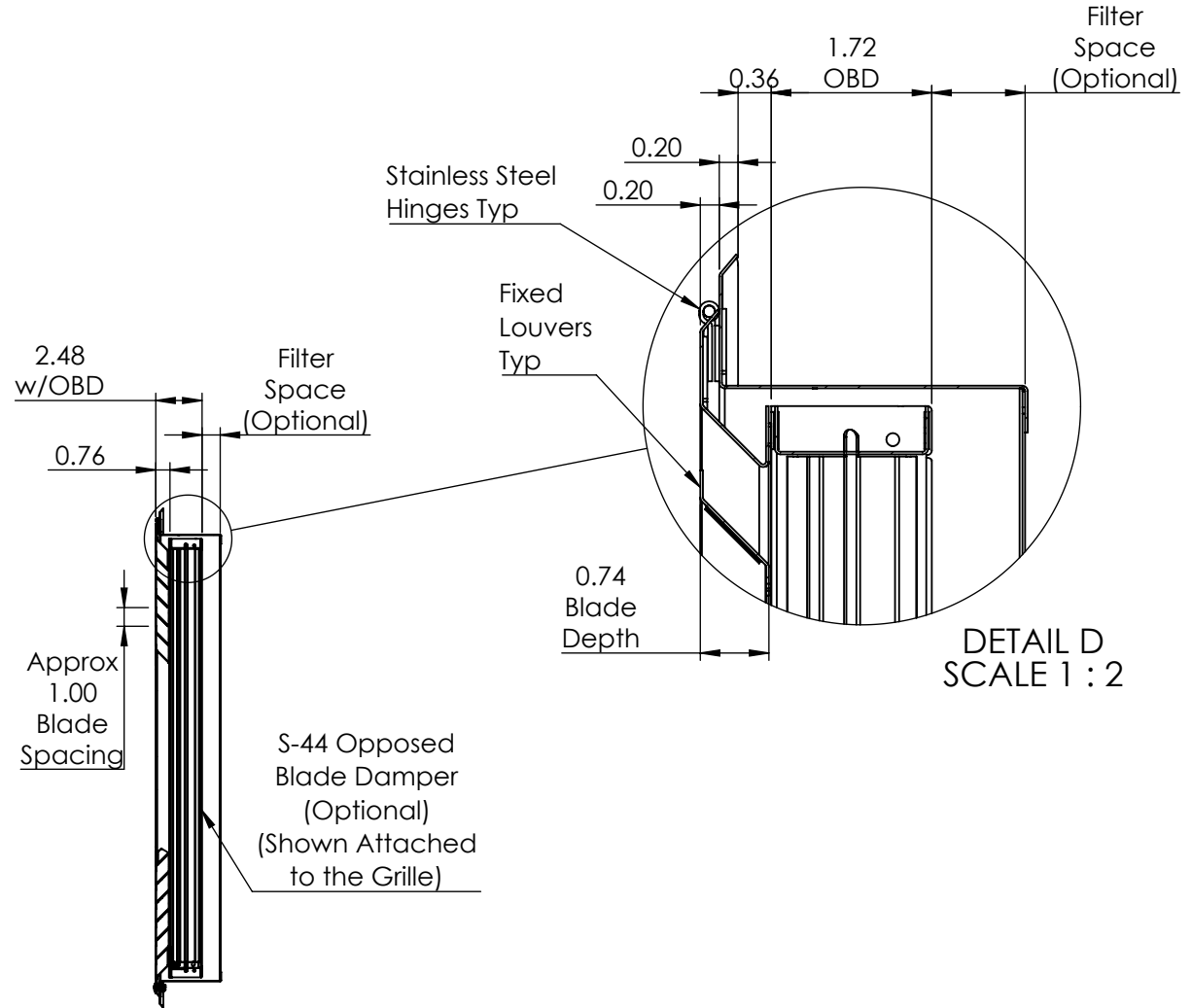
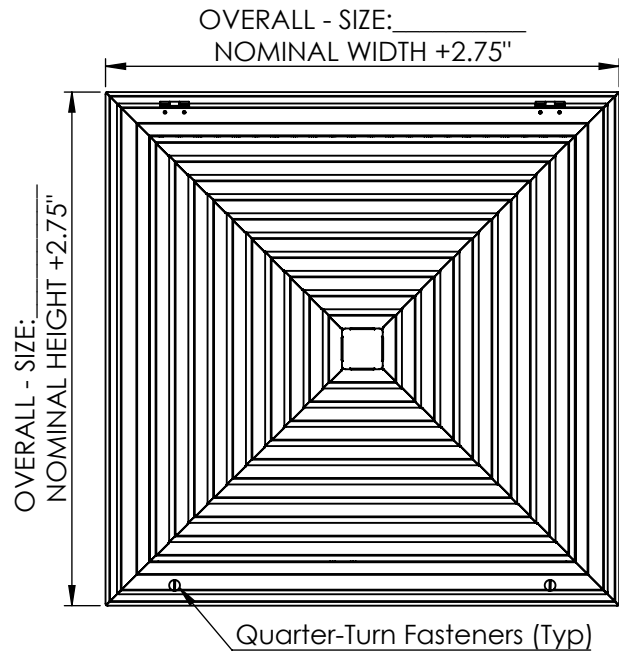
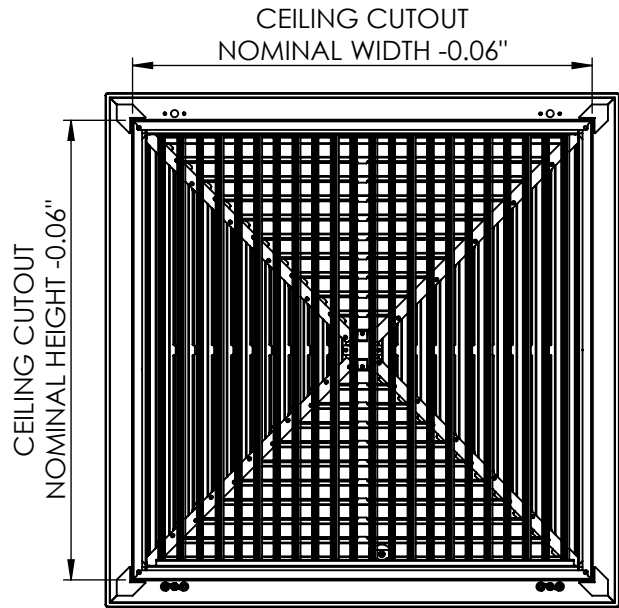


8701 Elmwood Ave #400
 Kansas City, MO 63132
 Ph: 816-231-5522 Fax: 816-231-8437
 800-247-5746 Email: robhaake@ajmfg.us
 Please Visit Our Web Site At: www.ajmfg.com

DRAWN SLG	MATERIAL 304SS	JOB NAME	TAG	QTY	REV # A
CHKD	FINISH #4 SATIN	ENGINEER	DRAWING NAME SSHFG-CLCD		SHT 1/2
APRVD	SIZE	CONTRACTOR			SCL 1:8
					DO NOT SCALE

STAINLESS STEEL

SSHFG CLCD HINGED FILTER GRILLE CONCENTRIC LOUVERED CEILING DIFFUSER



SECTION A-A



8701 Elmwood Ave #400
Kansas City, MO 63132
Ph:816-231-5522 Fax:816-231-8437
800-247-5746 Email:robhaake@ajmfg.us
Please Visit Our Web Site At: www.ajmfg.com

DRAWN SLG	MATERIAL 304SS	JOB NAME	TAG	QTY	REV # A
CHKD	FINISH #4 SATIN	ENGINEER	DRAWING NAME SSHFG-CLCD		SHT 2/2
APRVD	SIZE	CONTRACTOR			SCL 1:10
					DO NOT SCALE