

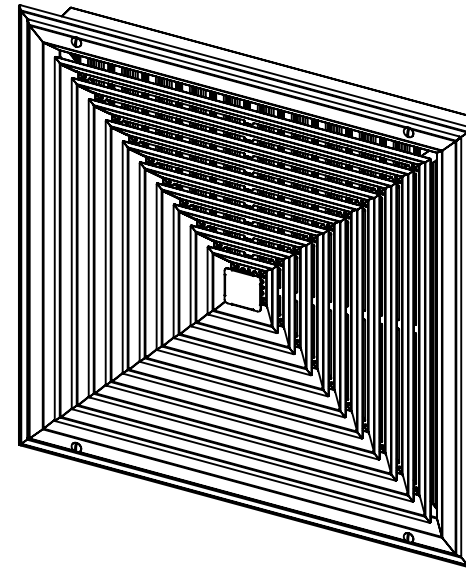
Job Name: _____
 Tag Name: _____ Quantity: _____
 Unit Size: _____

SSFG CLCD STEEL

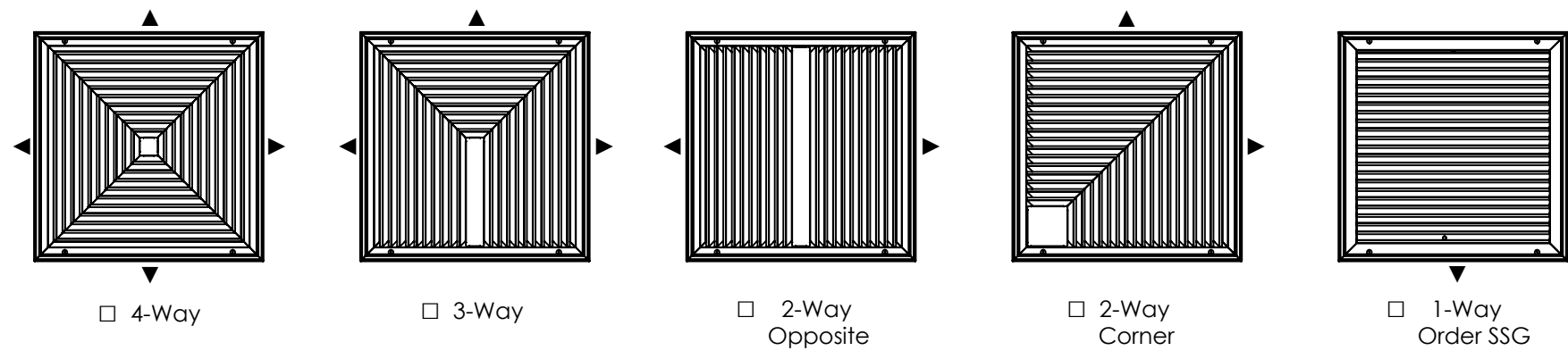
NON-HINGED FILTER GRILLE CONCENTRIC LOUVERED CEILING DIFFUSER

OPTIONS

- 304 Stainless Steel **(Standard)**
 - #4 Satin Finish **(Standard)**
- 316 Stainless Steel
 - #4 Satin Finish
- White Antimicrobial Epoxy Powdercoat Finish
- Other Color: _____
- Top Inlet - (Select Shape/Size)
- Round Inlet - Size: _____
- Square Inlet - Size: _____
- Rectangle Inlet - Size: _____
 - Flanged
- S-44 Opposed Blade Damper
 - Attached to Grille
 - Attached to Filter Frame
- Filter - Depth: _____



Airflow Direction Options



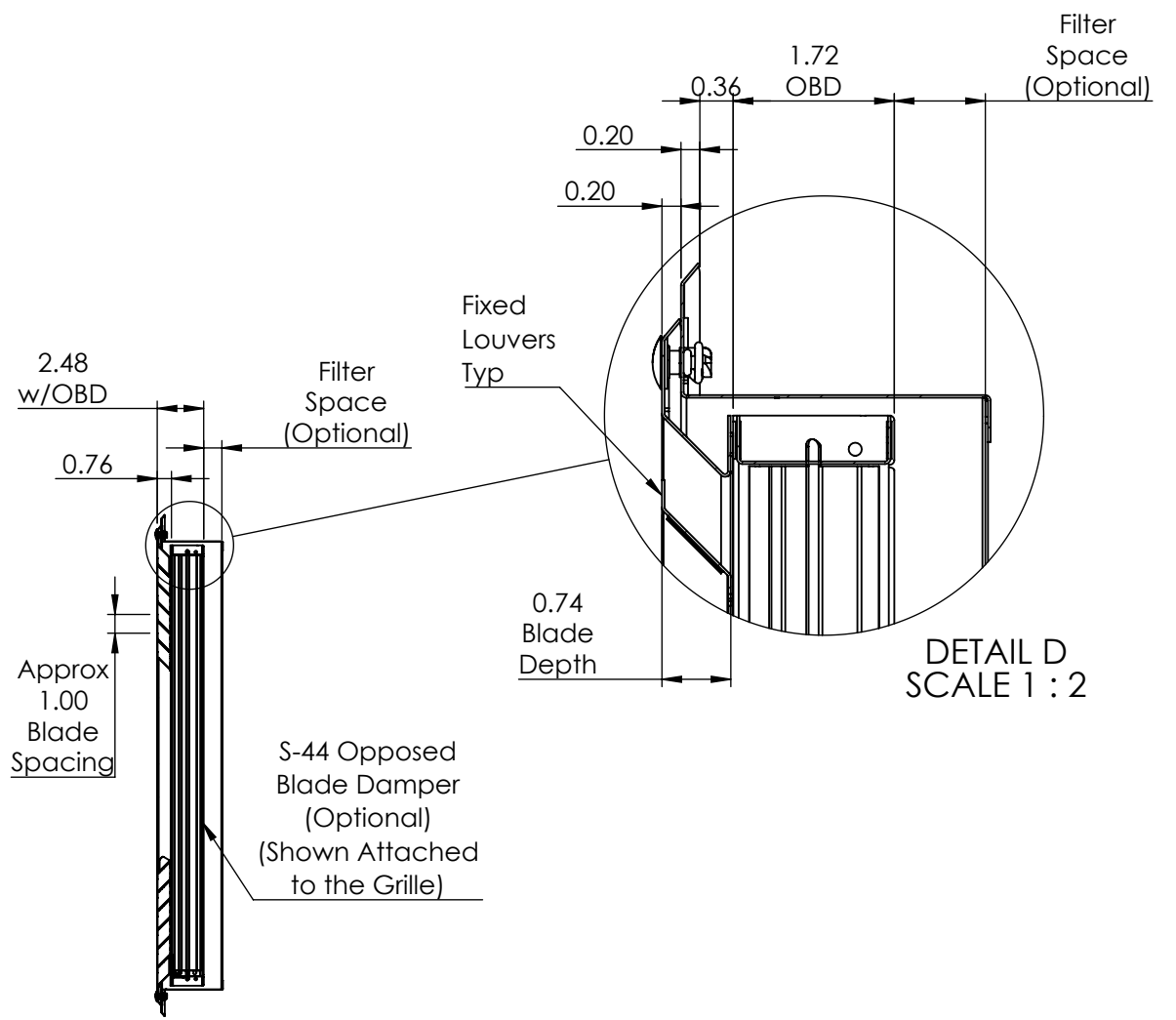
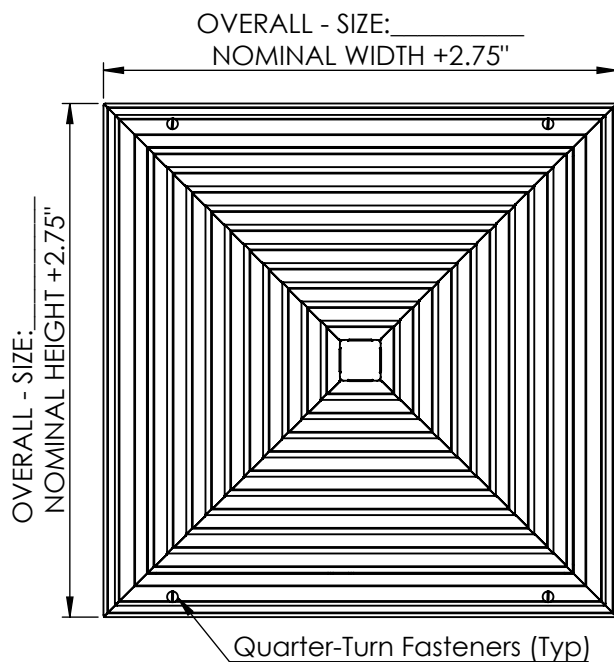
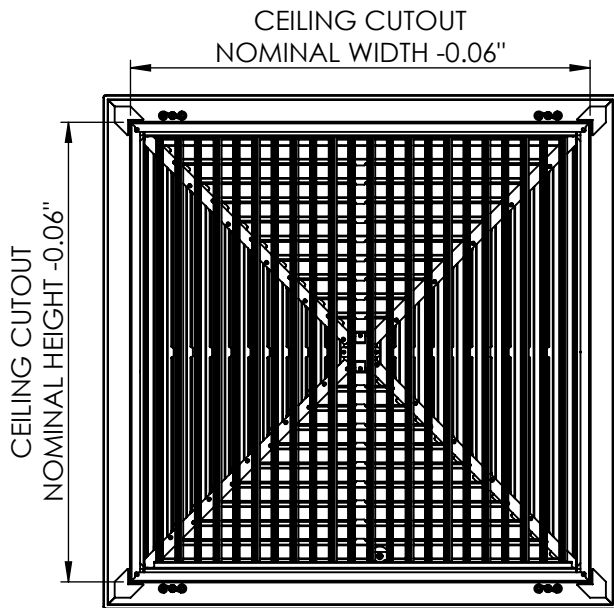
* To maintain AJ Manufacturing's policy of continuous product improvement, we reserve the right to change any information concerning product or pricing without notice or obligation *



DRAWN SLG	MATERIAL 304SS	JOB NAME	TAG	QTY	REV # A
CHKD	FINISH #4 SATIN	ENGINEER	DRAWING NAME SSFG-CLCD		SHT 1/2
APRVD	SIZE	CONTRACTOR			SCL 1:8
					DO NOT SCALE

SSFG CLCDS STEEL

NON-HINGED FILTER GRILLE CONCENTRIC LOUVERED CEILING DIFFUSER



SECTION A-A

AJMFG
 8701 Elmwood Ave #400
 Kansas City, MO 63132
 Ph:816-231-5522 Fax:816-231-8437
 800-247-5746 Email:robhaake@ajmfg.us
 Please Visit Our Web Site At: www.ajmfg.com

DRAWN SLG	MATERIAL 304SS	JOB NAME	TAG	QTY	REV # A
CHKD	FINISH #4 SATIN	ENGINEER	DRAWING NAME SSFG-CLCD		SHT 2/2
APRVD	SIZE	CONTRACTOR			SCL 1:10
					DO NOT SCALE