

SSHFG-LT

HINGED FILTER GRILLE LONG THROW

STANDARD CONSTRUCTION

- 304 Stainless Steel
- Hinged Face Frame
- Surface Mount

ORDER SIZE (Duct Opening Size)

W: _____ x H: _____

MATERIAL OPTIONS

- 316 Stainless Steel

FINISH OPTIONS

- Polished
- White Antimicrobial Powder Coat
- Other: _____

HINGE LOCATION

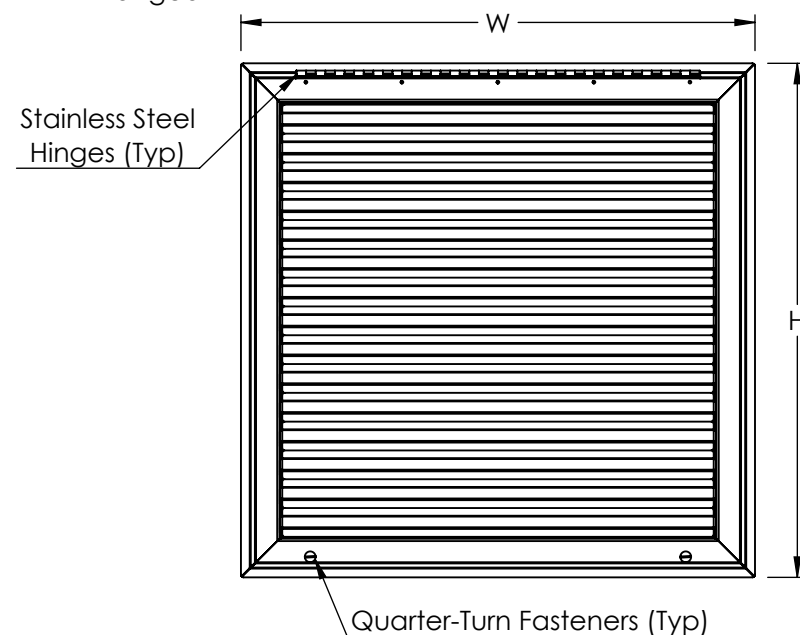
- Top (Typ) Left
- Bottom Right

DAMPER OPTIONS

- S-44 - Opposed Blade Damper

INLET/OUTLET OPTIONS

- Round - Size: _____
- Square - Size: _____
 - Flanged
- Rectangle - Size: _____
 - Flanged



FILTER SPACING

- None 1" 2" Other

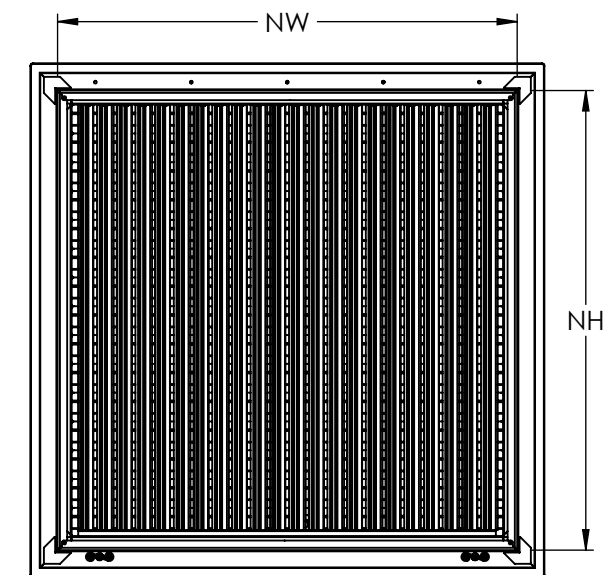
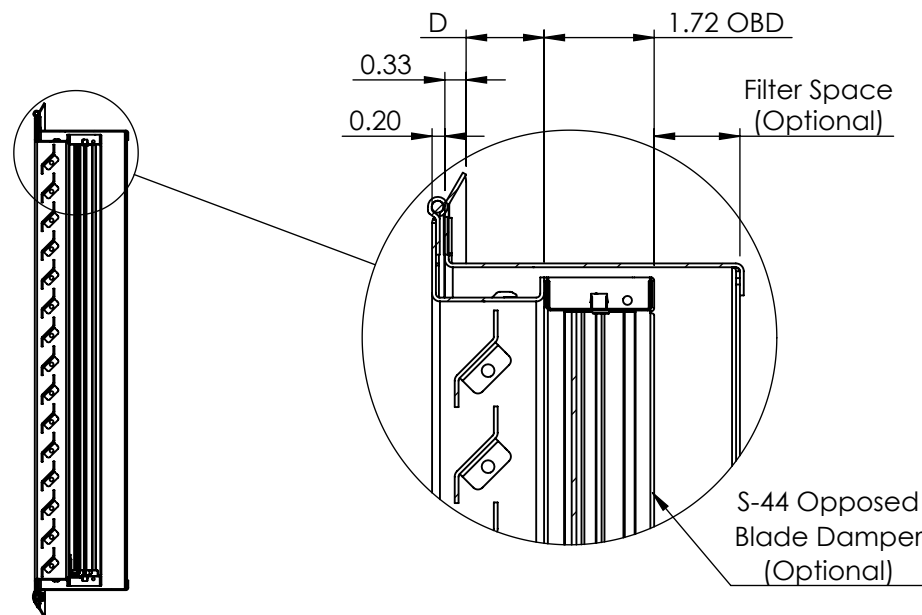
UNIT OPTIONS

- 150 Single Deflection Supply Grille** (See Page 2)
 - Blade Direction
 - Horizontal Vertical
 - Blade Depth
 - 1.50" (Std) 3.00"
- 250 Double Deflection Supply Grille** (See Page 3)
 - Blade Direction
 - Horizontal Vertical
 - Blade Depth
 - 1.50" (Std) 3.00"

UNIT OPTIONS (Continued)

- 550 Return Grille** (See Page 4)
 - Blade Direction
 - Horizontal Vertical
 - Blade Angle
 - 45° 0°
 - Blade Depth
 - 1.50" (Std) 3.00"

MOUNTING STYLE	NOMINAL SIZE	OVERALL WIDTH (W)	OVERALL HEIGHT (H)	NECK WIDTH (NW)	NECK HEIGHT (NH)	DEPTH (D)
Surface Mount	12 x 12	14.77	14.77	11.94	11.94	See Detail on Unit Specific Page
	24 x 24	26.77	26.77	23.94	23.94	
	Other	Nominal + 2.77	Nominal + 2.77	Nominal - 0.06	Nominal - 0.06	



AJ MANUFACTURING CO. INC.
8701 ELMWOOD AVE #400, KANSAS CITY, MO 64132
PH: 816.231.5522 / WWW.AJMFG.COM



SSHFG-150-LT

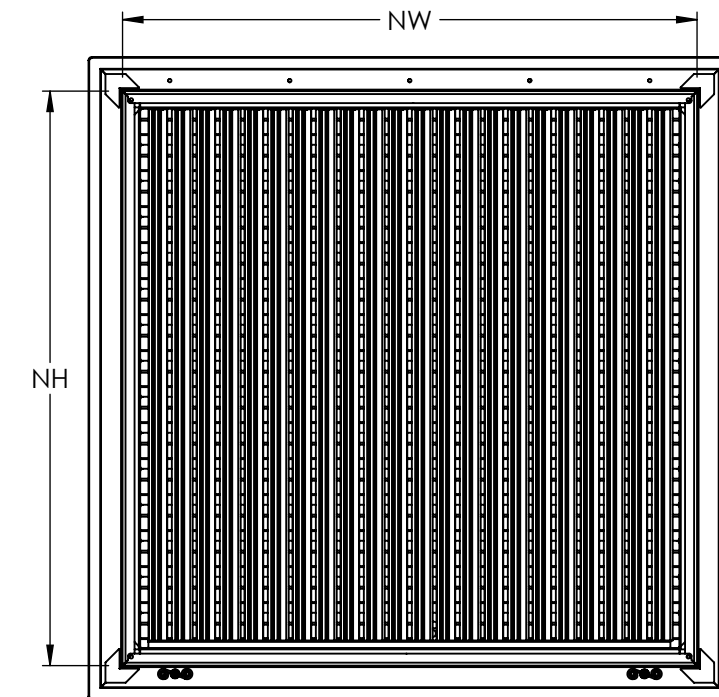
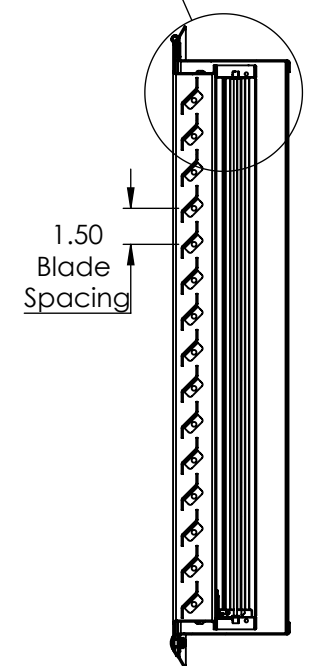
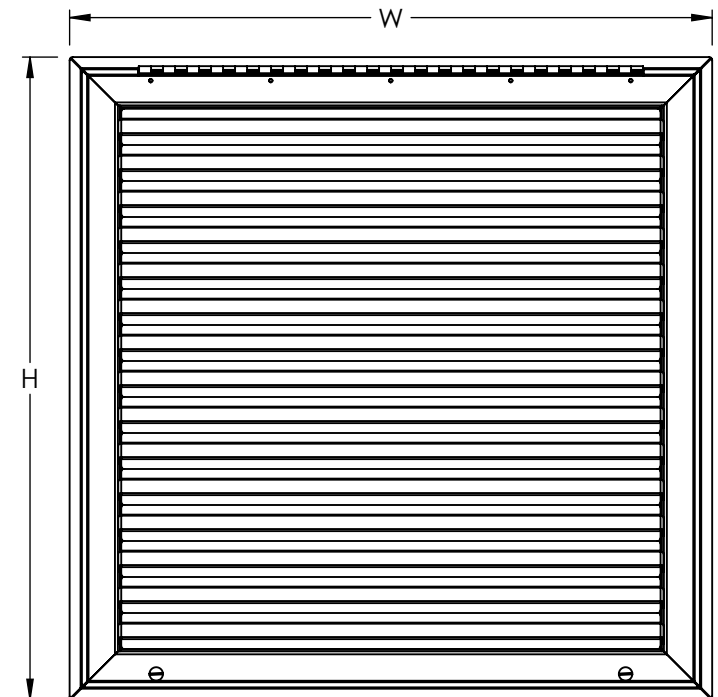
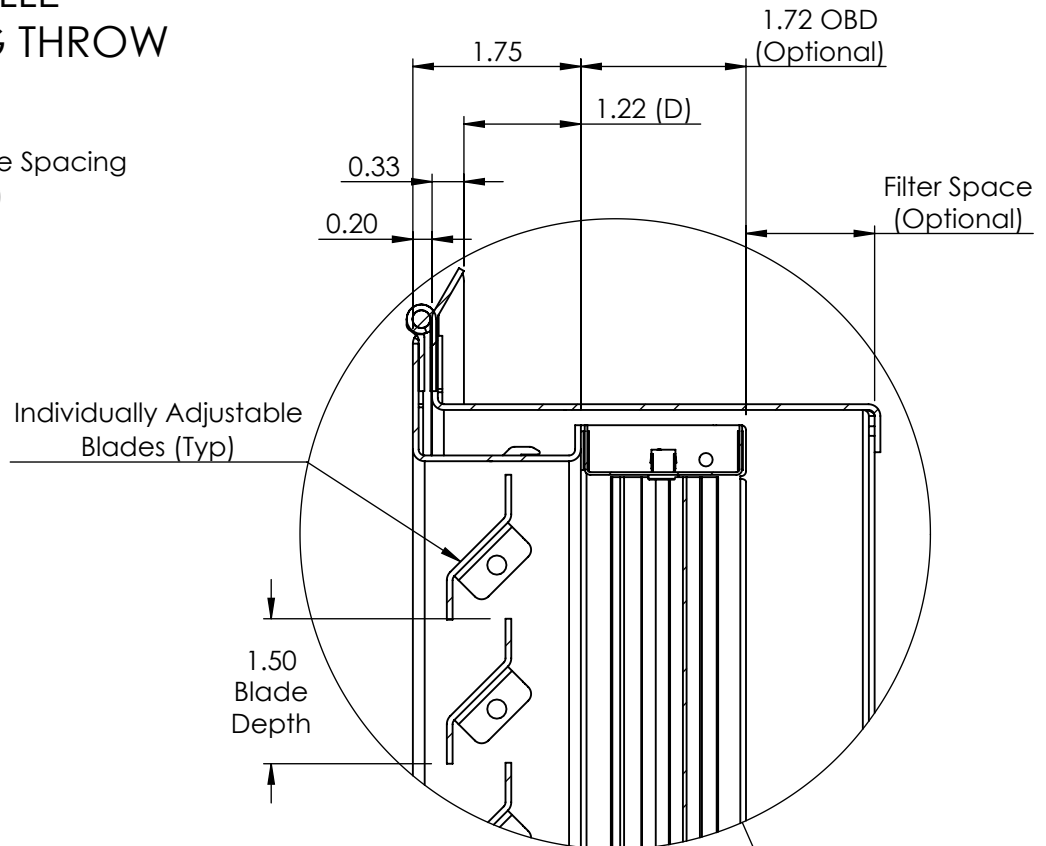
HINGED SUPPLY FILTER GRILLE SINGLE DEFLECTION LONG THROW

*** Note:**

- Blade Depth Typically Equal to Blade Spacing
- Blade Depth will Alter Unit Depth (D)



AJ MANUFACTURING CO. INC.
8701 ELMWOOD AVE #400, KANSAS CITY, MO 64132
PH: 816.231.5522 / WWW.AJMFG.COM

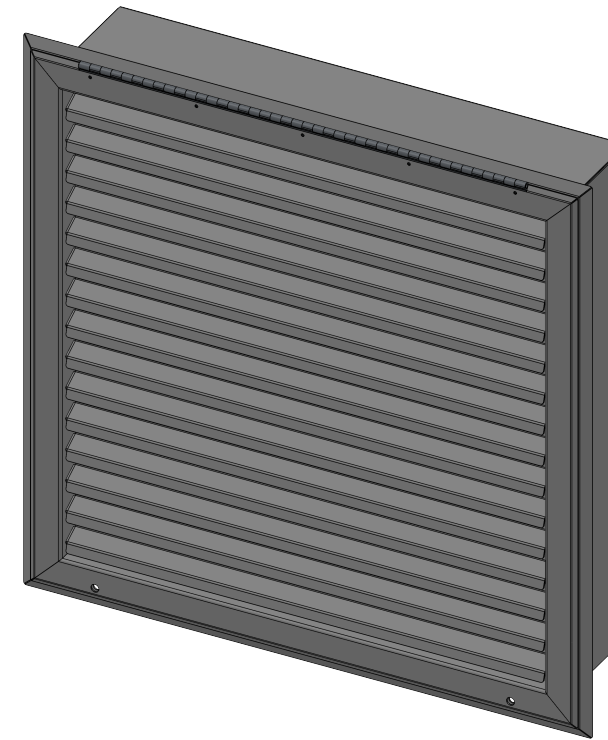
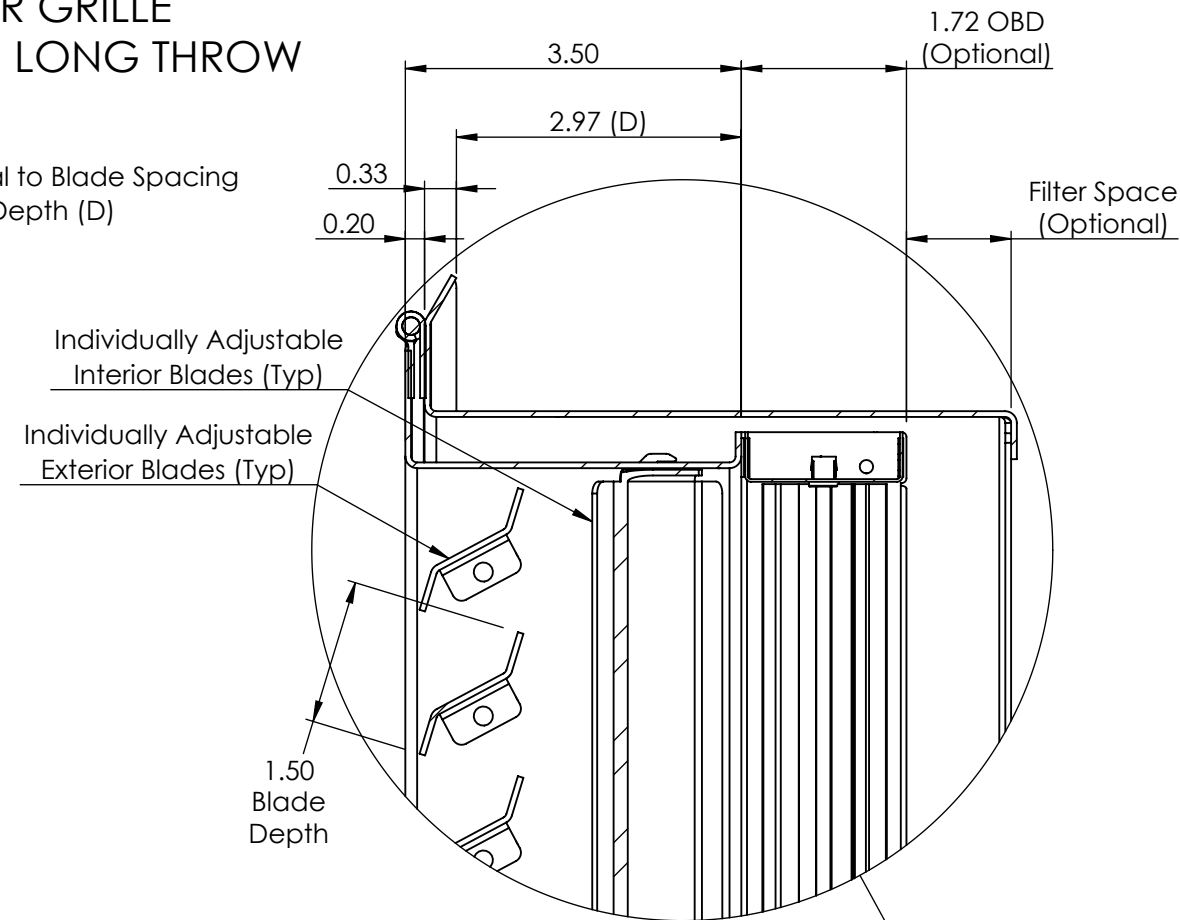


SSHFG-250-LT

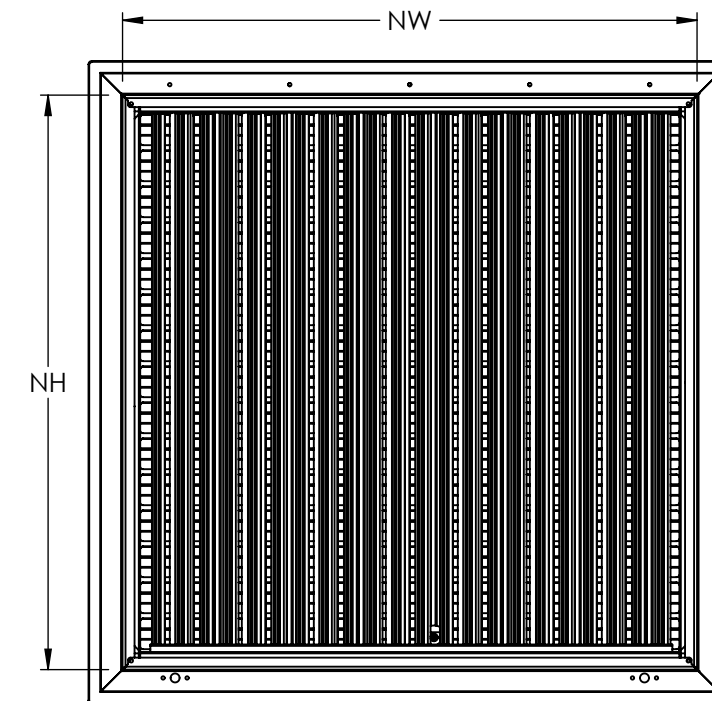
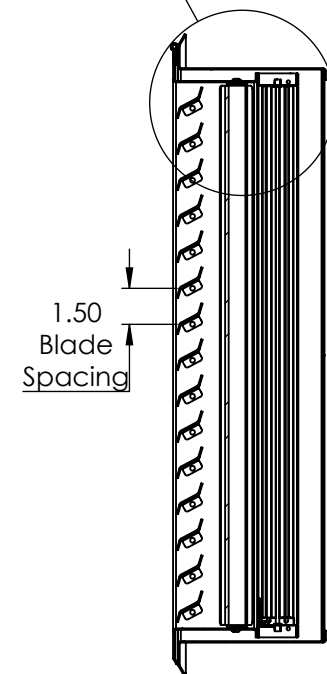
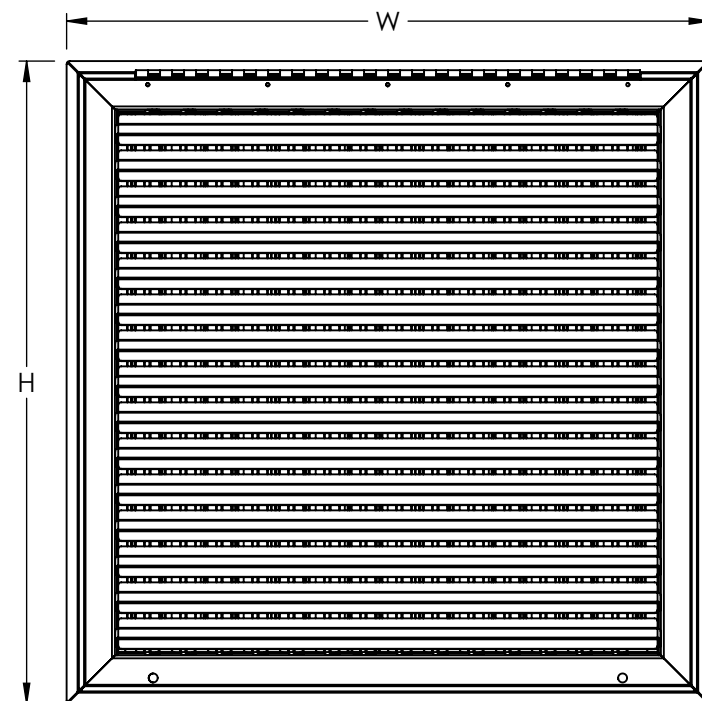
HINGED SUPPLY FILTER GRILLE DOUBLE DEFLECTION LONG THROW

*** Note:**

- Blade Depth Typically Equal to Blade Spacing
- Blade Depth will Alter Unit Depth (D)



AJ MANUFACTURING CO. INC.
8701 ELMWOOD AVE #400, KANSAS CITY, MO 64132
PH: 816.231.5522 / WWW.AJMFG.COM

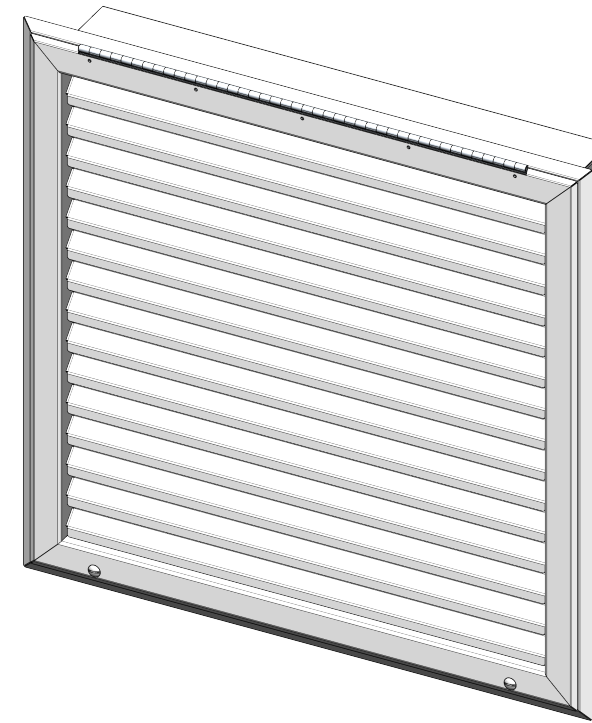
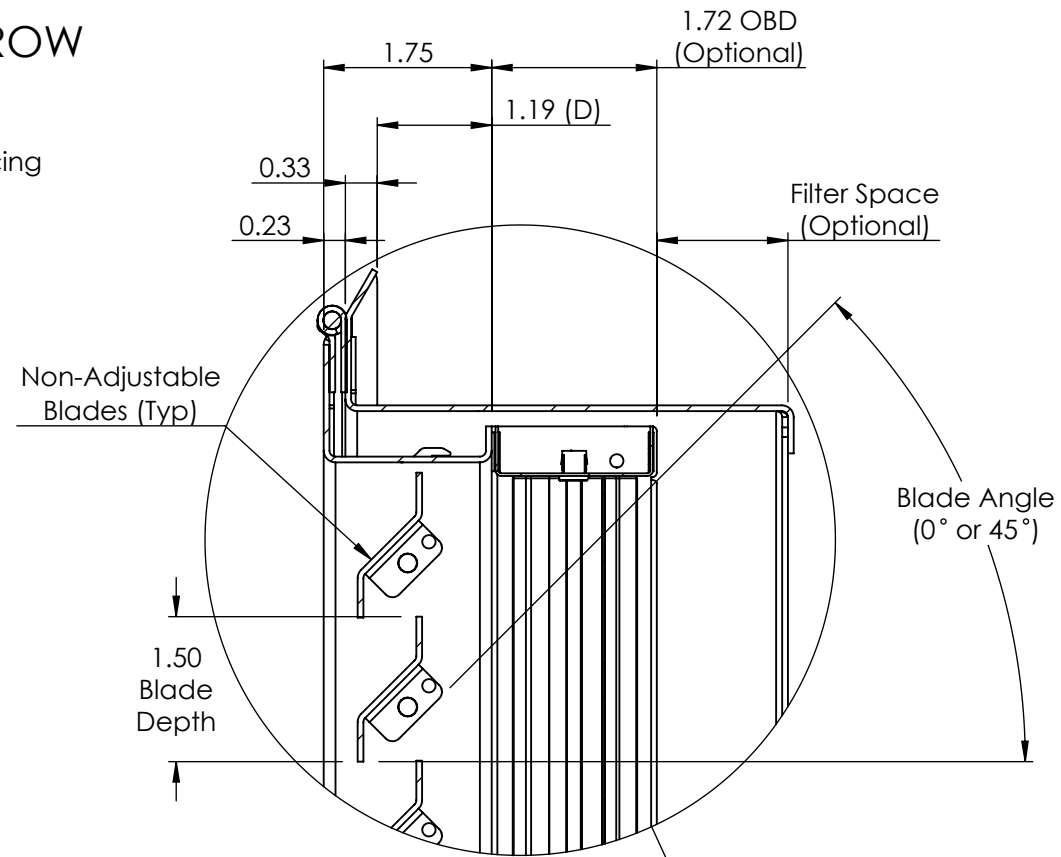


SSHFG-550-LT

HINGED RETURN FILTER GRILLE SINGLE DEFLECTION LONG THROW

*** Note:**

- Blade Depth Typically Equal to Blade Spacing
- Blade Depth will Alter Unit Depth (D)



AJ MANUFACTURING CO. INC.
8701 ELMWOOD AVE #400, KANSAS CITY, MO 64132
PH: 816.231.5522 / WWW.AJMFG.COM

