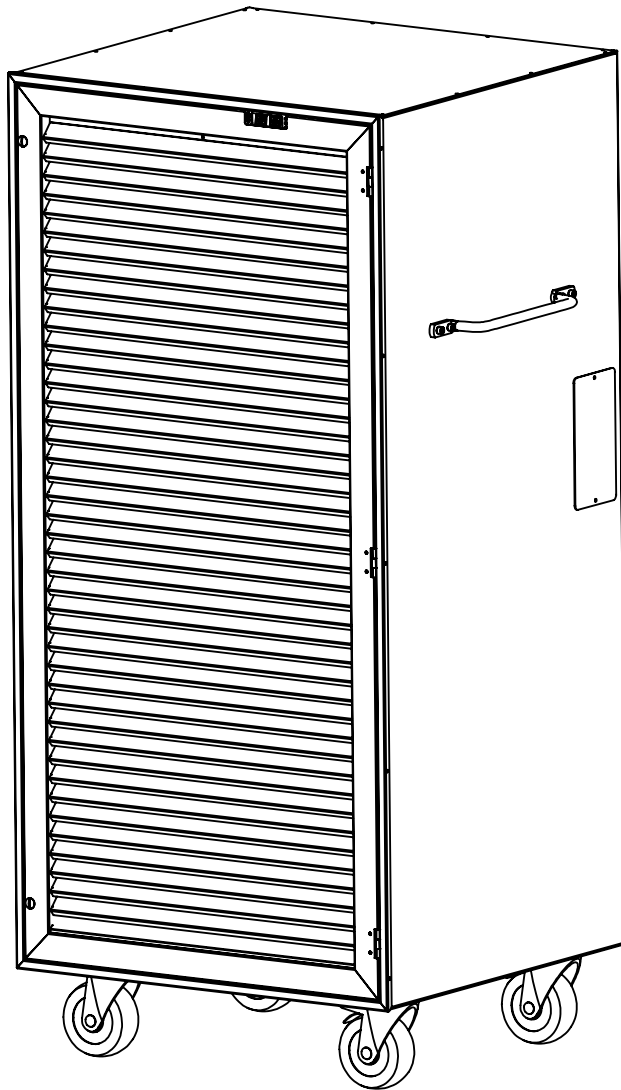


# SSPFFU-RF-UV STEEL

PORTABLE REVERSE FLOW  
FAN FILTER UNIT WITH UV-C



## STANDARD OPTIONS

- 304 Stainless Steel
- #4 Satin Finish
- No Vision/No Light Hinged Face Grille
- HEPA Filter - 99.99% on 0.3µm
- Push/Pull Handle
- 4 Swivel Casters - (2) with Brakes
- HEPA-Alert Filter Monitor
- 120VAC Motor
- 10Ft Hospital Grade Cord w/Plug
- Adjustable Face Control
- Airflow Sensor w/Constant Volume
- High Output Anti-microbial UV-C Lamp
- Safety Interlock Switch  
- Cuts UV light when grille face is opened

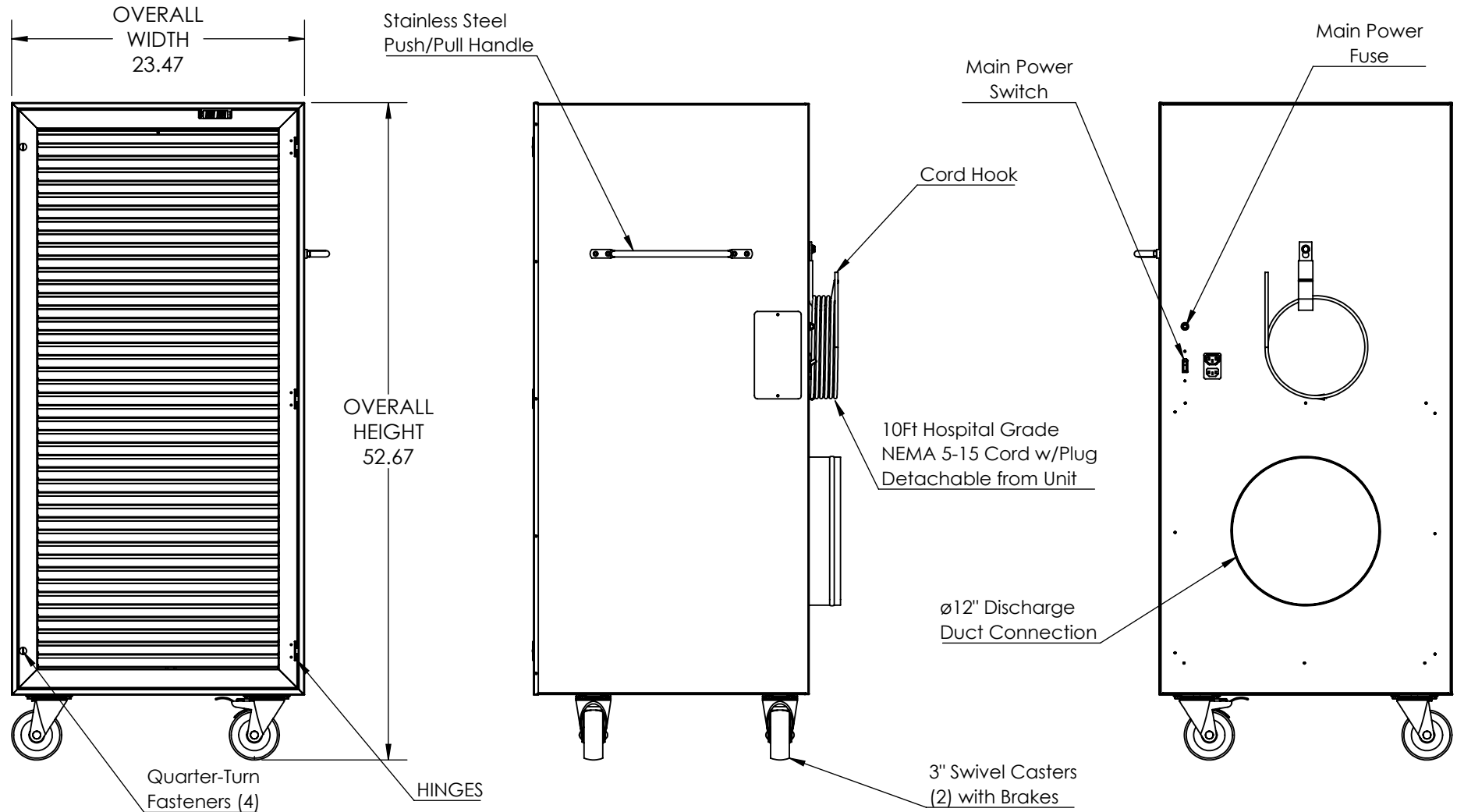


8701 Elmwood Ave #400  
Kansas City, MO 63132  
Ph:816-231-5522 Fax:816-231-8437  
800-247-5746 Email:robhaake@ajmfg.us  
Please Visit Our Web Site At: www.ajmfg.com

DRAWN HT	MATERIAL 304SS	JOB NAME	TAG	QTY	REV #
CHKD RH	FINISH #4 SATIN	ENGINEER	DRAWING NAME Q#081120-112		SHT 1/4 SCL 1:10
APRVD	SIZE 48 x 24	CONTRACTOR			DO NOT SCALE

# STAINLESS STEEL SSPFFU-RF-UV

PORTABLE REVERSE FLOW FAN FILTER UNIT WITH UV-C

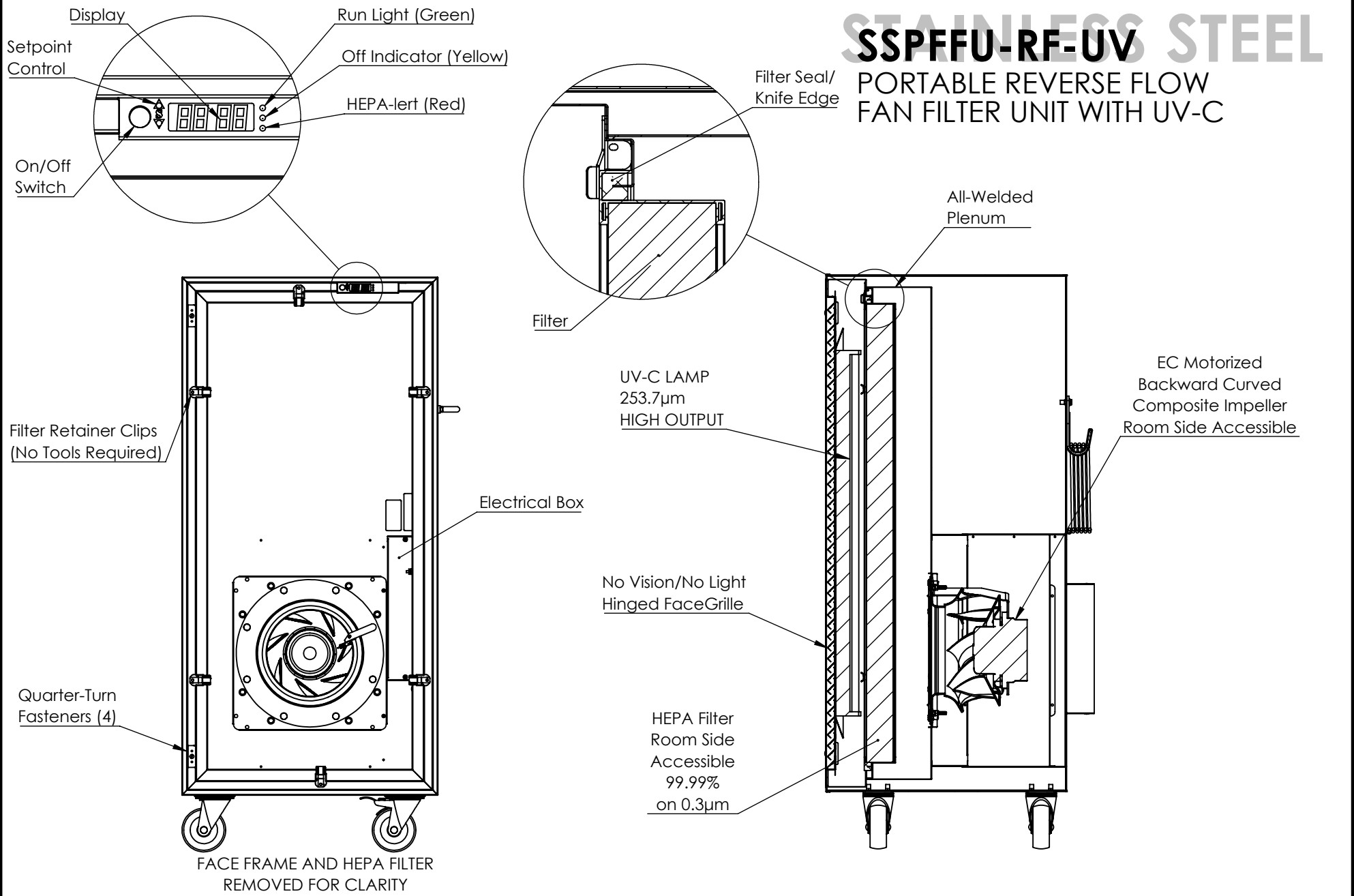


8701 Elmwood Ave #400  
 Kansas City, MO 63132  
 Ph:816-231-5522 Fax:816-231-8437  
 800-247-5746 Email:robhaake@ajmfg.us  
 Please Visit Our Web Site At: www.ajmfg.com


DRAWN HT	MATERIAL 304SS	JOB NAME	TAG	QTY	REV #
CHKD RH	FINISH #4 SATIN	ENGINEER	DRAWING NAME Q#081120-112		SHT 2/4
APRVD	SIZE 48 x 24	CONTRACTOR			SCL 1:12
					DO NOT SCALE

# SSPFFU-RF-UV STEEL

## PORTABLE REVERSE FLOW FAN FILTER UNIT WITH UV-C



FACE FRAME AND HEPA FILTER REMOVED FOR CLARITY

 <p>8701 Elmwood Ave #400 Kansas City, MO 63132 Ph:816-231-5522 Fax:816-231-8437 800-247-5746 Email:robhaake@ajmfg.us Please Visit Our Web Site At: www.ajmfg.com</p>	DRAWN HT	MATERIAL 304SS	JOB NAME	TAG	QTY	REV #
	CHKD RH	FINISH #4 SATIN	ENGINEER	DRAWING NAME Q#081120-112		SHT 3/4 SCL 1:12
	APRVD	SIZE 48 x 24	CONTRACTOR			

# SSPFFU-RF-UV STEEL

PORTABLE REVERSE FLOW  
FAN FILTER UNIT WITH UV-C

FILTER OPTIONS						
Unit Size	Type	Flow	Filter Size			Rated CFM
			Width	Height	Depth	
48x24	HEPA	HIGH	43.5	19.5	3.5	1200
48x24	HEPA	STANDARD	43.5	19.5	2.88	900

48x24 HIGH FLOW FILTER, AT 0 STATIC, 120VAC				
Setpoint	CFM	CFM/ Sq Ft	Watts	RPM
100%	1074	222	257	2090
90%	917	189	185	1881
80%	760	157	134	1672
70%	608	126	86	1463
60%	450	93	55	1254
50%	312	64	33	1045
40%	200	41	20	836
30%	114	24	13	627
20%	51	11	9	418



8701 Elmwood Ave #400  
Kansas City, MO 63132  
Ph:816-231-5522 Fax:816-231-8437  
800-247-5746 Email:robhaake@ajmfg.us  
Please Visit Our Web Site At: www.ajmfg.com

DRAWN HT	MATERIAL 304SS	JOB NAME	TAG	QTY	REV #
CHKD RH	FINISH #4 SATIN	ENGINEER	DRAWING NAME Q#081120-112		SHT 4/4 SCL 1:12
APRVD	SIZE 48 x 24	CONTRACTOR	DO NOT SCALE		