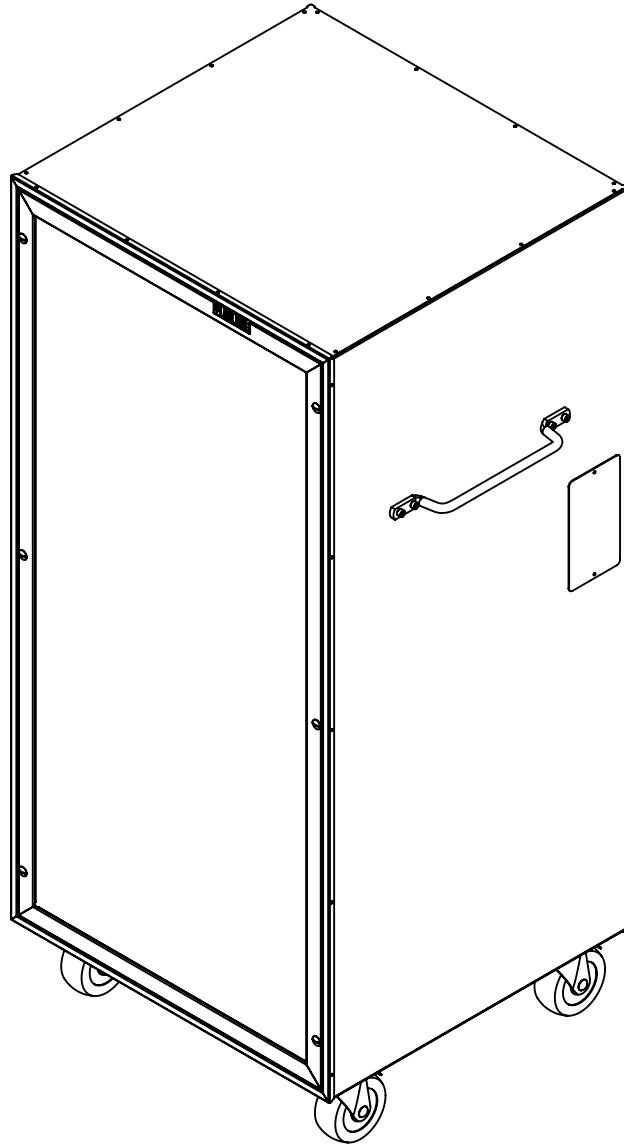


# STAINLESS STEEL

## SSPFFU-RF

PORTABLE FAN FILTER UNIT  
REVERSE FLOW



### STANDARD FEATURES

- 304 Stainless Steel
- #4 Satin Finish
- 51% Perf Face
- Pre-Filter
- HEPA Filter - 99.99% on 0.3µm
- Round Duct Collar Kit
- Push/Pull Handle
- 4 Swivel Casters - (2) with Brakes
- HEPA-Iert Filter Monitor
- 120VAC Motor
- 10Ft Hospital Grade Cord w/Plug
- Adjustable Face Control
- Airflow Sensor w/Constant Volume

### OPTIONS

- Auto-Cleaning Ionization System GPS-FC24-AC



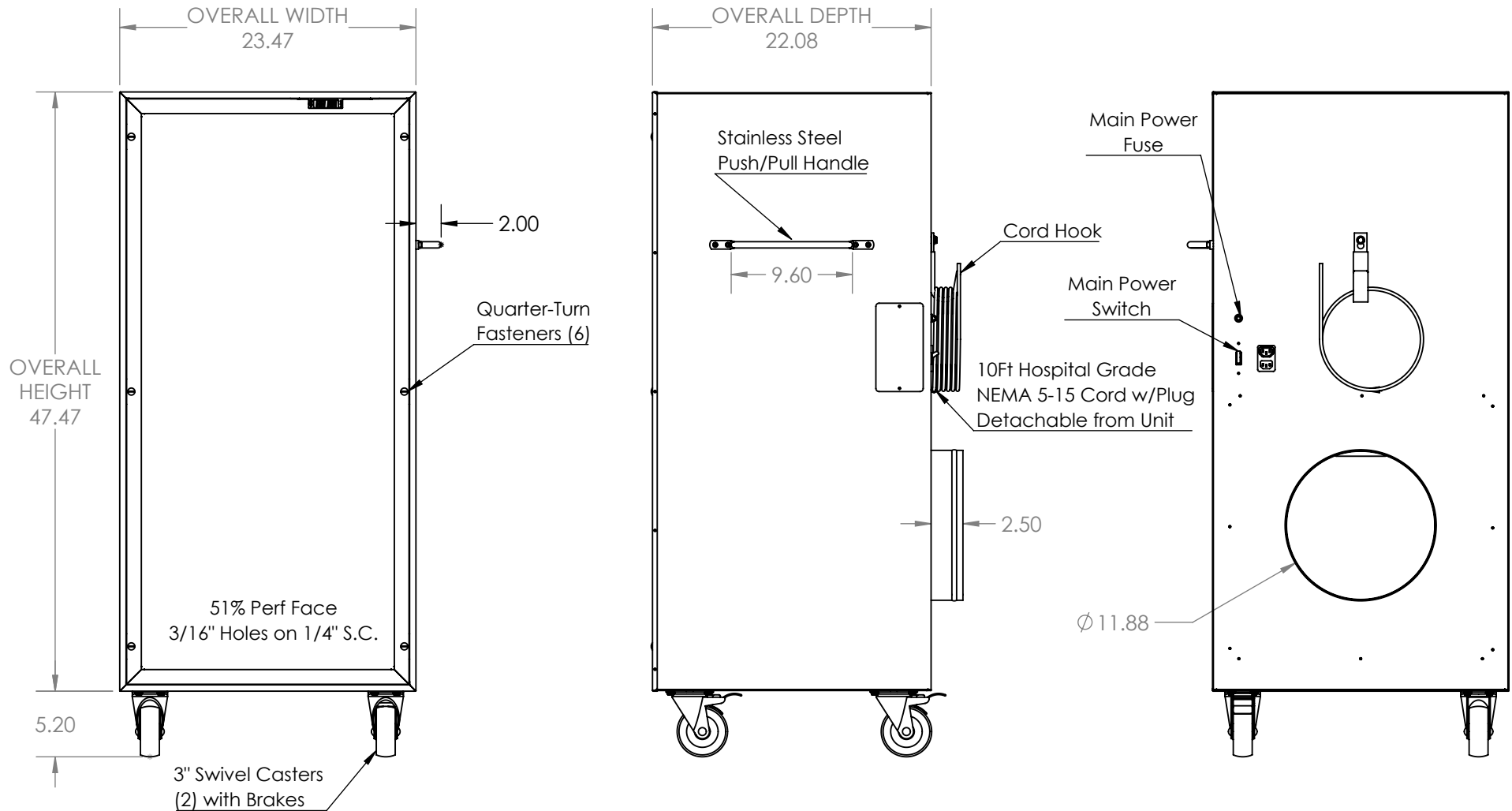
8701 Elmwood Ave #400  
Kansas City, MO 63132  
Ph:816-231-5522 Fax:816-231-8437  
800-247-5746 Email:robhaake@ajmfg.us  
Please Visit Our Web Site At: www.ajmfg.com

DRAWN BRS	MATERIAL 304SS	JOB NAME	TAG	QTY	REV #
CHKD	FINISH #4 SATIN	ENGINEER	DRAWING NAME 061620-241		SHT 1/4
APRVD	SIZE 48 x 24	CONTRACTOR			SCL 1:10
					DO NOT SCALE

# STAINLESS STEEL

## SSLFHD-FFU-RF-MEA

FAN FILTER UNIT - REVERSE FLOW  
MOBILE UNIT

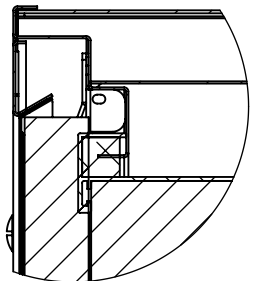
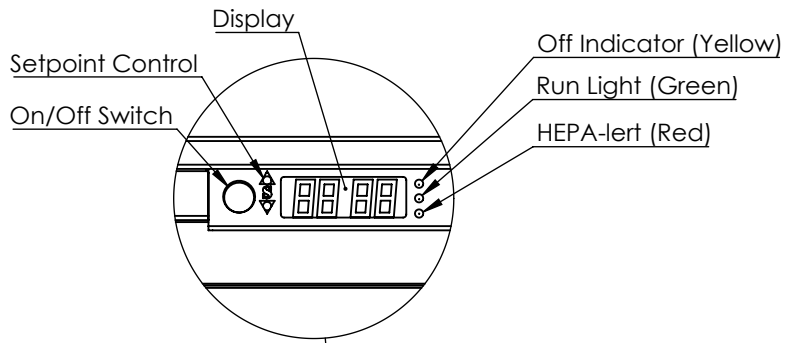


8701 Elmwood Ave #400  
Kansas City, MO 63132  
Ph: 816-231-5522 Fax: 816-231-8437  
800-247-5746 Email: robhaake@ajmfg.us  
Please Visit Our Web Site At: www.ajmfg.com

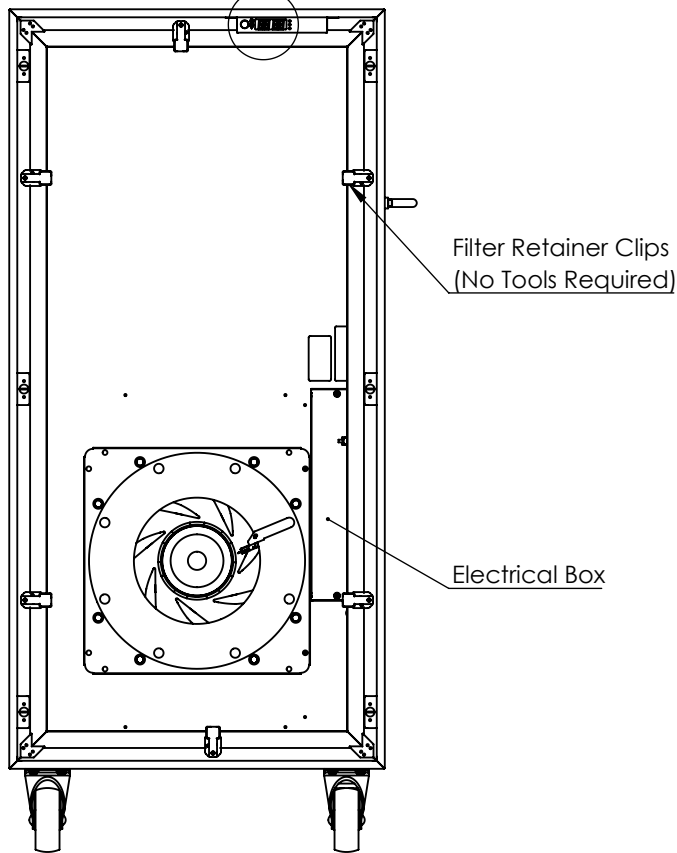
DRAWN BRS	MATERIAL 304SS	JOB NAME	TAG	QTY	REV #
CHKD	FINISH #4 SATIN	ENGINEER	DRAWING NAME 061620-241		SHT 2/4
APRVD	SIZE 48 x 24	CONTRACTOR			SCL 1:12
					DO NOT SCALE

# STAINLESS STEEL

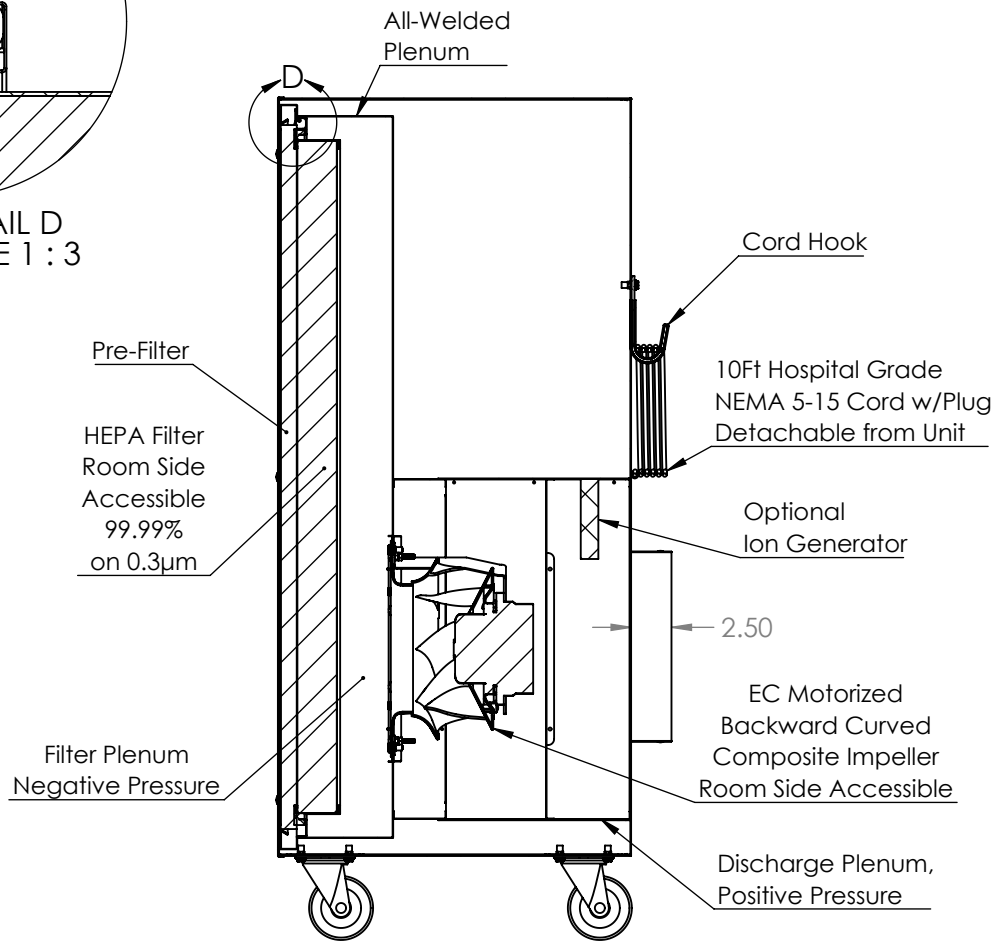
## SSLFHD-FFU-RF-MEA FAN FILTER UNIT - REVERSE FLOW MOBILE UNIT



DETAIL D  
SCALE 1 : 3



FACE FRAME AND HEPA FILTER  
REMOVED FOR CLARITY



SECTION VIEW



8701 Elmwood Ave #400  
Kansas City, MO 63132  
Ph:816-231-5522 Fax:816-231-8437  
800-247-5746 Email:robhaake@ajmfg.us  
Please Visit Our Web Site At: www.ajmfg.com

DRAWN BRS	MATERIAL 304SS	JOB NAME	TAG	QTY	REV #
CHKD	FINISH #4 SATIN	ENGINEER	DRAWING NAME 061620-241		SHT 3/4
APRVD	SIZE 48 x 24	CONTRACTOR			SCL 1:12
					DO NOT SCALE

# STAINLESS STEEL SSLFHD-FFU-RF-MEA

FAN FILTER UNIT - REVERSE FLOW  
MOBILE UNIT

FILTER OPTIONS						
Unit Size	Type	Flow	Filter Size			Rated CFM
			Width	Height	Depth	
48x24	HEPA	HIGH	43.5	19.5	3.5	1200
48x24	HEPA	STANDARD	43.5	19.5	2.88	900

48x24x12RD STANDARD FILTER, AT 0 STATIC, 120VAC				
Setpoint	CFM	CFM/ Sq Ft	Watts	RPM
100%	930	179	237	2090
90%	806	155	174	1881
80%	672	129	120	1672
70%	545	105	81	1463
60%	415	80	50	1254
50%	292	56	32	1045
40%	183	35	17	836
30%	104	20	12	627
20%	34	7	8	418



8701 Elmwood Ave #400  
Kansas City, MO 63132  
Ph:816-231-5522 Fax:816-231-8437  
800-247-5746 Email:robhaake@ajmfg.us  
Please Visit Our Web Site At: www.ajmfg.com

DRAWN BRS	MATERIAL 304SS	JOB NAME	TAG	QTY	REV #
CHKD	FINISH #4 SATIN	ENGINEER	DRAWING NAME 061620-241		SHT 4/4
APRVD	SIZE 48 x 24	CONTRACTOR			SCL 1:12
					DO NOT SCALE