

Job Name: \_\_\_\_\_

Tag Name: \_\_\_\_\_ Quantity: \_\_\_\_\_

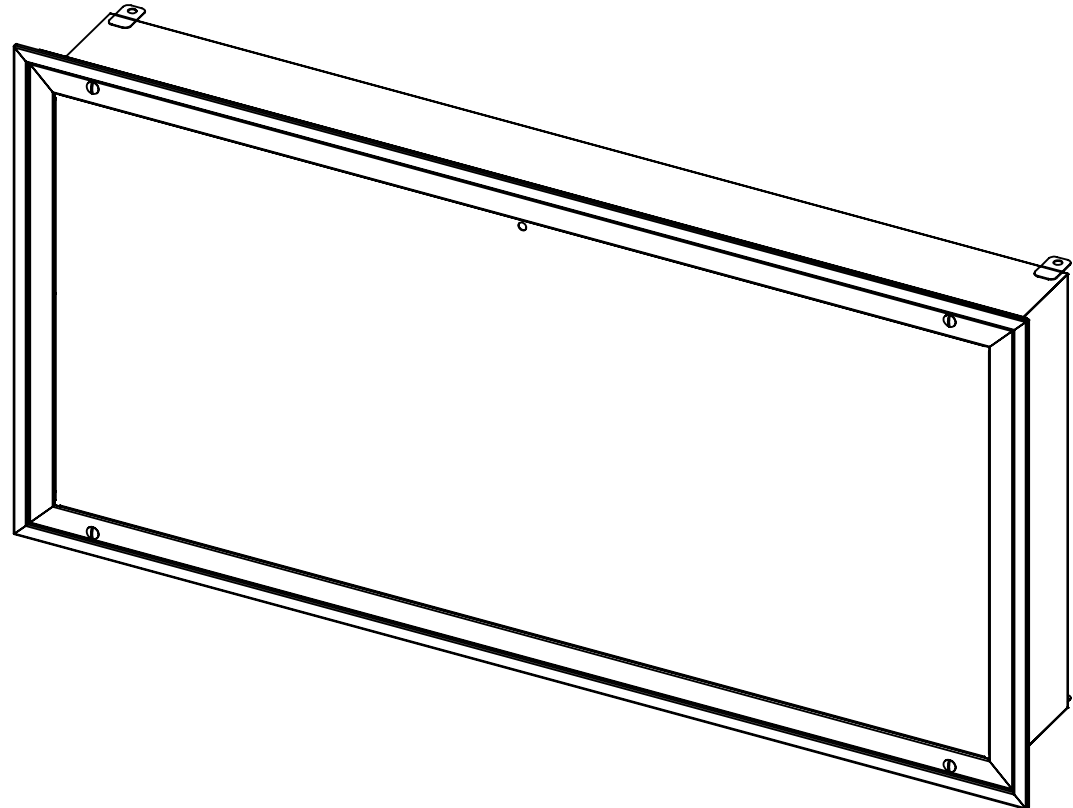
Unit Size: \_\_\_\_\_

# FRD STAINLESS STEEL

## FLAT RADIAL DIFFUSER 2-WAY

### OPTIONS

- 304 Stainless Steel **(Standard)**
  - #4 Satin Finish **(Standard)**
- 316 Stainless Steel
  - #4 Satin Finish
- Aluminum
- White Antimicrobial Epoxy Powdercoat Finish
- Other Color: \_\_\_\_\_
- Top Inlet - (Select Shape/Size) **(Standard)**
- Side Inlet - (Select Shape/Size)
- End Inlet - (Select Shape/Size)
- Round Inlet - Size: \_\_\_\_\_ **(Standard)**
- Rectangle Inlet - Size: \_\_\_\_\_
  - Flanged
- Oval Inlet - Size: \_\_\_\_\_
- Butterfly Damper
- Bowtie Damper
- Remote Damper
- Micro Perf Screen
- Foil Back Insulation
  - 1.5"
  - 2.25"

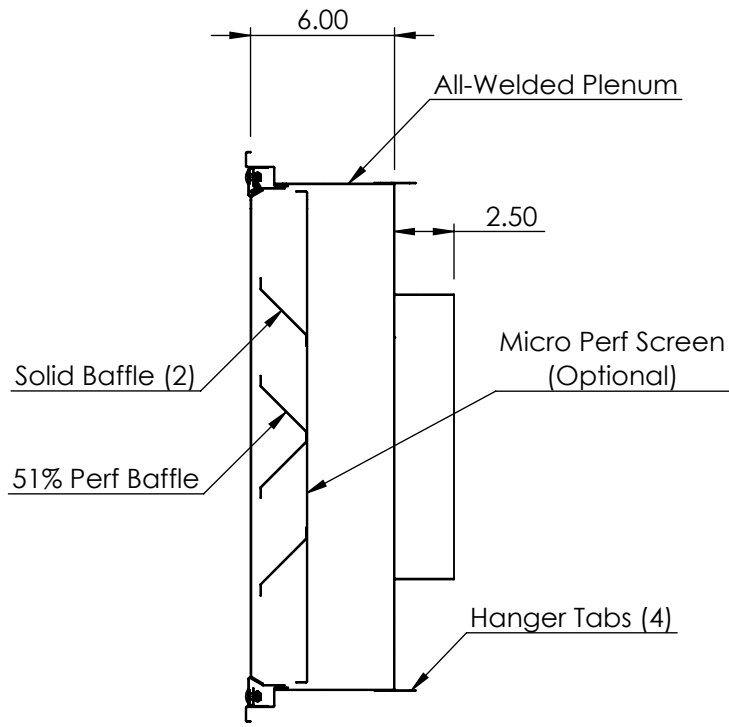
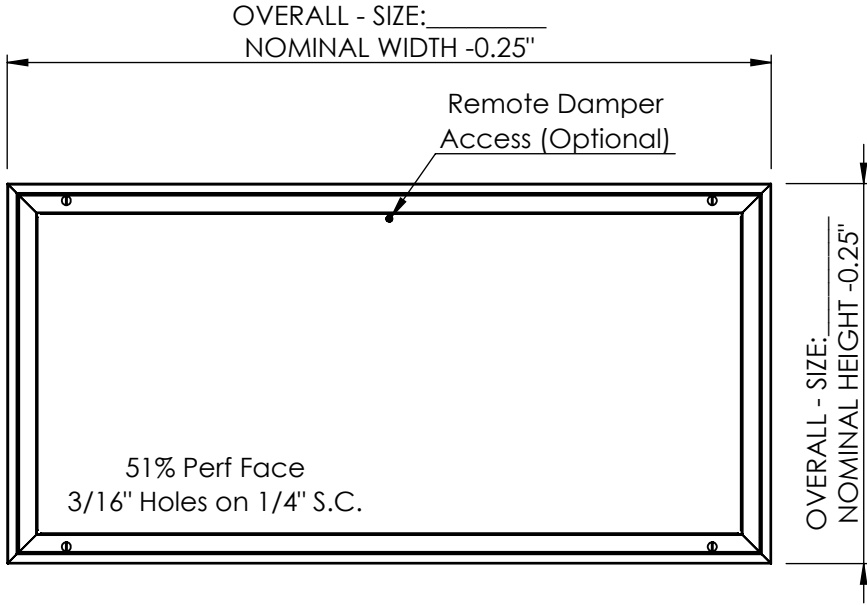
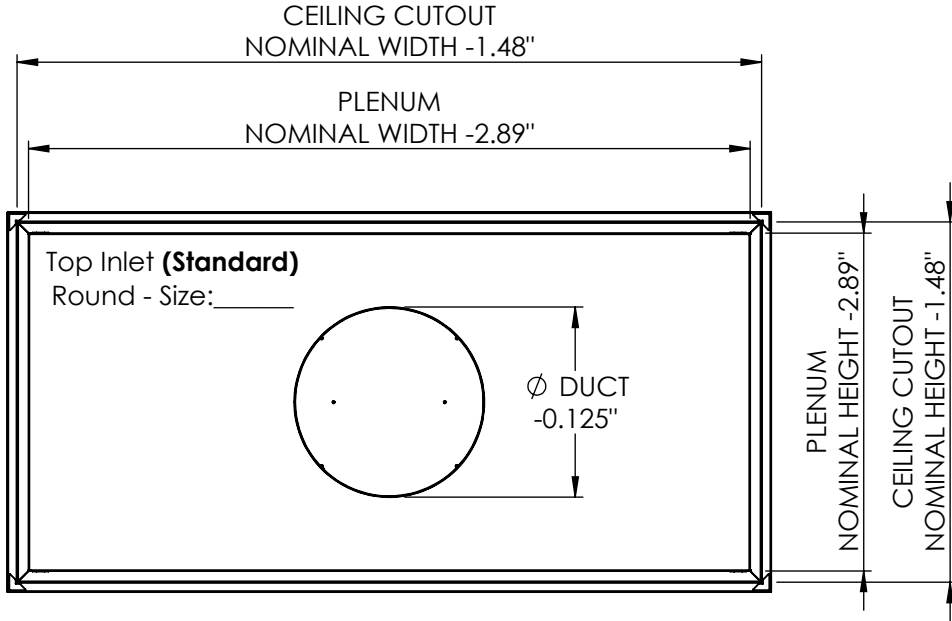


8701 Elmwood Ave #400  
Kansas City, MO 63132  
Ph: 816-231-5522 Fax: 816-231-8437  
800-247-5746 Email: robhaake@ajmfg.us  
Please Visit Our Web Site At: www.ajmfg.com

DRAWN SLG	MATERIAL 304SS	JOB NAME	TAG	QTY	REV # A
CHKD	FINISH #4 SATIN	ENGINEER	DRAWING NAME FRD-2		SHT 1/3
APRVD	SIZE	CONTRACTOR			SCL 1:8
					DO NOT SCALE

# FRD STAINLESS STEEL

## FLAT RADIAL DIFFUSER 2-WAY

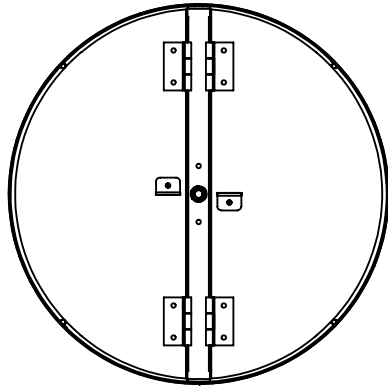


SECTION A-A  
SCALE 1 : 8

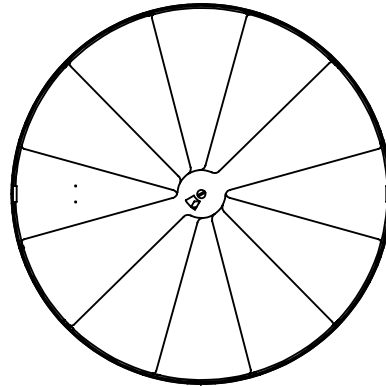


DRAWN SLG	MATERIAL 304SS	JOB NAME	TAG	QTY	REV # A
CHKD	FINISH #4 SATIN	ENGINEER	DRAWING NAME FRD-2		SHT 2/3
APRVD	SIZE	CONTRACTOR			SCL 1:12
					DO NOT SCALE

**Butterfly Damper**  
(Optional)



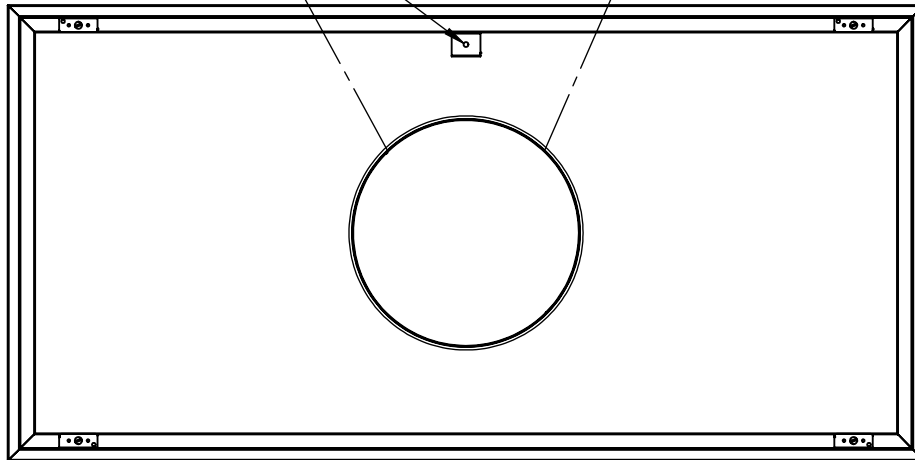
**Bowtie Damper**  
(Optional)



# FRD STAINLESS STEEL

## FLAT RADIAL DIFFUSER 2-WAY

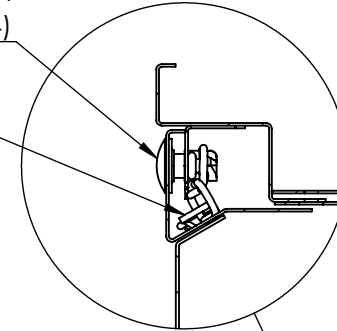
Remote Damper  
Actuator (Optional)



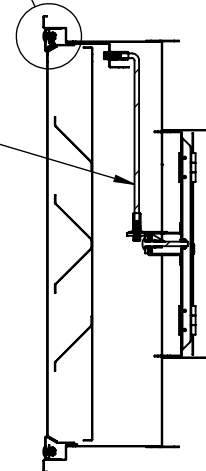
FACE FRAME AND BAFFLES  
REMOVED FOR CLARITY

Quarter-Turn  
Fasteners (4)

Safety Cables (2)



Remote Damper  
Actuator (Optional)



SECTION A-A



8701 Elmwood Ave #400  
Kansas City, MO 63132  
Ph: 816-231-5522 Fax: 816-231-8437  
800-247-5746 Email: robhaake@ajmfg.us  
Please Visit Our Web Site At: www.ajmfg.com

DRAWN SLG	MATERIAL 304SS	JOB NAME	TAG	QTY	REV # A
CHKD	FINISH #4 SATIN	ENGINEER	DRAWING NAME FRD-2		SHT 3/3
APRVD	SIZE	CONTRACTOR			SCL 1:10
					DO NOT SCALE