

Job Name: _____

Tag Name: _____ Quantity: _____

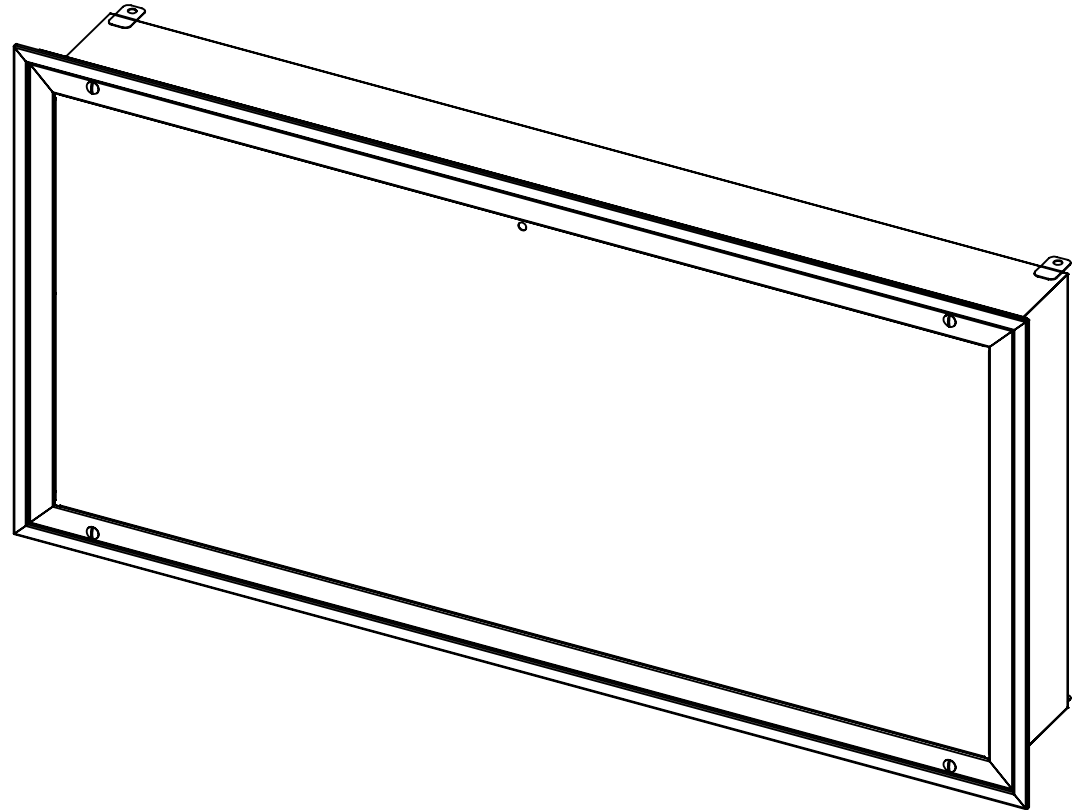
Unit Size: _____

FRD STAINLESS STEEL

FLAT RADIAL DIFFUSER 1-WAY

OPTIONS

- 304 Stainless Steel **(Standard)**
 - #4 Satin Finish **(Standard)**
- 316 Stainless Steel
 - #4 Satin Finish
- Aluminum
- White Antimicrobial Epoxy Powdercoat Finish
- Other Color: _____
- Top Inlet - (Select Shape/Size) **(Standard)**
- Side Inlet - (Select Shape/Size)
- End Inlet - (Select Shape/Size)
- Round Inlet - Size: _____ **(Standard)**
- Rectangle Inlet - Size: _____
 - Flanged
- Oval Inlet - Size: _____
- Butterfly Damper
- Bowtie Damper
- Remote Damper
- Micro Perf Screen
- Foil Back Insulation
 - 1.5"
 - 2.25"



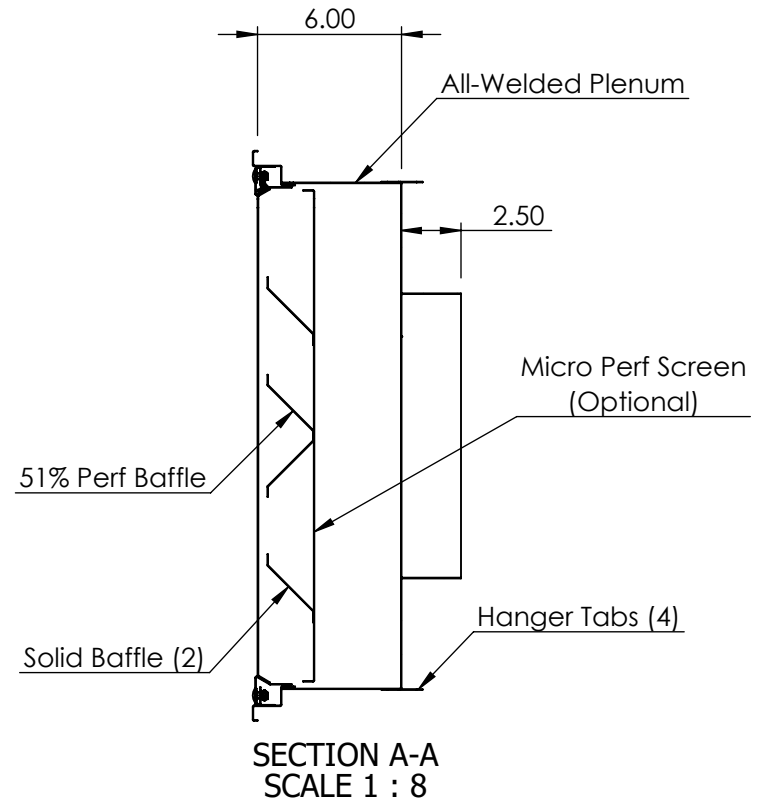
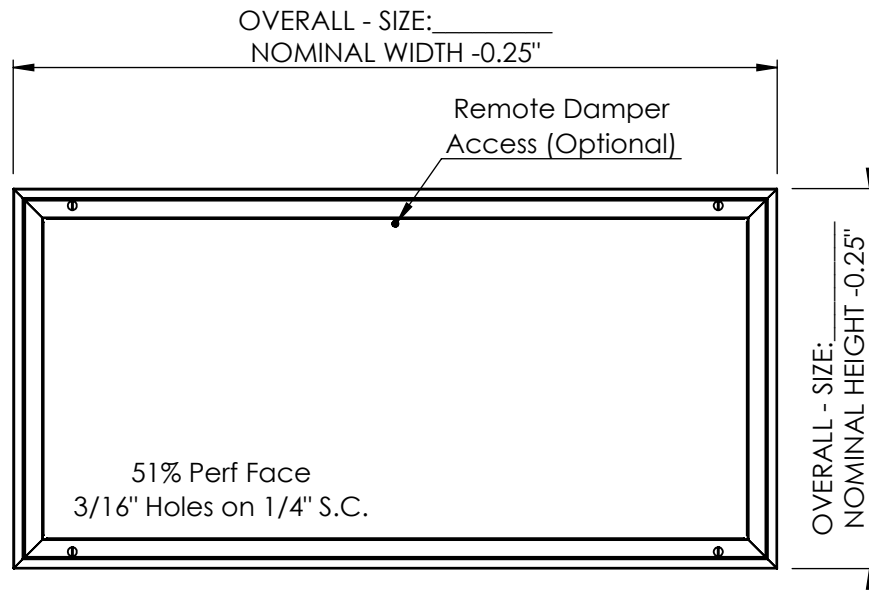
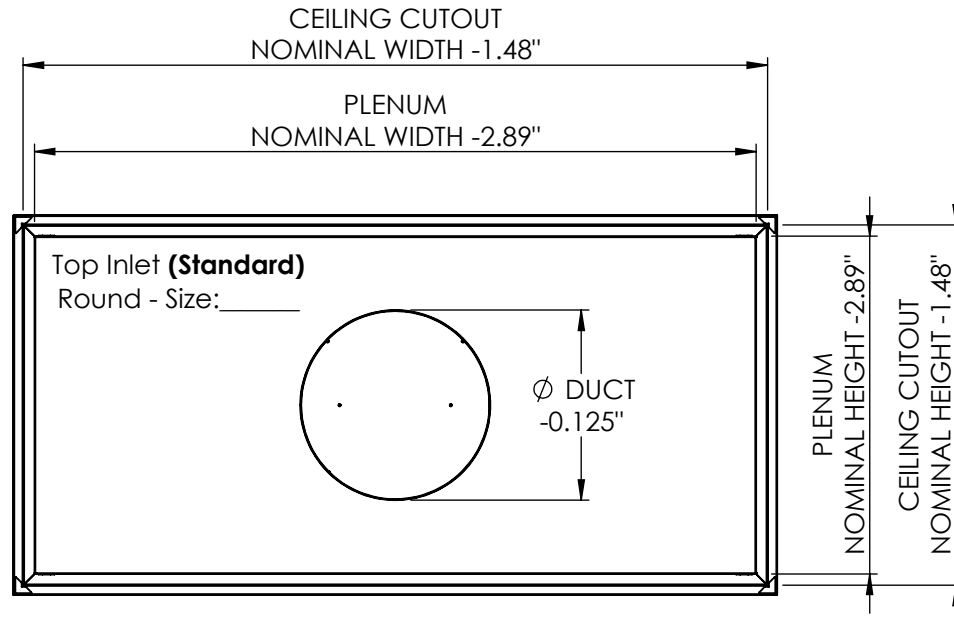
8701 Elmwood Ave #400
Kansas City, MO 63132
Ph: 816-231-5522 Fax: 816-231-8437
800-247-5746 Email: robhaake@ajmfg.us
Please Visit Our Web Site At: www.ajmfg.com

DRAWN SLG	MATERIAL 304SS	JOB NAME	TAG	QTY	REV # A
CHKD	FINISH #4 SATIN	ENGINEER	DRAWING NAME FRD-1		SHT 1/3
APRVD	SIZE	CONTRACTOR			SCL 1:8
					DO NOT SCALE

FRD STAINLESS STEEL

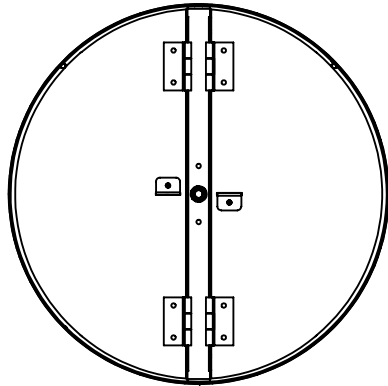
FLAT RADIAL DIFFUSER

1-WAY

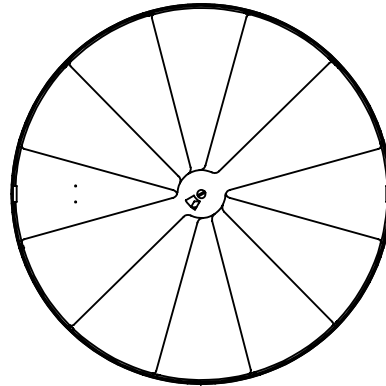


DRAWN SLG	MATERIAL 304SS	JOB NAME	TAG	QTY	REV # A
CHKD	FINISH #4 SATIN	ENGINEER	DRAWING NAME FRD-1		SHT 2/3
APRVD	SIZE	CONTRACTOR			SCL 1:12
					DO NOT SCALE

Butterfly Damper
(Optional)

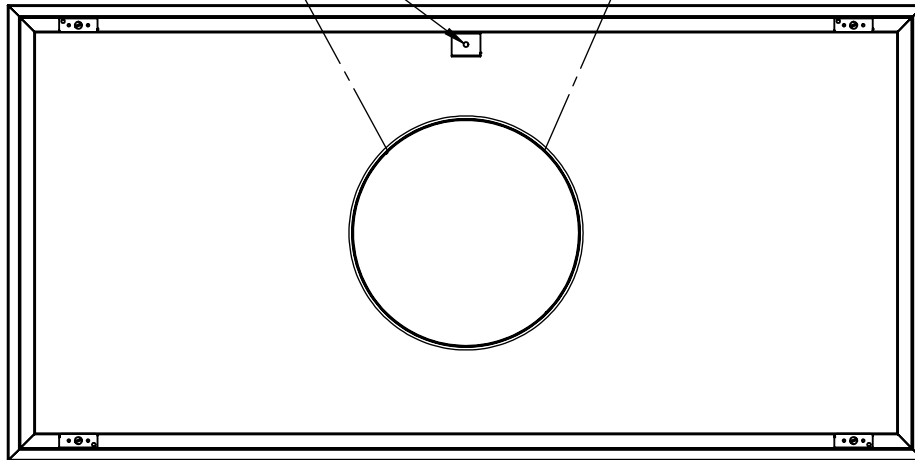


Bowtie Damper
(Optional)

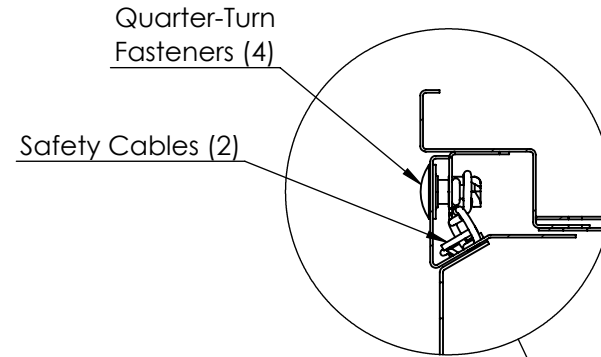


FRD STAINLESS STEEL
FLAT RADIAL DIFFUSER
1-WAY

Remote Damper Actuator (Optional)



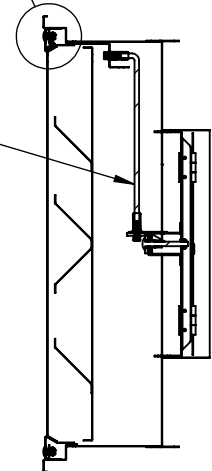
FACE FRAME AND BAFFLES
REMOVED FOR CLARITY



Quarter-Turn Fasteners (4)

Safety Cables (2)

Remote Damper Actuator (Optional)



SECTION A-A



8701 Elmwood Ave #400
Kansas City, MO 63132
Ph: 816-231-5522 Fax: 816-231-8437
800-247-5746 Email: robhaake@ajmfg.us
Please Visit Our Web Site At: www.ajmfg.com

DRAWN SLG	MATERIAL 304SS	JOB NAME	TAG	QTY	REV # A
CHKD	FINISH #4 SATIN	ENGINEER	DRAWING NAME FRD-1		SHT 3/3
APRVD	SIZE	CONTRACTOR			SCL 1:10
					DO NOT SCALE