

SSLFHD-FFU-RF-RSR

FAN FILTER UNIT - REVERSE FLOW
ROOMSIDE REPLACEABLE



AJ MANUFACTURING CO. INC.
8701 ELMWOOD AVE #400, KANSAS CITY, MO 64132
PH: 816.231.5522 / WWW.AJMFG.COM

STANDARD CONSTRUCTION

- 304 Stainless Steel w/Filter Gel Seal Knife Edge
- Non-Ducted Outlet
- EC Motor with Backward Curved Composite Impeller
- 70mm Gel Seal H14 HEPA Filter - 99.995% on 0.3 µm, Room Side Replaceable
- MERV 8 Pre-Filter
- 51% Perf Face
- Airflow Sensor
- Constant Volume
- Adjustable Face Control w/USB-C Port
- Seam Welded Plenum Corners
- Lay-In / Surface Mounting
- Walkable Plenum up to 250lbs
- Hanger Tabs for Unit Support Above Ceiling
- Integrated Controller, BAS Compatible with Modbus or BACnet Options and Real-Time CFM Monitoring

FEATURE OPTIONS

- Duct Collar Kit
 - Round - Size: _____
 - Oval - Size: _____
 - Rectangle - Size: _____
 - Flanged
- Foil Backed Insulation
 - 1.5" (R=4.2)
 - 2.25" (R=6.0)
- HEPA-Lert Filter Monitor
- 1 Test Port
- Continuous Filter Monitoring
- Touchscreen Wall Control (Up to 400 Units)
- Basic Wall Control (One Per Unit)
- Hinged Face Frame
- Hard Ceiling Clamping System

ORDER SIZE

W: _____ x H: _____

MATERIAL OPTIONS

- 316 Stainless Steel

FINISH OPTIONS

- Polished
- White Antimicrobial Powder Coat
- Other: _____

FILTER OPTIONS

- ULPA Filter - 99.9995% on 0.12 µm

MOTOR PROGRAM OPTIONS

- CFM Control
- RPM Control

FAN VOLTAGE OPTIONS

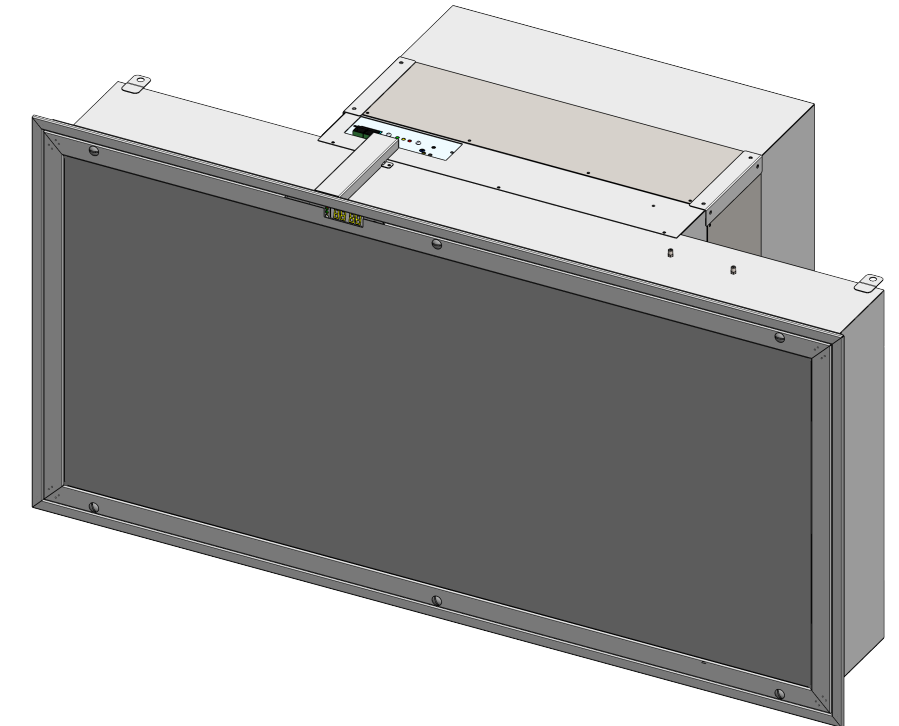
- 120VAC
- 240VAC
- 208VAC
- 277VAC

FAN CONTROL OPTIONS

- MODBUS
 - RTU
 - IP
- BACnet
 - TCP/IP
 - MS/TP
- 0 - 10VDC Input

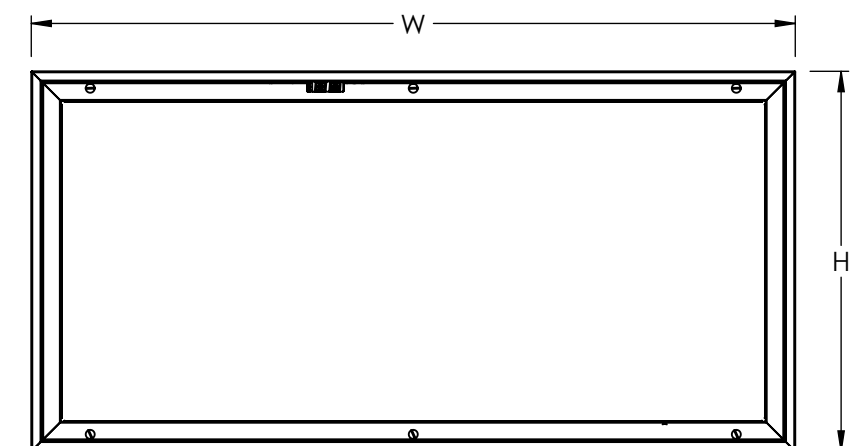
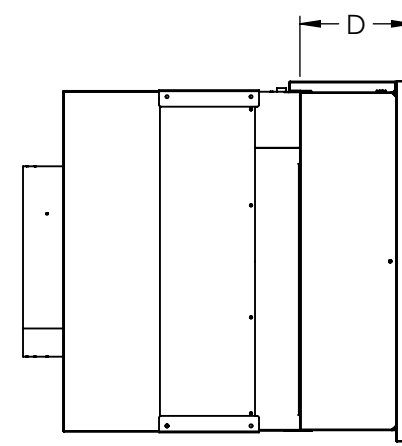
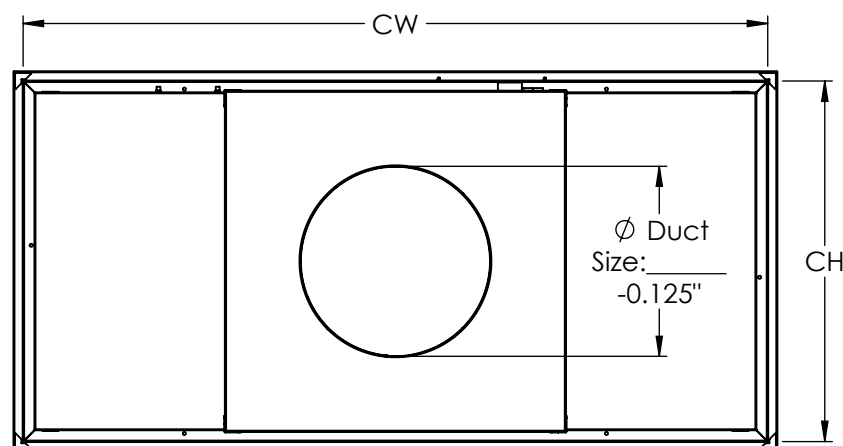
LIGHTING OPTIONS (See Page 3 of 3 for Additional Details)

- Color: White; Preset at 5000K; 90+ CRI
- Color: White; Preset; 90+ CRI
 - 2700
 - 3000
 - 3500
 - 4000
 - 4500
 - 5000
 - 6500
- Color: Tunable from 2700K-6500K via 0-10VDC Dimmer; 90+ CRI
- Other Color: _____



MOTOR/ FAN	FILTER	FILTER MEDIA DEPTH	NOMINAL UNIT SIZE	OVERALL WIDTH (W)	OVERALL HEIGHT (H)	DEPTH (D)	CUTOUT WIDTH (CW)	CUTOUT HEIGHT (CH)	ACTIVE FILTER FACE AREA (SQ.FT.)	MAX CFM	WATTS AT MAX CFM	CFM AT 100 FPM	WATTS AT 100 FPM *	SOUND AT 100 FPM (dBA)	FULL LOAD AMPS (FLA) (120/208/240/277)
ECM-BC	RSR	70mm	24 X 24	23.75	23.75	7.00	23.00	23.00	2.00	300	160	200	39	48	2.2/1.59/1.38/1.2
			36 X 24	35.75	23.75	7.00	35.00	23.00	3.42	500	210	342	49	50	
			48 X 24	47.75	23.75	7.00	47.00	23.00	4.84	750	230	484	50	51	

* Based on 60Hz, no Pre-Filter, 0.00" ESP

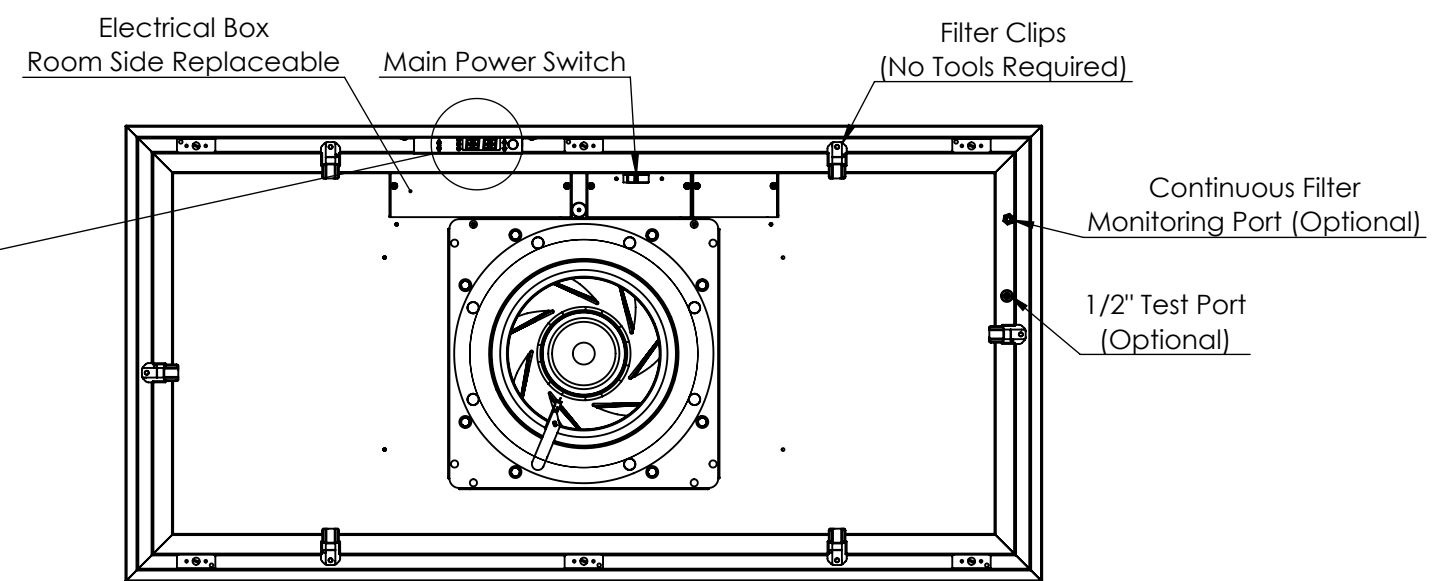
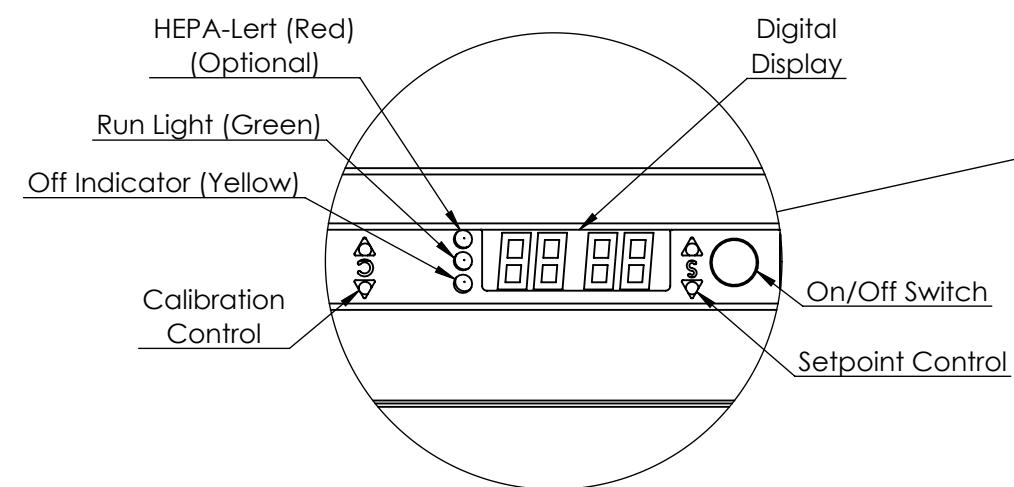
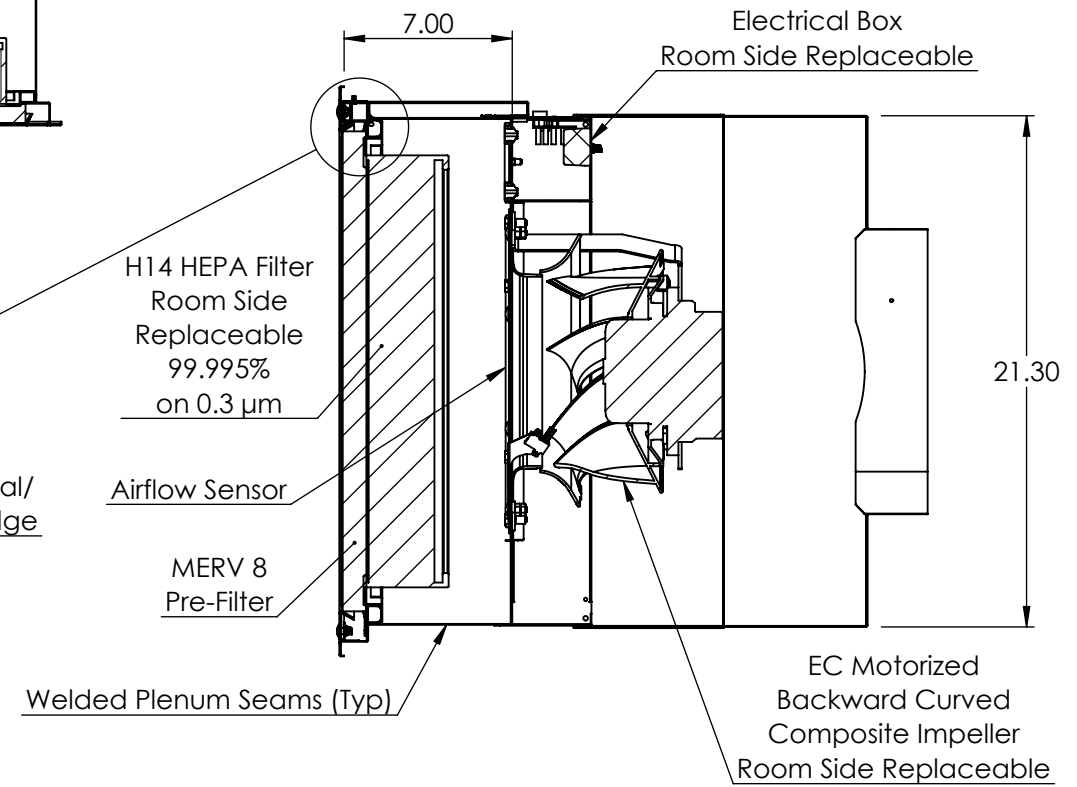
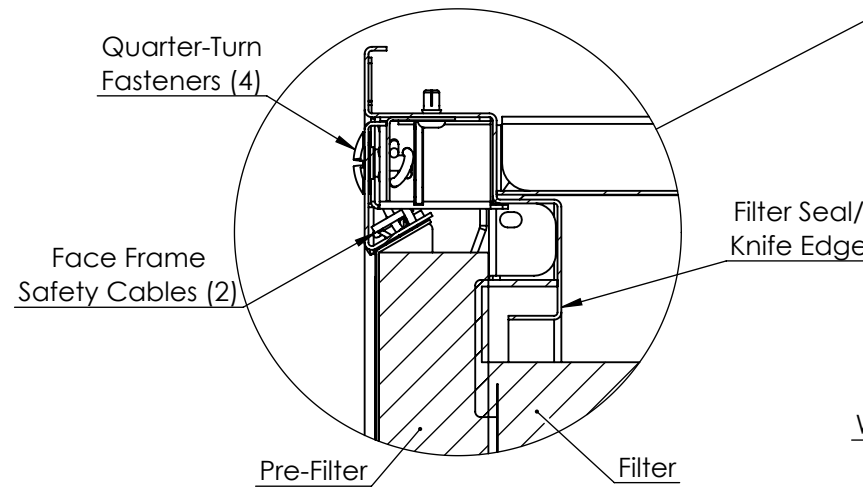
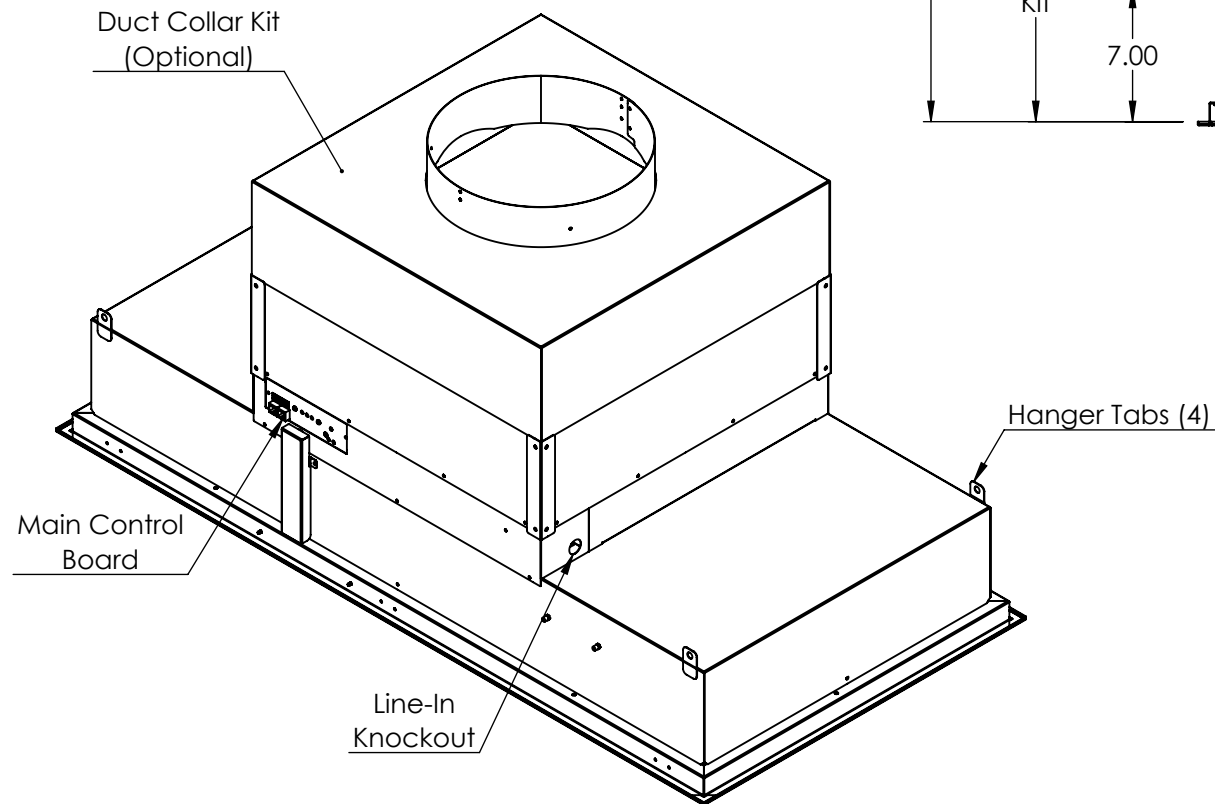
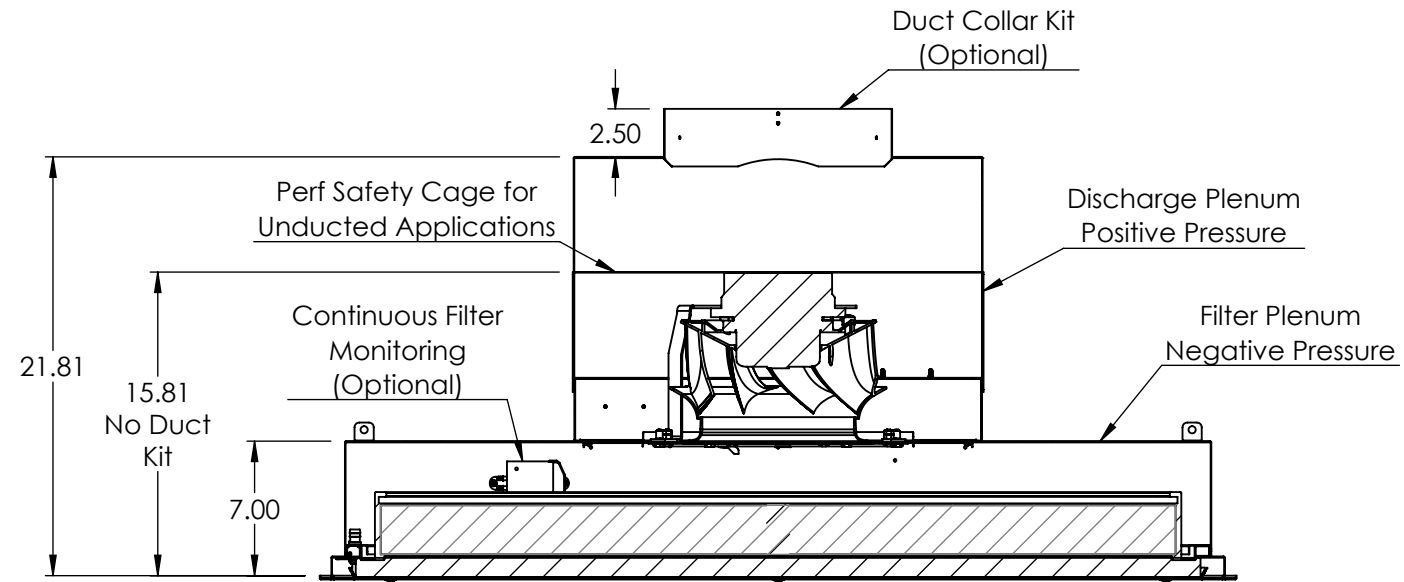


SSLFHD-FFU-RF-RSR

FAN FILTER UNIT - REVERSE FLOW
ROOMSIDE REPLACEABLE



AJ MANUFACTURING CO. INC.
8701 ELMWOOD AVE #400, KANSAS CITY, MO 64132
PH: 816.231.5522 / WWW.AJMFG.COM



FACE FRAME AND HEPA FILTER REMOVED FOR CLARITY

SSLFHD-FFU-RF-RSR-LED

FAN FILTER UNIT - REVERSE FLOW
W/LED LIGHTING
ROOMSIDE REPLACEABLE



AJ MANUFACTURING CO. INC.
8701 ELMWOOD AVE #400, KANSAS CITY, MO 64132
PH: 816.231.5522 / WWW.AJMFG.COM

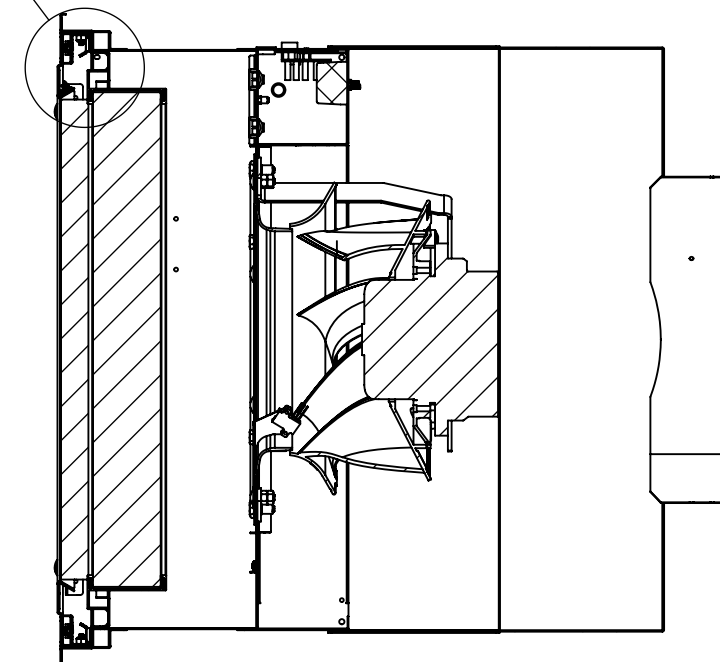
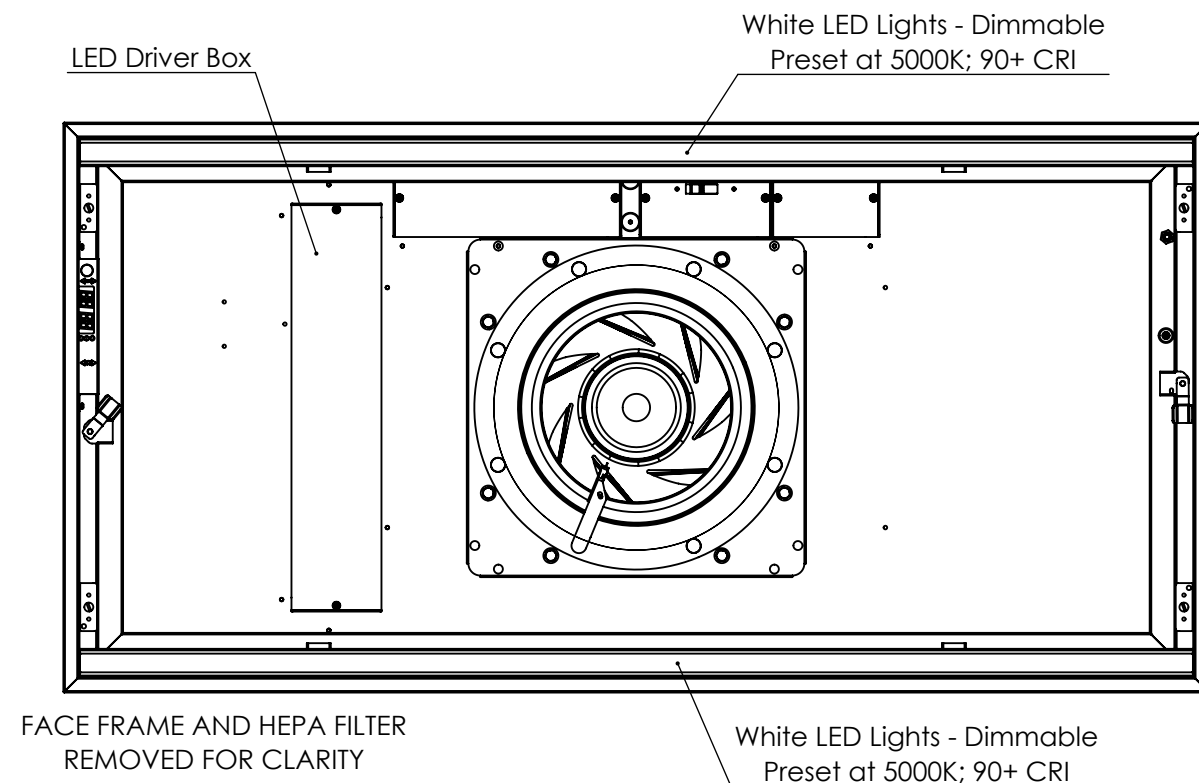
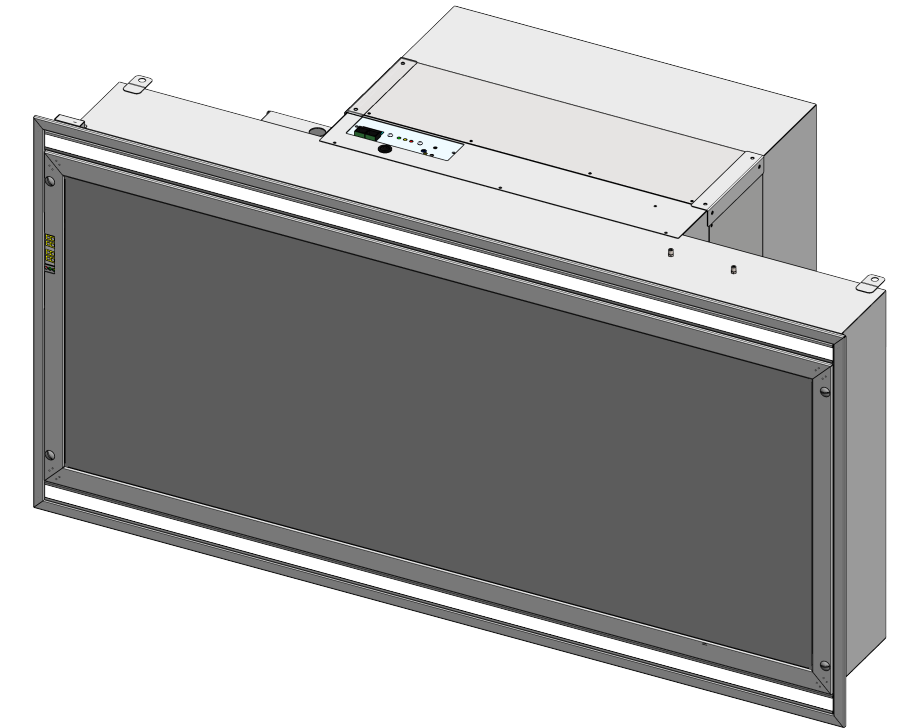
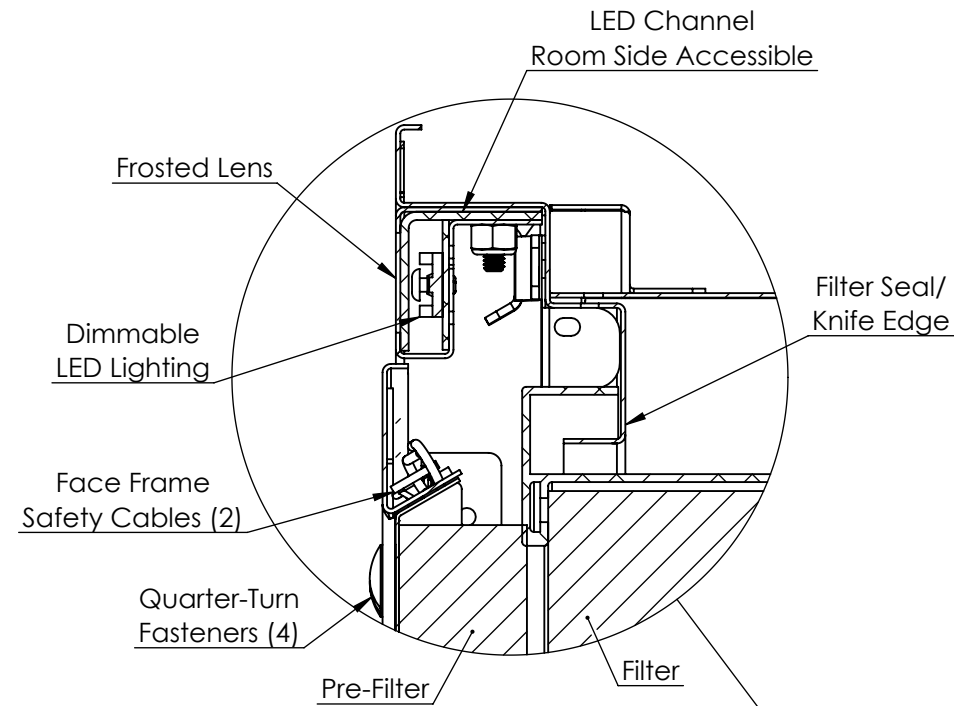


MEETS THE FOLLOWING UL LISTINGS

- UL 1598 - Standard for Safety Luminaires
- UL 2043 - Standard for Safety Fire Test
- UL 2108 - Standard for Low Voltage Lighting Systems
- UL 8750 - Standard for Light Emitting Diode (LED) Equipment for Use in Lighting Products
- UL 1310 - Standard for Class 2 Power Units
- UL 94 - Standard for Tests for Flammability of Plastic Materials for Parts in Devices and Appliances

LIGHTING SPECIFICATIONS

- Color: White; Preset at 5000K; 90+ CRI
- Dimmable LEDs Controlled via 0-10VDC Dimmer
- Driver - 60watt - Class 2 - 120V, 230V, or 277V AC Input
- 120VAC = 1.05Amps per Driver or
- 230VAC = 0.58Amps per Driver or
- 277VAC = 0.48Amps per Driver



SECTION B-B
SCALE 1 : 7