

# LFHFD-FFU-RSR

FAN FILTER UNIT  
ROOMSIDE REPLACEABLE



AJ MANUFACTURING CO. INC.  
8701 ELMWOOD AVE #400, KANSAS CITY, MO 64132  
PH: 816.231.5522 / WWW.AJMFG.COM

## STANDARD CONSTRUCTION

- Aluminum w/Filter Gel Seal Knife Edge
- Non-Ducted Inlet
- EC Motor with Backward Curved Composite Impeller
- 70mm Gel Seal H14 HEPA Filter - 99.995% on 0.3 µm, Room Side Replaceable
- 51% Perf Face
- Airflow Sensor
- Constant Volume
- Adjustable Face Control w/USB-C Port
- 3-Piece Plenum
- Lay-In / Surface Mounting
- Walkable Plenum up to 250lbs
- Hanger Tabs for Unit Support Above Ceiling
- Integrated Controller, BAS Compatible with Modbus or BACnet Options and Real-Time CFM Monitoring

## FEATURE OPTIONS

- Duct Collar Kit
  - Round - Size: \_\_\_\_\_
  - Oval - Size: \_\_\_\_\_
  - Rectangle - Size: \_\_\_\_\_
    - Flanged
- Foil Backed Insulation
  - 1.5" (R=4.2)
  - 2.25" (R=6.0)
- HEPA-Lert Filter Monitor
- 2 Test Ports
- PAO Challenge System  
*(Requires 2 Test Ports)*
- Continuous Filter Monitoring
- Touchscreen Wall Control *(Up to 400 Units)*
- Basic Wall Control *(One Per Unit)*

## ORDER SIZE

W=\_\_\_\_\_ x H=\_\_\_\_\_

## FINISH OPTIONS

- Mill
- White Antimicrobial Powder Coat
- Other: \_\_\_\_\_

## PRE-FILTER OPTIONS

- MERV 4 Washable
- MERV 8 Pleated

## FILTER OPTIONS

- ULPA Filter - 99.9995% on 0.12 µm

## MOTOR PROGRAM OPTIONS

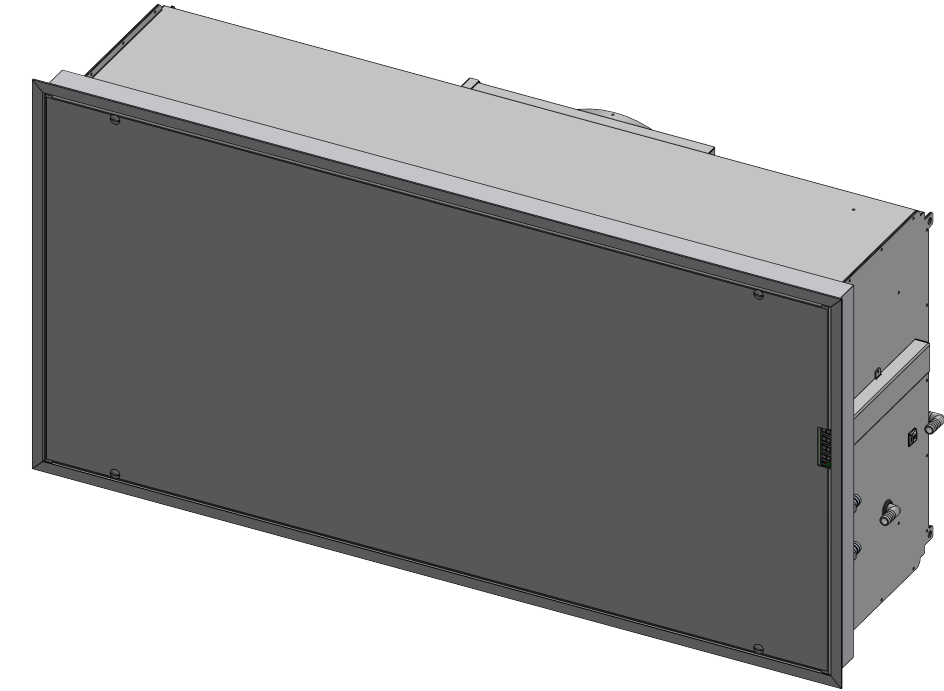
- CFM Control
- RPM Control

## FAN VOLTAGE OPTIONS

- 120VAC
- 208VAC
- 240VAC
- 277VAC

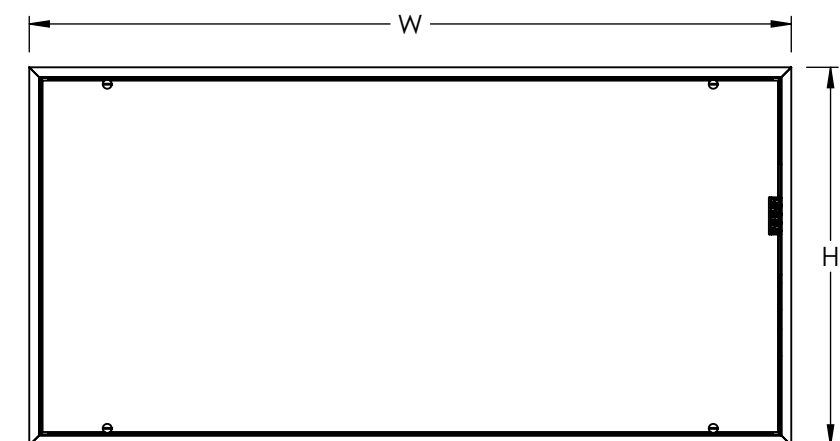
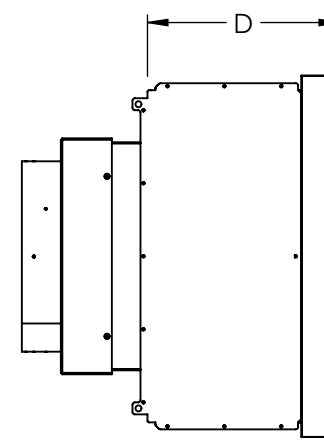
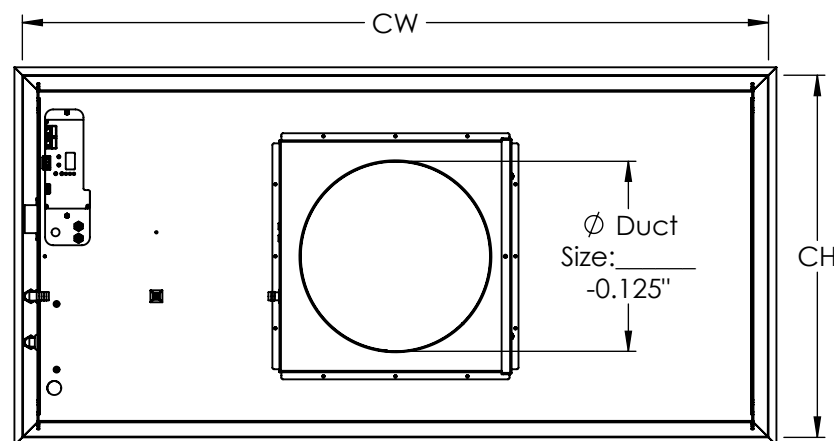
## FAN CONTROL OPTIONS

- MODBUS
  - RTU
  - IP
- BACnet
  - TCP/IP
  - MS/TP
- 0 - 10VDC Input



MOTOR/ FAN	FILTER	FILTER MEDIA DEPTH	NOMINAL UNIT SIZE	OVERALL WIDTH (W)	OVERALL HEIGHT (H)	DEPTH (D)	CUTOUT WIDTH (CW)	CUTOUT HEIGHT (CH)	ACTIVE FILTER FACE AREA (SQ.FT.)	MAX CFM	WATTS AT MAX CFM	CFM AT 100 FPM	WATTS AT 100 FPM *	SOUND AT 100 FPM (dBA)	FULL LOAD AMPS (FLA) (120/208/240/277)
ECM-BC	RSR	70mm	24 X 24	23.625	23.625	12.00	22.75	22.75	2.00	300	160	200	39	48	2.2/1.59/1.38/1.2
			36 X 24	35.625	23.625	12.00	34.75	22.75	3.42	500	210	342	49	50	
			48 X 24	47.625	23.625	12.00	46.75	22.75	4.84	750	230	484	50	51	

\* Based on 60Hz, no Pre-Filter, 0.00" ESP



**LFHFD-FFU-RSR**  
**FAN FILTER UNIT**  
**ROOMSIDE REPLACEABLE**



**AJ MANUFACTURING CO. INC.**  
 8701 ELMWOOD AVE #400, KANSAS CITY, MO 64132  
 PH: 816.231.5522 / WWW.AJMFG.COM

