

# SSLF

## LAMINAR FLOW DIFFUSER



AJ MANUFACTURING CO. INC.  
8701 ELMWOOD AVE #400, KANSAS CITY, MO 64132  
PH: 816.231.5522 / WWW.AJMFG.COM

### STANDARD CONSTRUCTION

- 304 Stainless Steel
- Seam Welded Plenum Corners
- Lay-In / Surface Mounting
- Walkable Plenum up to 250lbs
- Hanger Tabs for Unit Support Above Ceiling

### FEATURE OPTIONS

- Foil Backed Insulation
  - 1.5" (R=4.2)
  - 2.25" (R=6.0)
- Diffuser Basket
- Dual Perf (2nd Panel/Layer of Perf)
- Hinged Face Frame
- Seam Welded Inlet Collar
- Hard Ceiling Clamping System
- Hanger Brackets  
(for use with 3/8" threaded rod by others)
- Custom Unit Depth: \_\_\_\_\_

### INLET OPTIONS

- Inlet Location
  - Top Inlet
  - Side Inlet
  - End Inlet
- Inlet Shape/Size
  - Round - Size: \_\_\_\_\_
  - Oval - Size: \_\_\_\_\_
  - Rectangle - Size: \_\_\_\_\_
    - Flanged

### SSLF-BASKET (See Page 3 of 3 for Additional Details)

- SSLF-BASKET

### ORDER SIZE

W: \_\_\_\_\_ x H: \_\_\_\_\_

### MATERIAL OPTIONS

- 316 Stainless Steel

### FINISH OPTIONS

- Polished
- White Antimicrobial Powder Coat
- Other: \_\_\_\_\_

### FACE OPTIONS

- Perf Face
- CLCD Face
- Swirl Face

### PERF OPTIONS

- 13% - Standard
- 23% - Medium
- 33% - High
- 51% - Max

### LIGHTING OPTIONS (See Page 2 of 3 for Additional Details)

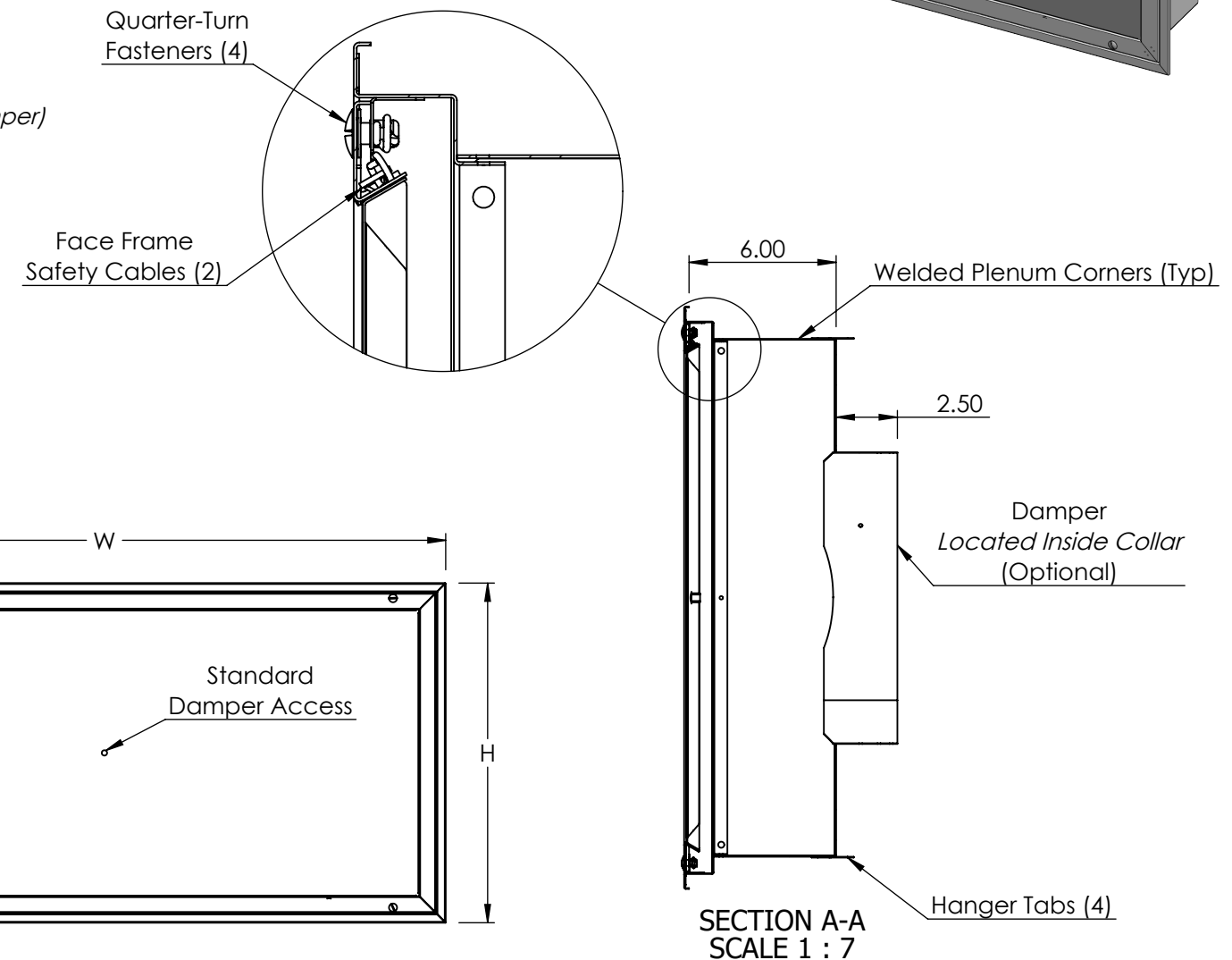
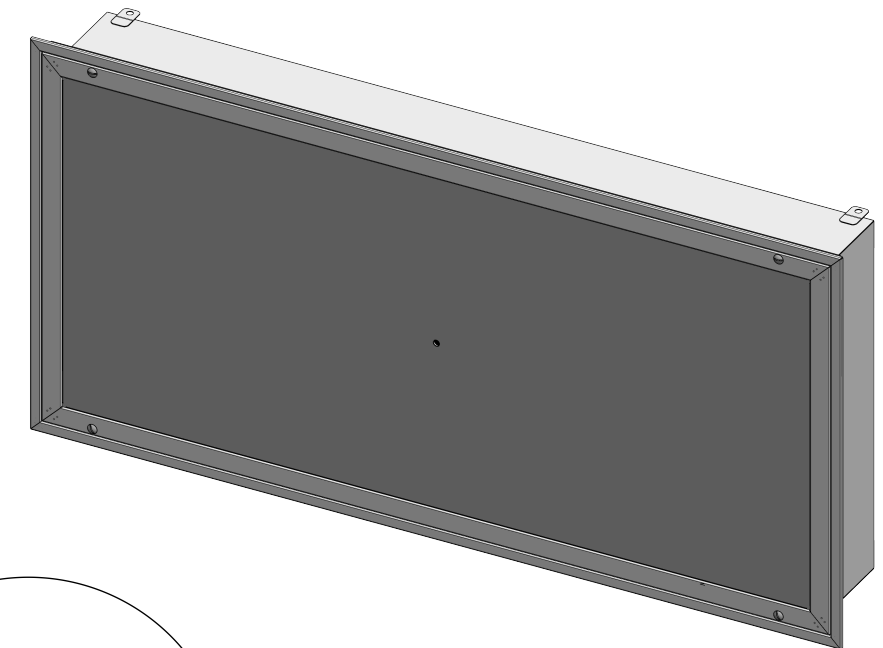
- Color: White; Preset at 5000K; 90+ CRI
- Color: White; Preset; 90+ CRI
  - 2700       3000       3500       4000
  - 4500       5000       6500
- Color: Tunable from 2700K-6500K via 0-10VDC Dimmer; 90+ CRI
- Other Color: \_\_\_\_\_
- Battery Backup
  - 20% of Light Output for up to 90 Minutes

### DAMPER TYPE

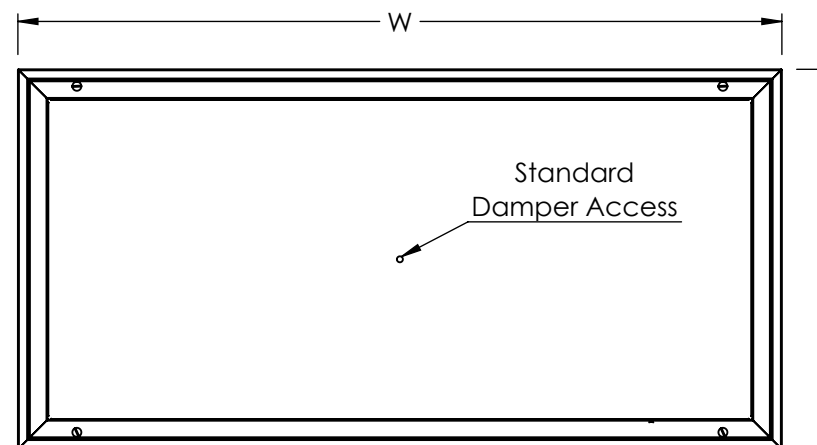
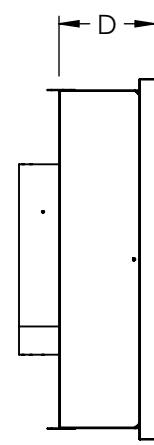
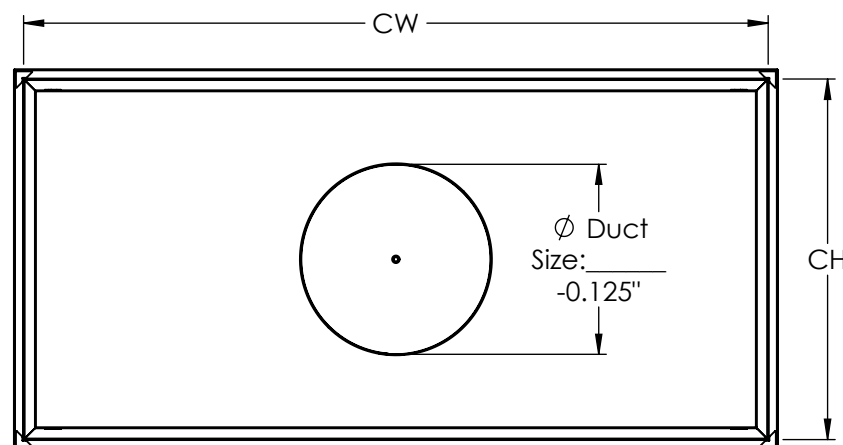
- SSRD - Butterfly Damper
- SSBD - Bowtie Damper
- SSDD - Disc Damper
  - Solid Disc
  - Solid Disc w/Perf Ring
  - Perf Disc
- SSSD - Slide Damper

### DAMPER OPTIONS

- Remote Damper  
(Not Available w/Disc Damper)



NOMINAL UNIT SIZE	OVERALL WIDTH (W)	OVERALL HEIGHT (H)	DEPTH (D)	CUTOUT WIDTH (CW)	CUTOUT HEIGHT (CH)
24 X 24	23.75	23.75	6.00	23.00	23.00
36 X 24	35.75	23.75	6.00	35.00	23.00
48 X 24	47.75	23.75	6.00	47.00	23.00



# SSLF-LED

## LAMINAR FLOW DIFFUSER W/LED LIGHTING



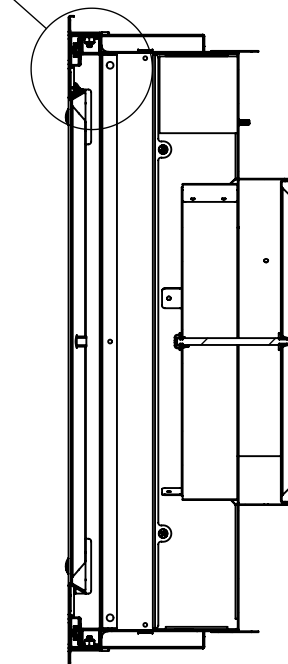
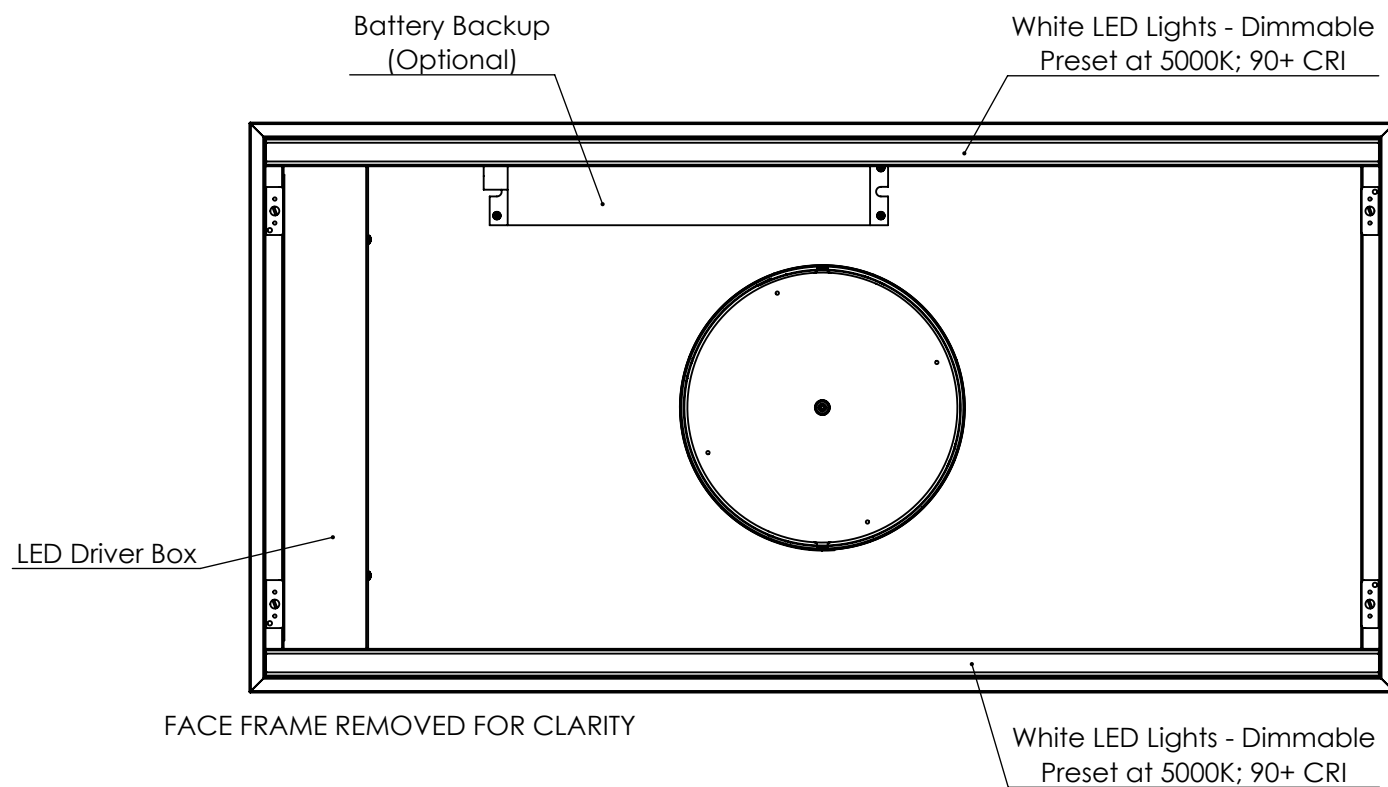
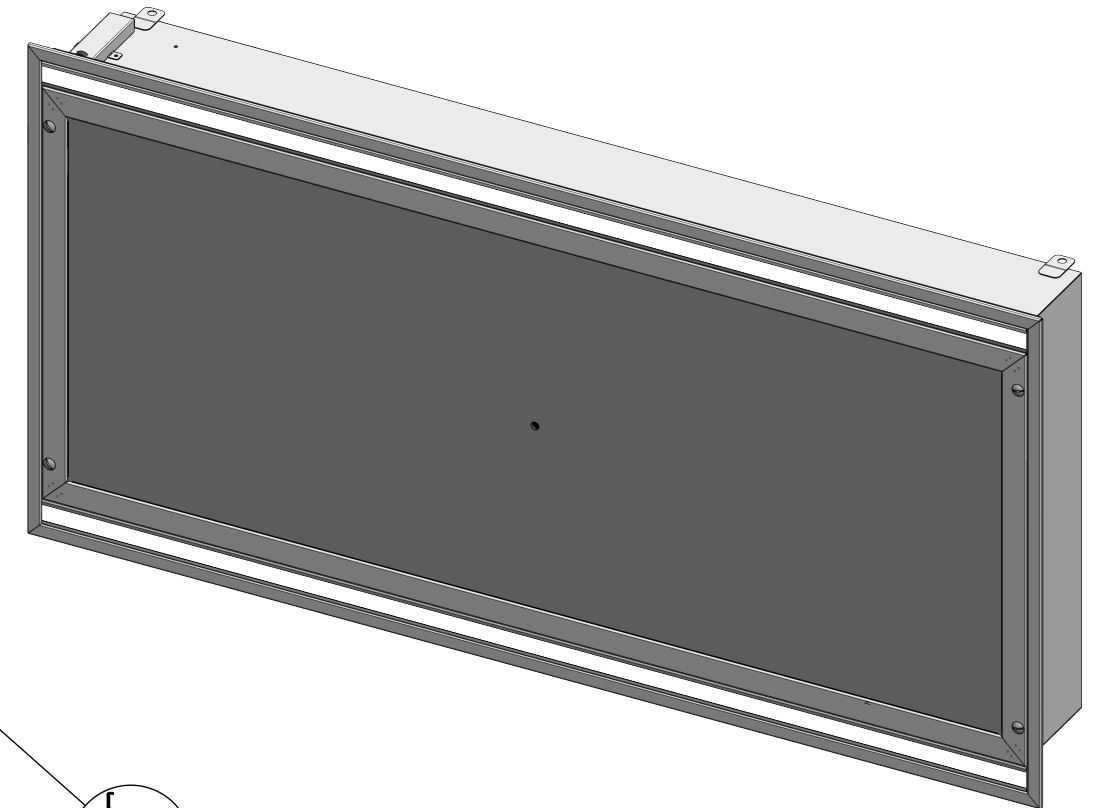
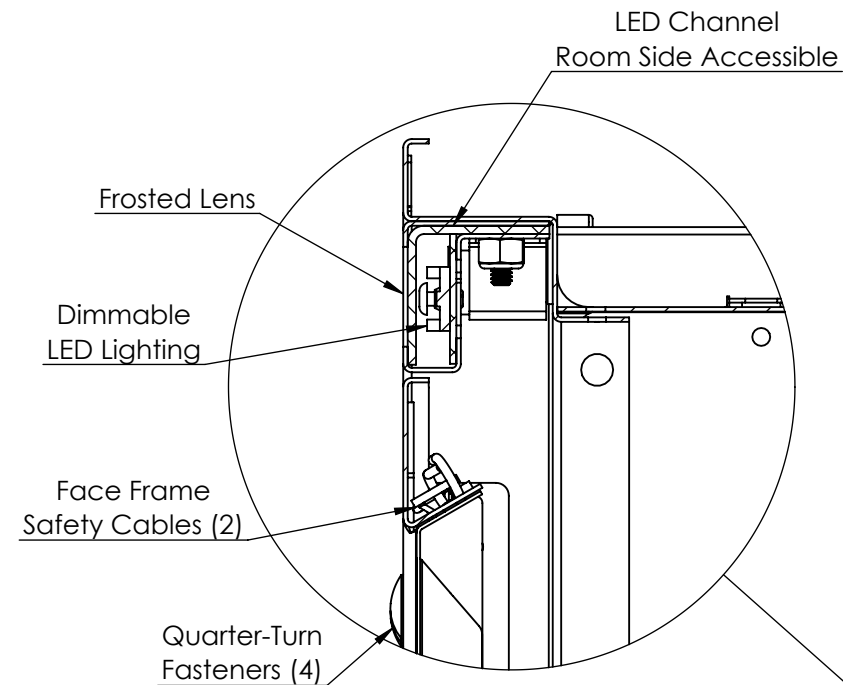
AJ MANUFACTURING CO. INC.  
8701 ELMWOOD AVE #400, KANSAS CITY, MO 64132  
PH: 816.231.5522 / WWW.AJMFG.COM

### MEETS THE FOLLOWING UL LISTINGS

- UL 1598 - Standard for Safety Luminaires
- UL 2043 - Standard for Safety Fire Test
- UL 2108 - Standard for Low Voltage Lighting Systems
- UL 8750 - Standard for Light Emitting Diode (LED) Equipment for Use in Lighting Products
- UL 1310 - Standard for Class 2 Power Units
- UL 94 - Standard for Tests for Flammability of Plastic Materials for Parts in Devices and Appliances

### LIGHTING SPECIFICATIONS

- Color: White; Preset at 5000K; 90+ CRI
- Dimmable LEDs Controlled via 0-10VDC Dimmer
- Driver - 60watt - Class 2 - 120V, 230V, or 277V AC Input
- 120VAC = 1.05Amps per Driver **or**
- 230VAC = 0.58Amps per Driver **or**
- 277VAC = 0.48Amps per Driver



# SSLF-BASKET

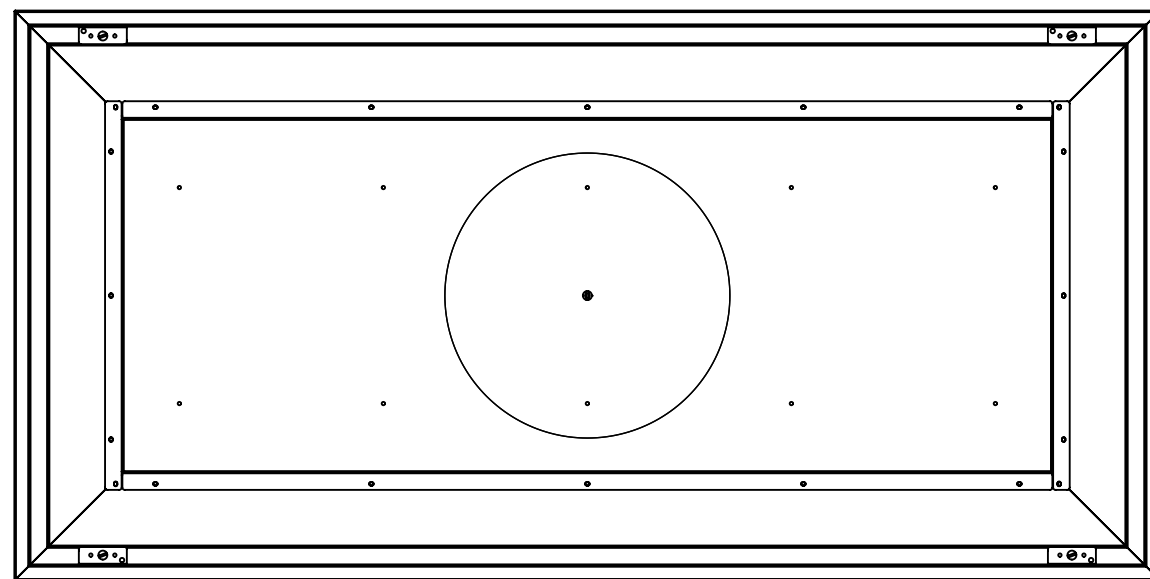
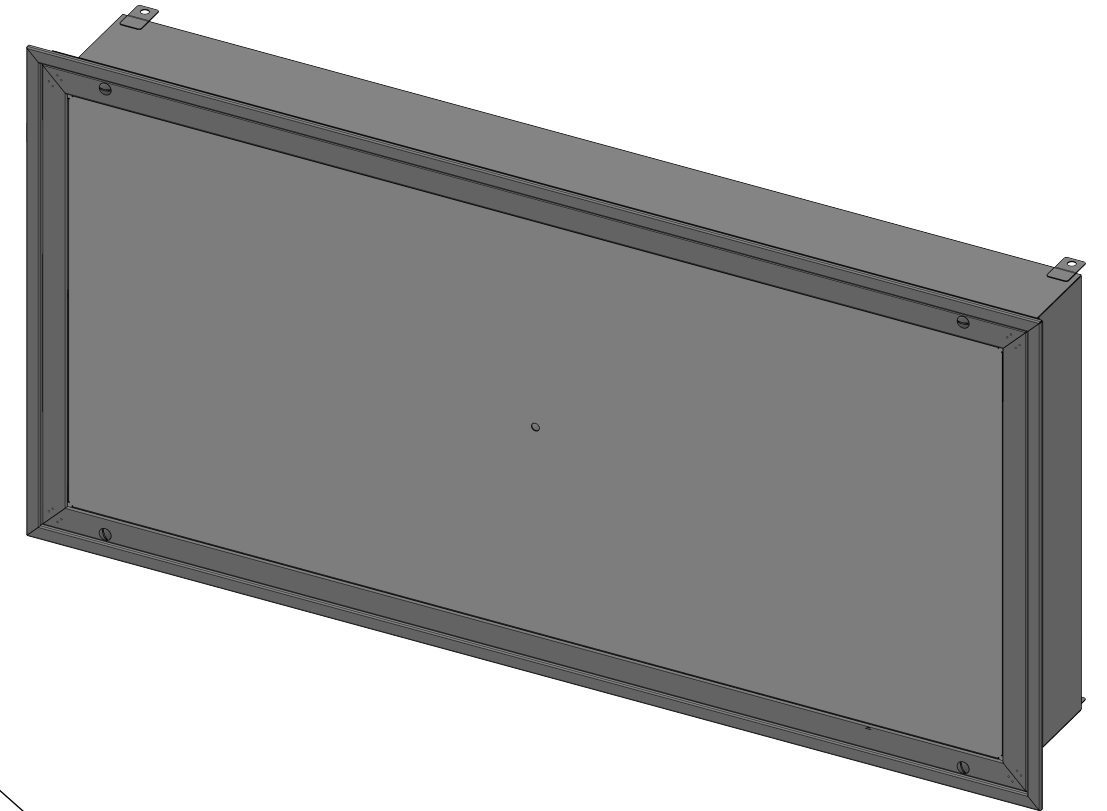
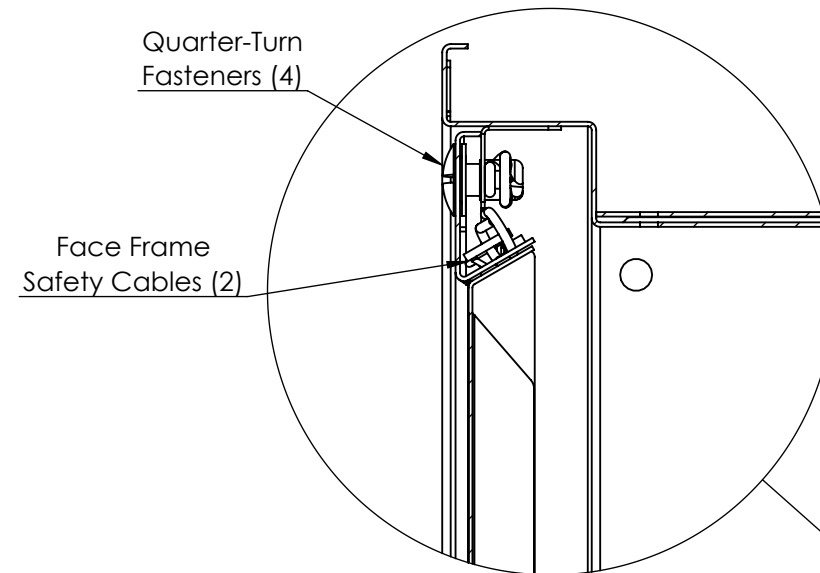
## LAMINAR FLOW DIFFUSER

### STANDARD CONSTRUCTION

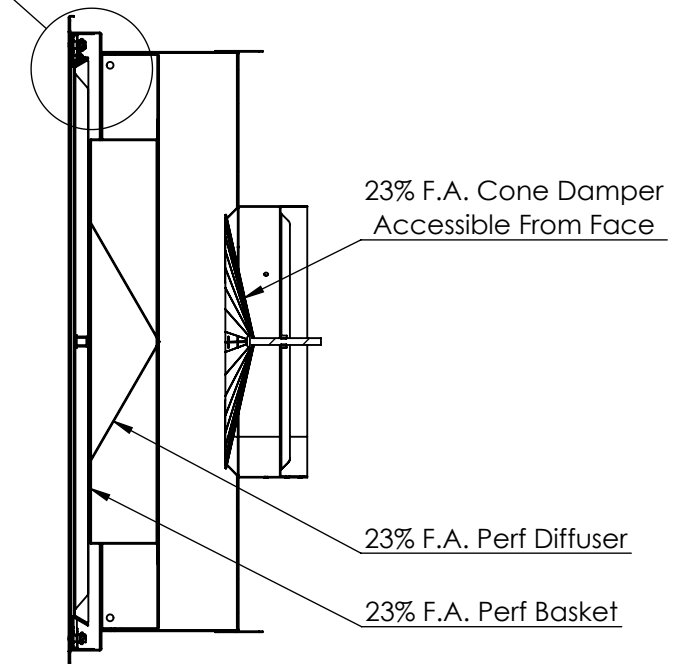
- 304 Stainless Steel w/Filter Gel Seal Knife Edge
- Seam Welded Plenum Corners
- Lay-In / Surface Mounting
- Walkable Plenum up to 250lbs
- Hanger Tabs for Unit Support Above Ceiling
- Cone Damper
- Perf Basket w/Diffuser



AJ MANUFACTURING CO. INC.  
8701 ELMWOOD AVE #400, KANSAS CITY, MO 64132  
PH: 816.231.5522 / WWW.AJMFG.COM



FACE FRAME REMOVED FOR CLARITY



SECTION C-C  
SCALE 1 : 7