

SSLFHFD

LAMINAR FLOW HEPA FILTER DIFFUSER



AJ MANUFACTURING CO. INC.
8701 ELMWOOD AVE #400, KANSAS CITY, MO 64132
PH: 816.231.5522 / WWW.AJMFG.COM

STANDARD CONSTRUCTION

- 304 Stainless Steel w/Filter Gel Seal Knife Edge
- 70mm Gel Seal H14 HEPA Filter - 99.995% on 0.3 µm, Room Side Replaceable
- Seam Welded Plenum Corners
- Lay-In / Surface Mounting
- Walkable Plenum up to 250lbs
- Hanger Tabs for Unit Support Above Ceiling

ORDER SIZE

W: _____ x H: _____

FEATURE OPTIONS

- Foil Backed Insulation
 - 1.5" (R=4.2)
 - 2.25" (R=6.0)
- HEPA-Lert Filter Monitor
 - Battery
 - 24V Supply (By Others)
- Test Ports
 - 1 Port
 - 2 Ports
- PAO Challenge System (Requires 2 Test Ports)
- Diffuser Basket
- Dual Perf (2nd Panel/Layer of Perf)
- Hinged Face Frame
- Seam Welded Inlet Collar
- Hard Ceiling Clamping System
- Hanger Brackets (for use with 3/8" threaded rod by others)
- Custom Unit Depth: _____

INLET OPTIONS

- Inlet Location
 - Top Inlet
 - Side Inlet
 - End Inlet
- Inlet Shape/Size
 - Round - Size: _____
 - Oval - Size: _____
 - Rectangle - Size: _____
 - Flanged

MATERIAL OPTIONS

- 316 Stainless Steel

FINISH OPTIONS

- Polished
- White Antimicrobial Powder Coat
- Other: _____

FACE OPTIONS

- Perf Face
- CLCD Face
- Swirl Face

PERF OPTIONS

- 13% - Standard
- 23% - Medium
- 33% - High
- 51% - Max

FILTER OPTIONS

- ULPA Filter - 99.9995% on 0.12 µm

LIGHTING OPTIONS (See Page 3 of 3 for Additional Details)

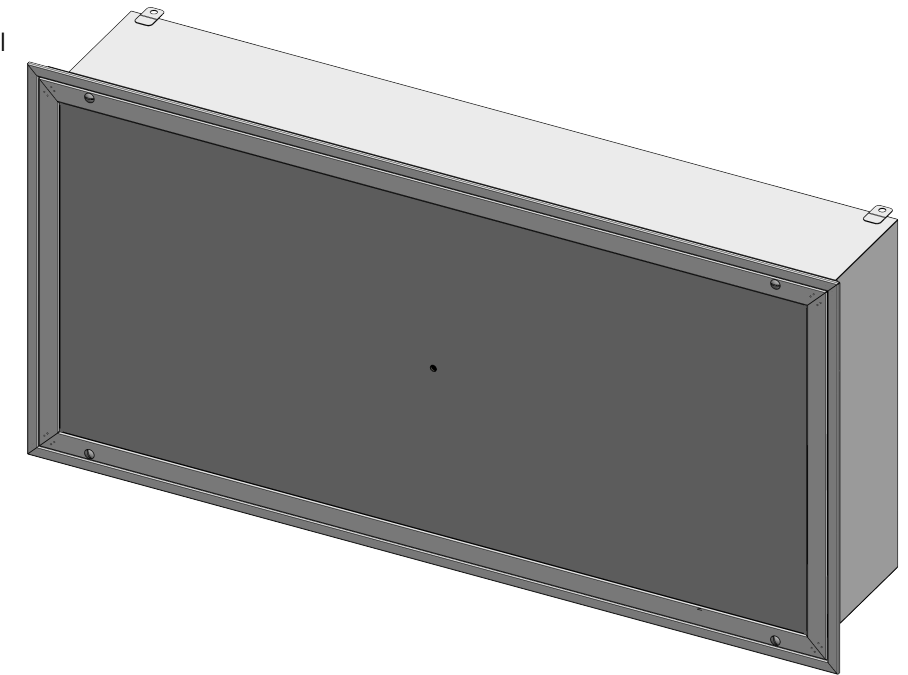
- Color: White; Preset at 5000K; 90+ CRI
- Color: White; Preset; 90+ CRI
 - 2700 3000 3500 4000
 - 4500 5000 6500
- Color: Tunable from 2700K-6500K via 0-10VDC Dimmer; 90+ CRI
- Other Color: _____
- Battery Backup
 - 20% of Light Output for up to 90 Minutes

DAMPER TYPE

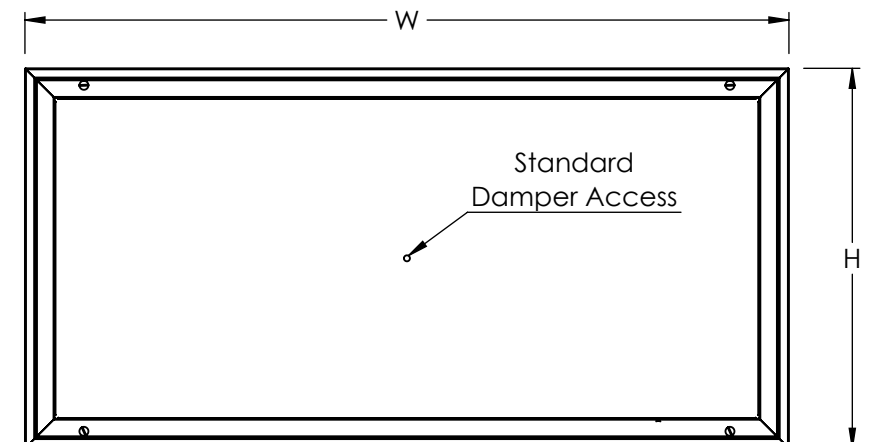
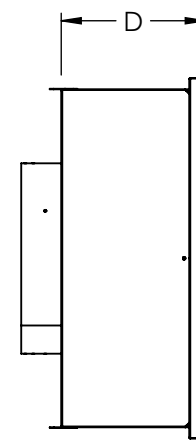
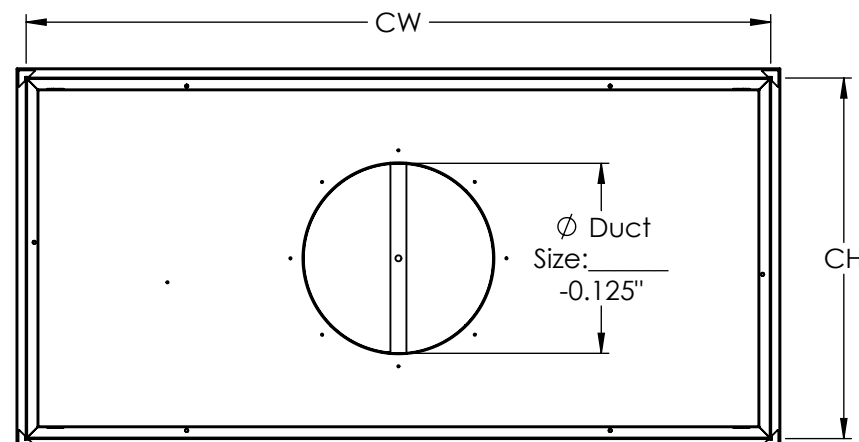
- SSRD - Butterfly Damper
- SSBD - Bowtie Damper
- SSDD - Disc Damper
 - Solid Disc
 - Solid Disc w/Perf Ring
 - Perf Disc
- SSSD - Slide Damper

DAMPER OPTIONS

- Remote Damper (Not Available w/Disc Damper)



FILTER	NOMINAL UNIT SIZE	OVERALL WIDTH (W)	OVERALL HEIGHT (H)	DEPTH (D)	CUTOUT WIDTH (CW)	CUTOUT HEIGHT (CH)	ACTIVE FILTER FACE AREA (SQ.FT.)
RSR	24 X 24	23.75	23.75	9.00	23.00	23.00	2.00
	36 X 24	35.75	23.75	9.00	35.00	23.00	3.42
	48 X 24	47.75	23.75	9.00	47.00	23.00	4.84

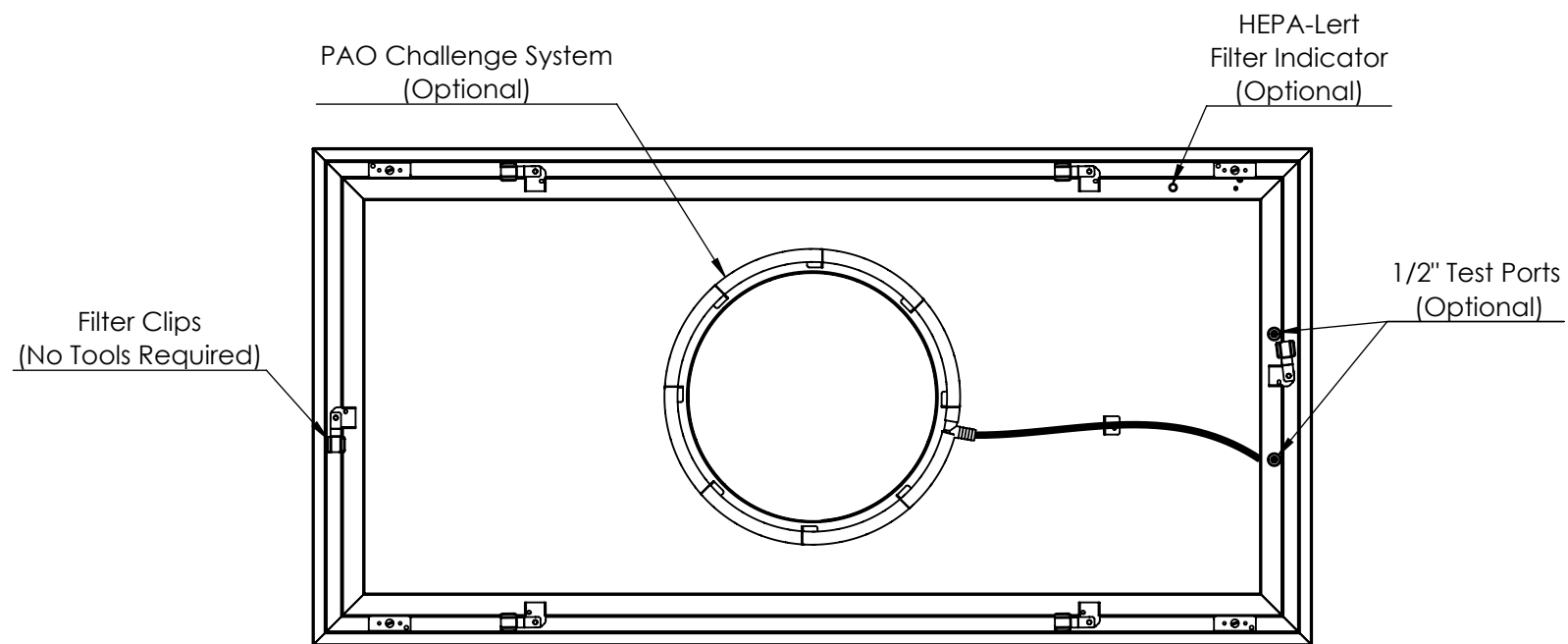
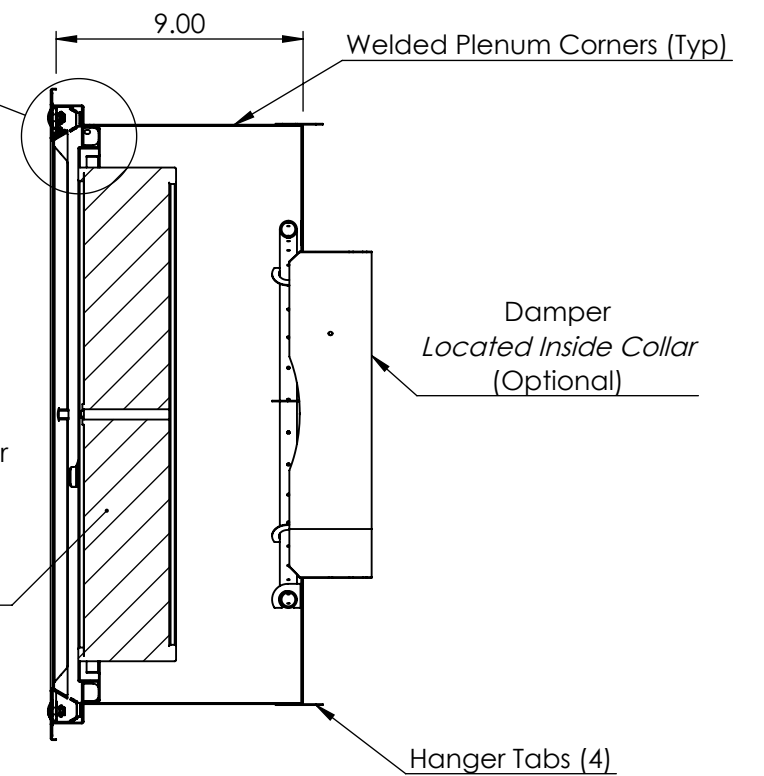
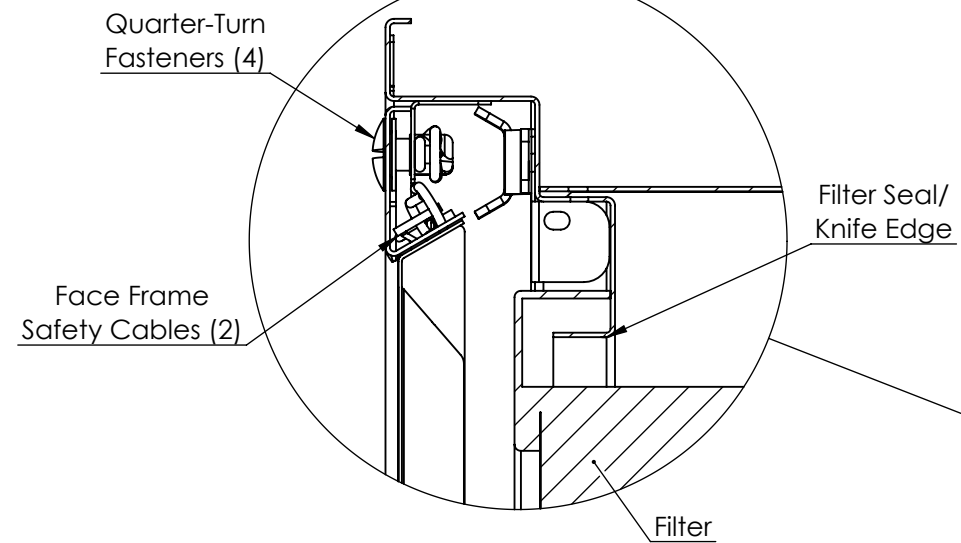
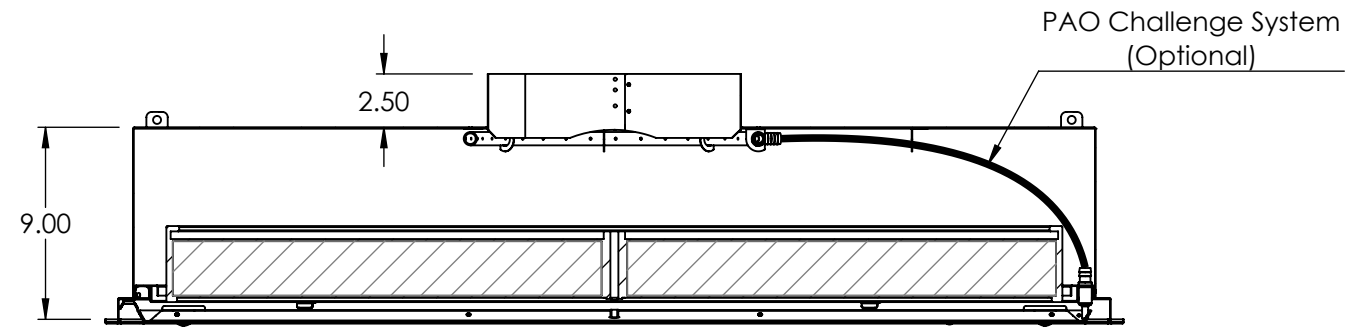
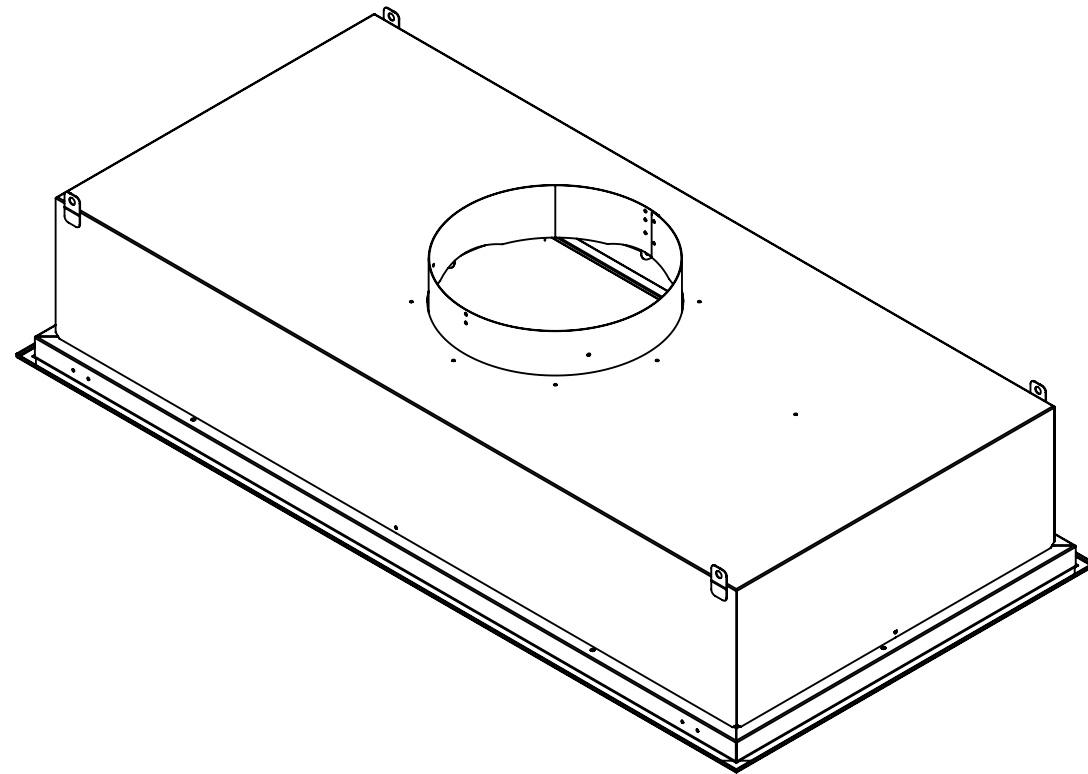


SSLFHFD

LAMINAR FLOW HEPA FILTER DIFFUSER



AJ MANUFACTURING CO. INC.
8701 ELMWOOD AVE #400, KANSAS CITY, MO 64132
PH: 816.231.5522 / WWW.AJMFG.COM



FACE FRAME AND HEPA FILTER
REMOVED FOR CLARITY

SSLFHD-LED

LAMINAR FLOW HEPA FILTER DIFFUSER W/LED LIGHTING



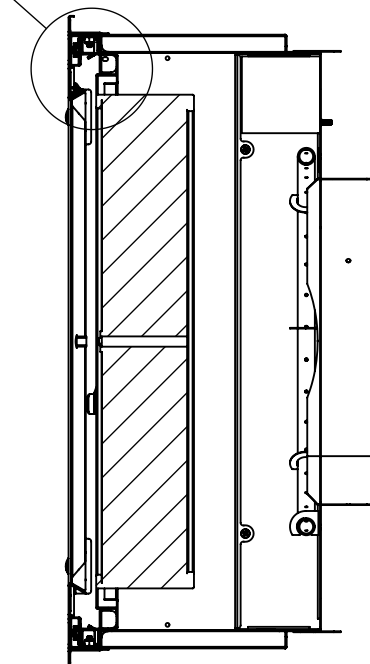
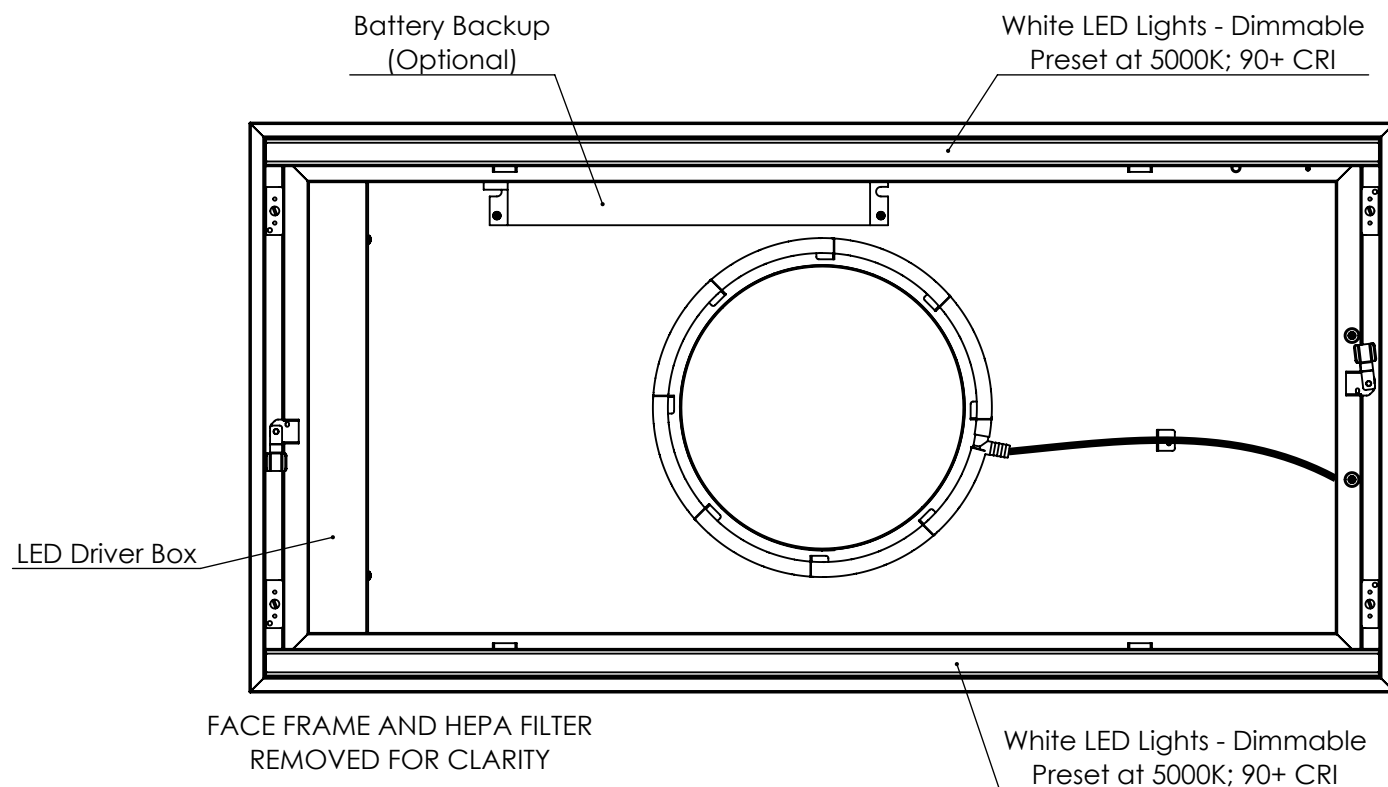
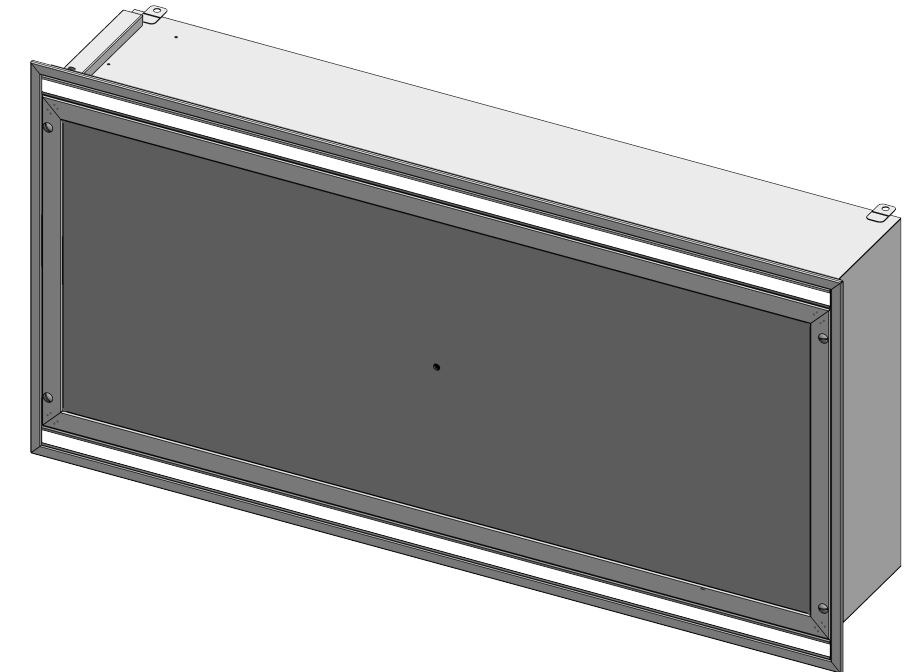
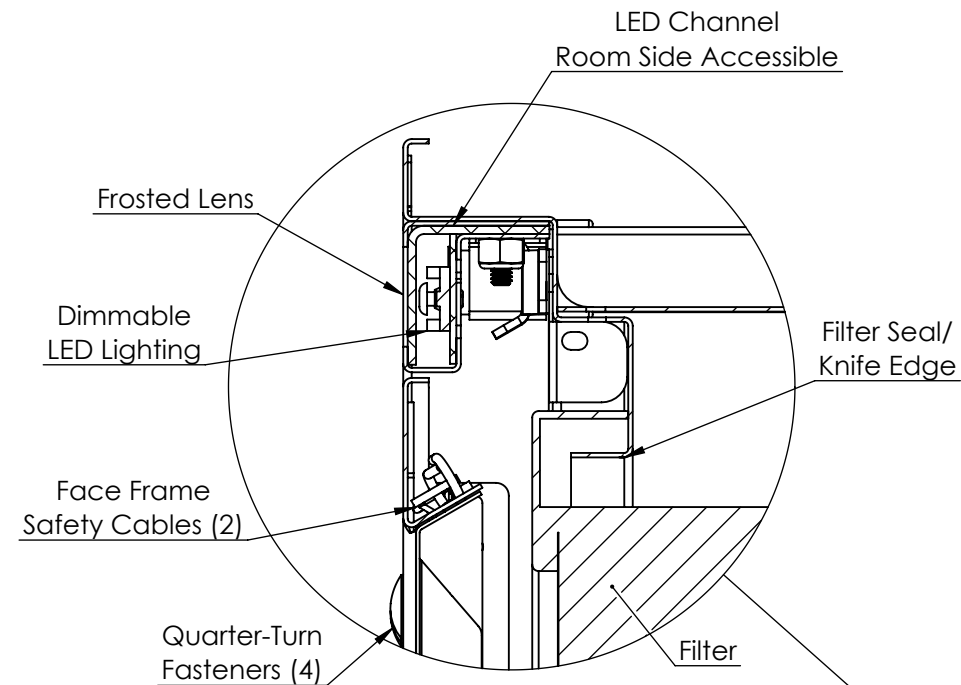
AJ MANUFACTURING CO. INC.
8701 ELMWOOD AVE #400, KANSAS CITY, MO 64132
PH: 816.231.5522 / WWW.AJMFG.COM

MEETS THE FOLLOWING UL LISTINGS

- UL 1598 - Standard for Safety Luminaires
- UL 2043 - Standard for Safety Fire Test
- UL 2108 - Standard for Low Voltage Lighting Systems
- UL 8750 - Standard for Light Emitting Diode (LED) Equipment for Use in Lighting Products
- UL 1310 - Standard for Class 2 Power Units
- UL 94 - Standard for Tests for Flammability of Plastic Materials for Parts in Devices and Appliances

LIGHTING SPECIFICATIONS

- Color: White; Preset at 5000K; 90+ CRI
- Dimmable LEDs Controlled via 0-10VDC Dimmer
- Driver - 60watt - Class 2 - 120V, 230V, or 277V AC Input
- 120VAC = 1.05Amps per Driver **or**
- 230VAC = 0.58Amps per Driver **or**
- 277VAC = 0.48Amps per Driver



SECTION B-B
SCALE 1 : 7