

LFHFD

LAMINAR FLOW HEPA FILTER DIFFUSER



AJ MANUFACTURING CO. INC.
8701 ELMWOOD AVE #400, KANSAS CITY, MO 64132
PH: 816.231.5522 / WWW.AJMFG.COM

STANDARD CONSTRUCTION

- Aluminum w/Filter Gel Seal Knife Edge
- 70mm Gel Seal H14 HEPA Filter - 99.995% on 0.3 µm, Room Side Replaceable
- 3-Piece Plenum
- Lay-In / Surface Mounting
- Walkable Plenum up to 250lbs
- Hanger Tabs for Unit Support Above Ceiling

FEATURE OPTIONS

- Foil Backed Insulation
 - 1.5" (R=4.2)
 - 2.25" (R=6.0)
- HEPA-Lert Filter Monitor
 - Battery
 - 24V Supply (By Others)
- 2 Test Ports
- PAO Challenge System (Requires 2 Test Ports)
- Dual Perf (2nd Panel/Layer of Perf)
- Custom Unit Depth: _____

INLET OPTIONS

- Inlet Location
 - Top Inlet
 - Side Inlet
 - End Inlet
- Inlet Shape/Size
 - Round - Size: _____
 - Oval - Size: _____
 - Rectangle - Size: _____
 - Flanged

ORDER SIZE

W=_____ x H=_____

FINISH OPTIONS

- Mill
- White Antimicrobial Powder Coat
- Other: _____

PERF OPTIONS

- 13% - Standard
- 23% - Medium
- 33% - High
- 51% - Max

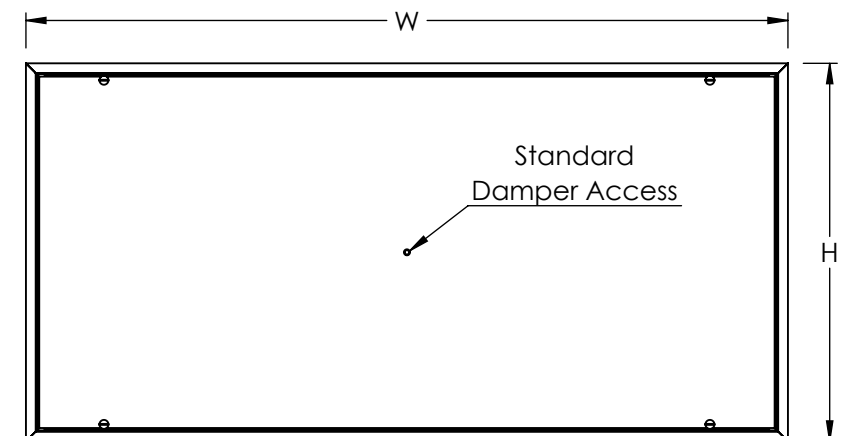
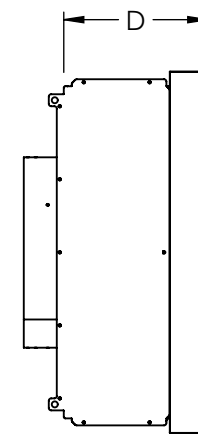
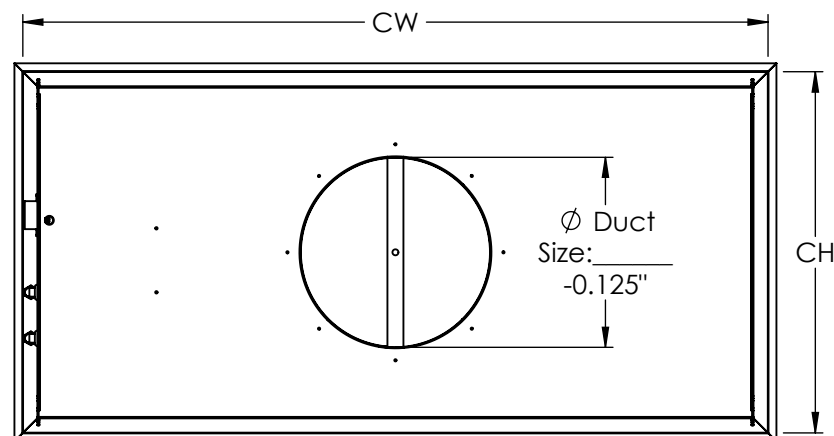
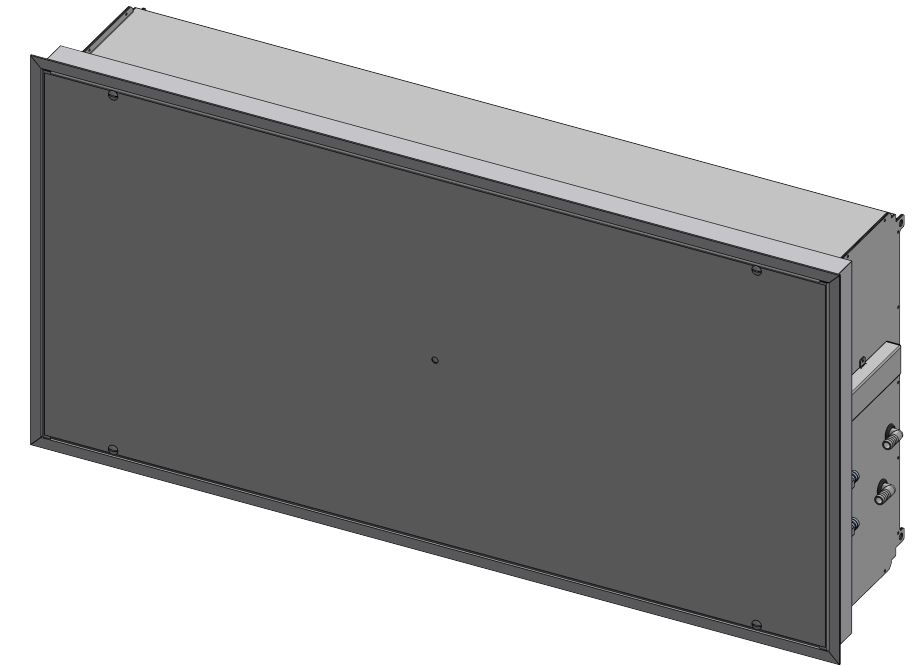
FILTER OPTIONS

- ULPA Filter - 99.9995% on 0.12 µm

DAMPER TYPE

- SSRD - Butterfly Damper
- SSBD - Bowtie Damper
- SSDD - Disc Damper
 - Solid Disc
 - Solid Disc w/Perf Ring
 - Perf Disc
- SSSD - Slide Damper

FILTER	NOMINAL UNIT SIZE	OVERALL WIDTH (W)	OVERALL HEIGHT (H)	DEPTH (D)	CUTOUT WIDTH (CW)	CUTOUT HEIGHT (CH)	ACTIVE FILTER FACE AREA (SQ.FT.)
RSR	24 X 24	23.625	23.625	9.00	22.75	22.75	2.00
	36 X 24	35.625	23.625	9.00	34.75	22.75	3.42
	48 X 24	47.625	23.625	9.00	46.75	22.75	4.84

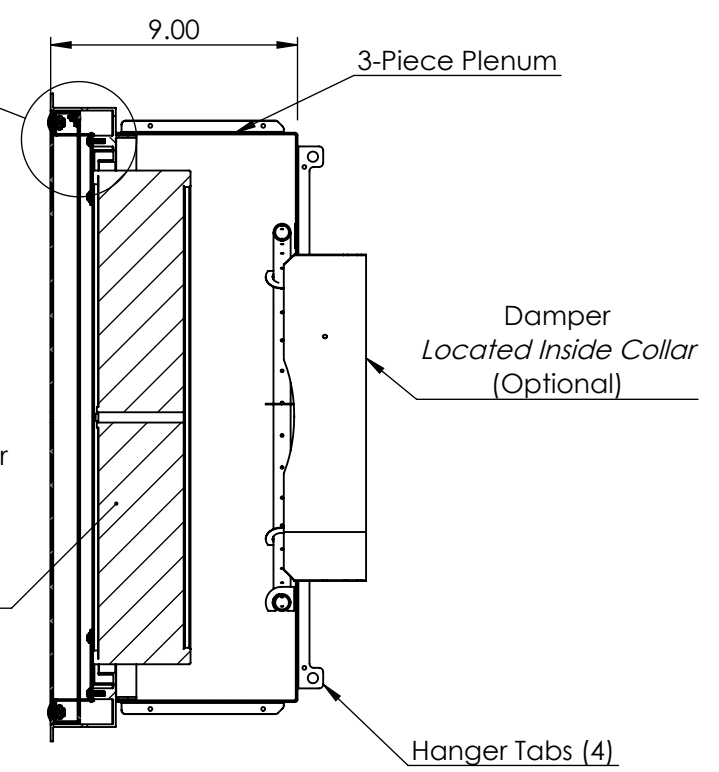
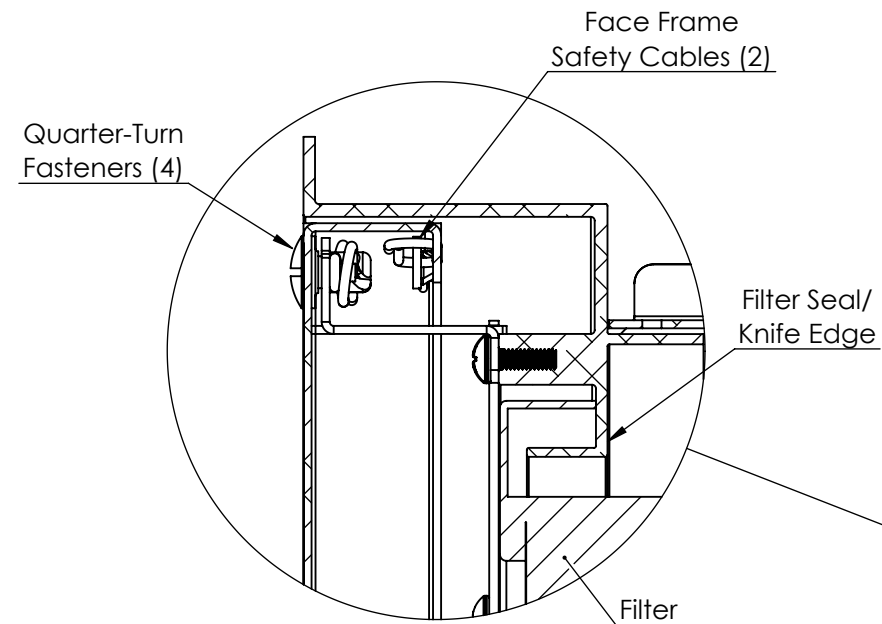
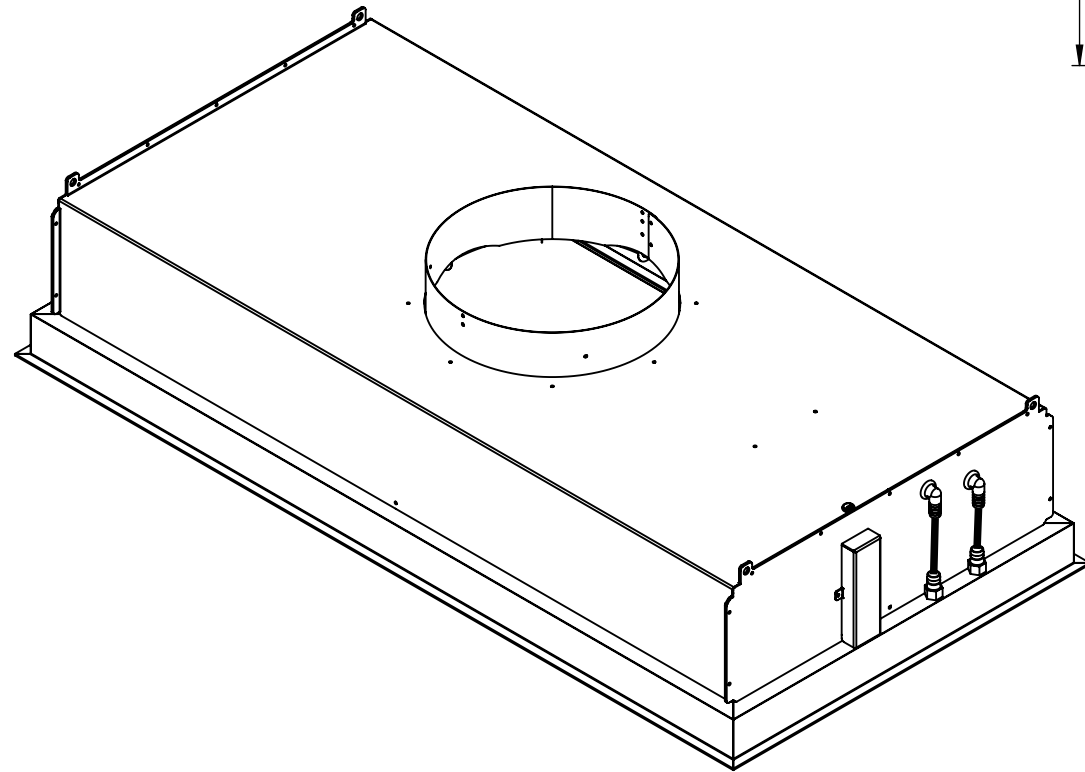
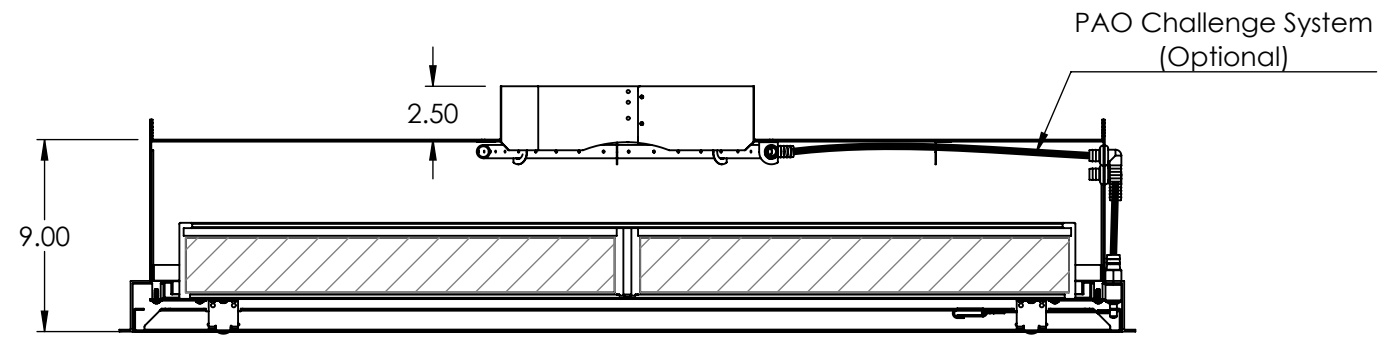


LFHFD

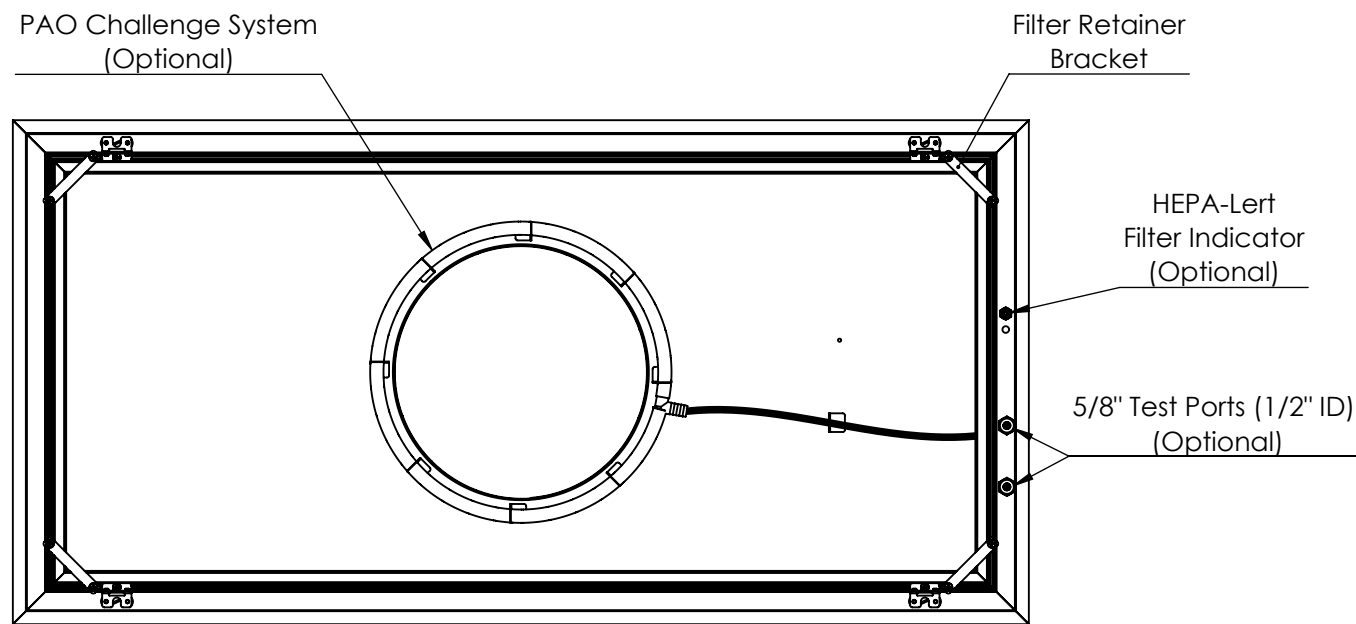
LAMINAR FLOW HEPA FILTER DIFFUSER



AJ MANUFACTURING CO. INC.
8701 ELMWOOD AVE #400, KANSAS CITY, MO 64132
PH: 816.231.5522 / WWW.AJMFG.COM



SECTION A-A
SCALE 1 : 7



FACE FRAME AND HEPA FILTER
REMOVED FOR CLARITY