

# LFHFD

## LAMINAR FLOW HEPA FILTER DIFFUSER



AJ MANUFACTURING CO. INC.  
8701 ELMWOOD AVE #400, KANSAS CITY, MO 64132  
PH: 816.231.5522 / WWW.AJMFG.COM

### STANDARD CONSTRUCTION

- Aluminum w/Filter Gel Seal Knife Edge
- 70mm Gel Seal H14 HEPA Filter - 99.995% on 0.3 µm, Room Side Replaceable
- 3-Piece Plenum
- Lay-In / Surface Mounting
- Walkable Plenum up to 250lbs
- Hanger Tabs for Unit Support Above Ceiling

### FEATURE OPTIONS

- Foil Backed Insulation
  - 1.5" (R=4.2)
  - 2.25" (R=6.0)
- HEPA-Lert Filter Monitor
  - Battery
  - 24V Supply (By Others)
- 2 Test Ports
- PAO Challenge System (Requires 2 Test Ports)
- Dual Perf (2nd Panel/Layer of Perf)
- Custom Unit Depth: \_\_\_\_\_

### INLET OPTIONS

- Inlet Location
  - Top Inlet
  - Side Inlet
  - End Inlet
- Inlet Shape/Size
  - Round - Size: \_\_\_\_\_
  - Oval - Size: \_\_\_\_\_
  - Rectangle - Size: \_\_\_\_\_
    - Flanged

### ORDER SIZE

W=\_\_\_\_\_ x H=\_\_\_\_\_

### FINISH OPTIONS

- Mill
- White Antimicrobial Powder Coat
- Other: \_\_\_\_\_

### PERF OPTIONS

- 13% - Standard
- 23% - Medium
- 33% - High
- 51% - Max

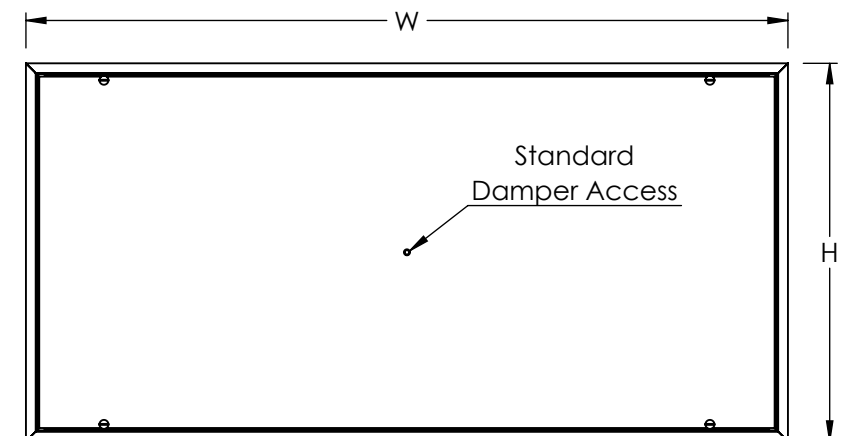
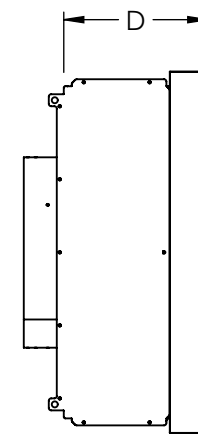
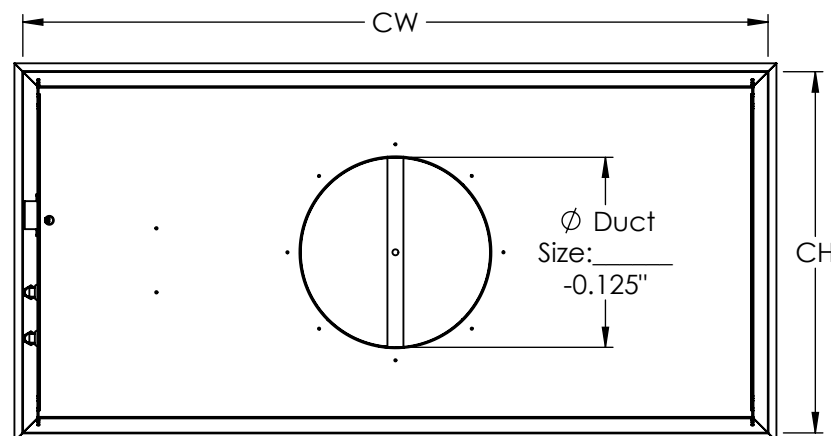
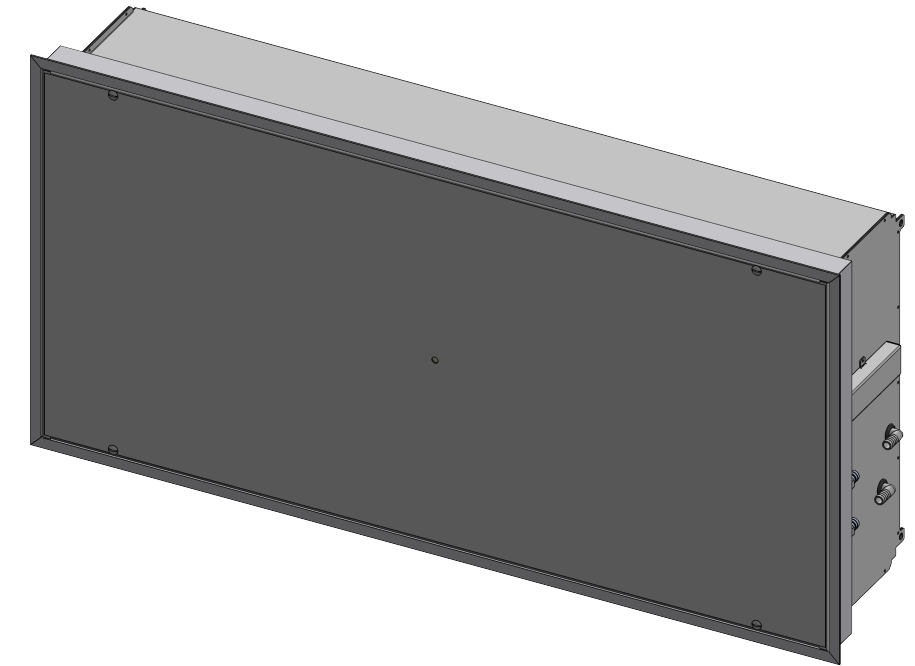
### FILTER OPTIONS

- ULPA Filter - 99.9995% on 0.12 µm

### DAMPER TYPE

- SSRD - Butterfly Damper
- SSBD - Bowtie Damper
- SSDD - Disc Damper
  - Solid Disc
  - Solid Disc w/Perf Ring
  - Perf Disc
- SSSD - Slide Damper

FILTER	NOMINAL UNIT SIZE	OVERALL WIDTH (W)	OVERALL HEIGHT (H)	DEPTH (D)	CUTOUT WIDTH (CW)	CUTOUT HEIGHT (CH)	ACTIVE FILTER FACE AREA (SQ.FT.)
RSR	24 X 24	23.625	23.625	9.00	22.75	22.75	2.00
	36 X 24	35.625	23.625	9.00	34.75	22.75	3.42
	48 X 24	47.625	23.625	9.00	46.75	22.75	4.84

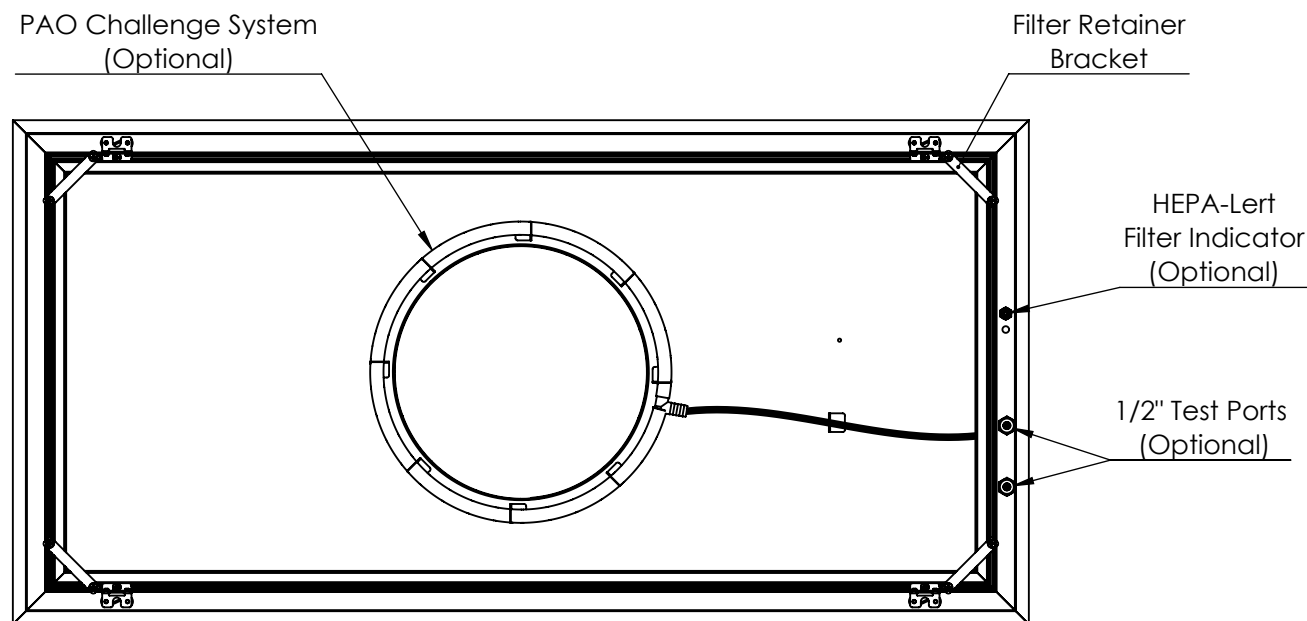
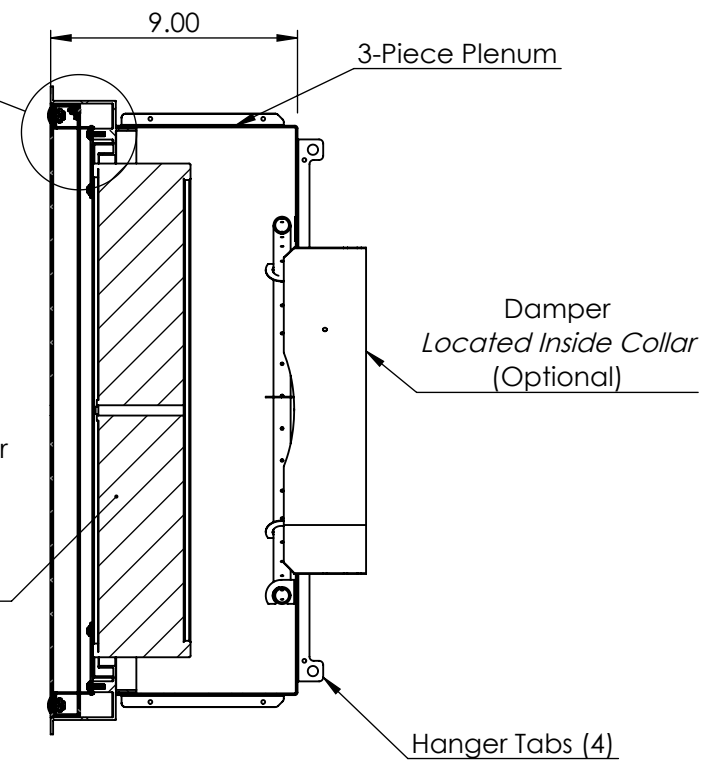
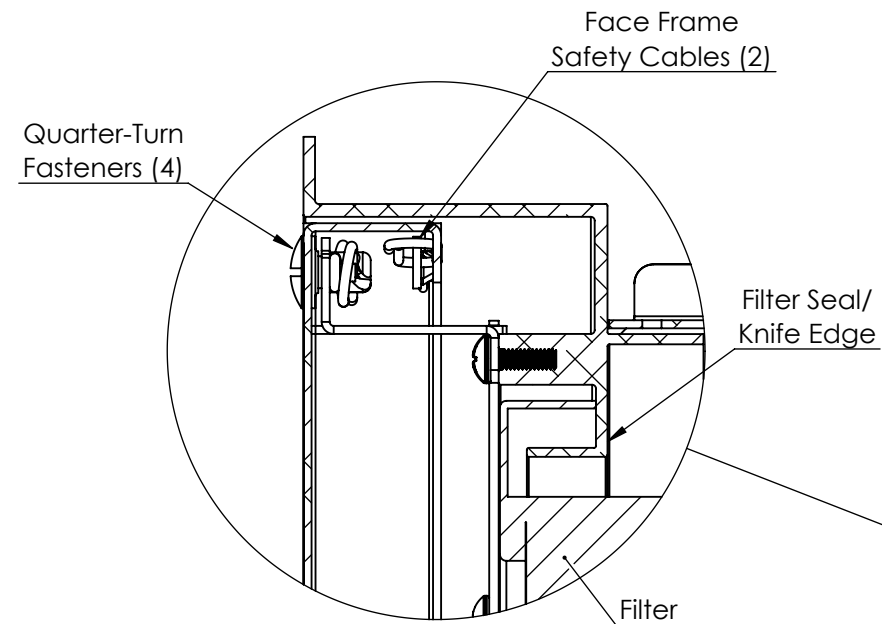
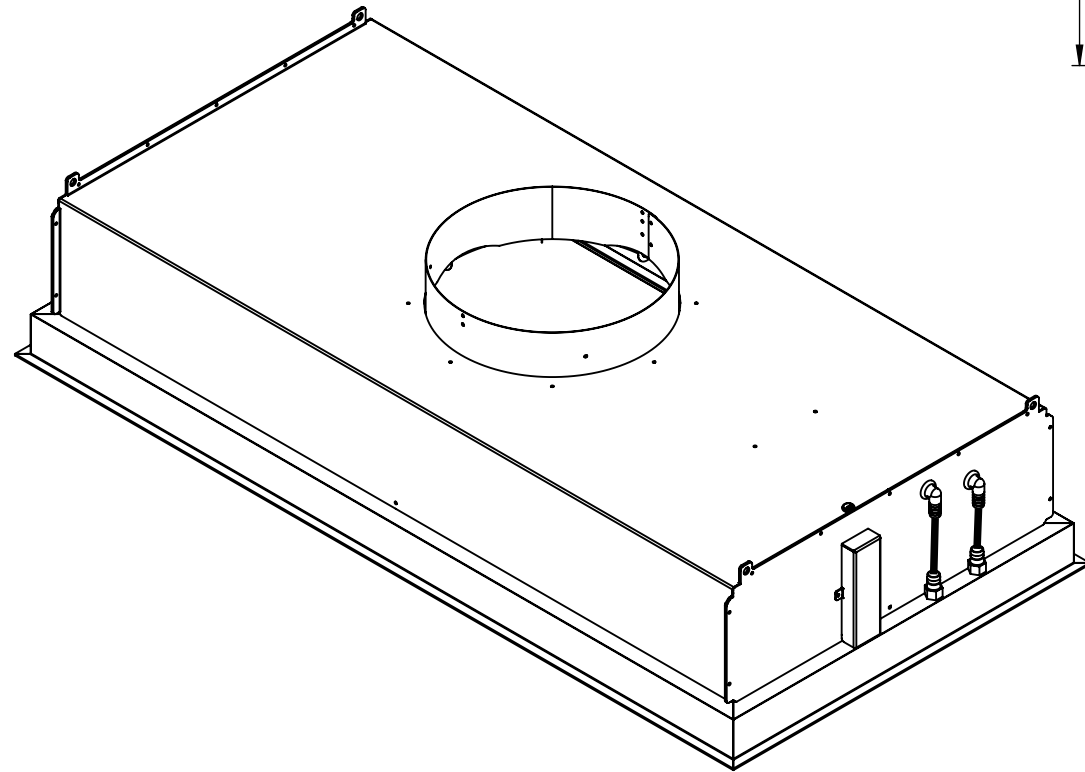
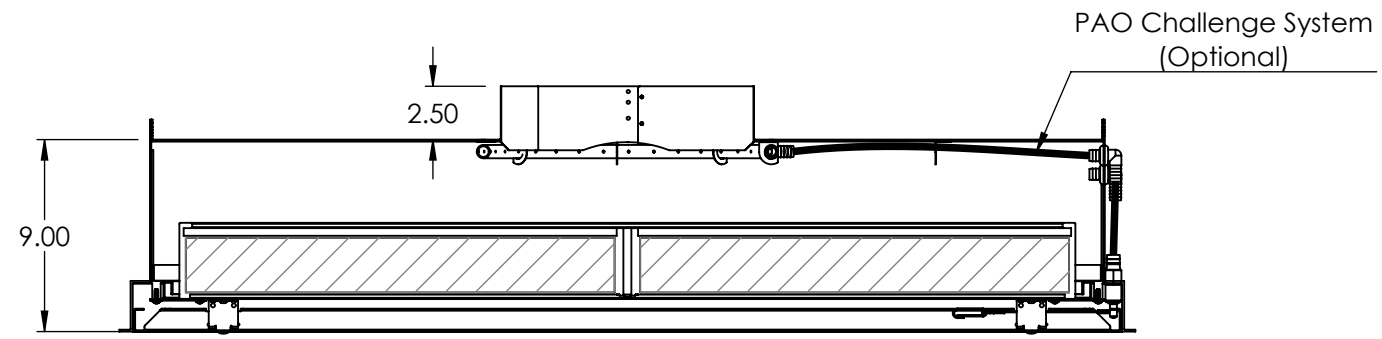


# LFHFD

## LAMINAR FLOW HEPA FILTER DIFFUSER



AJ MANUFACTURING CO. INC.  
8701 ELMWOOD AVE #400, KANSAS CITY, MO 64132  
PH: 816.231.5522 / WWW.AJMFG.COM



FACE FRAME AND HEPA FILTER REMOVED FOR CLARITY