

LF

LAMINAR FLOW DIFFUSER



AJ MANUFACTURING CO. INC.
 8701 ELMWOOD AVE #400, KANSAS CITY, MO 64132
 PH: 816.231.5522 / WWW.AJMFG.COM

STANDARD CONSTRUCTION

- Aluminum
- 3-Piece Plenum
- Lay-In / Surface Mounting
- Walkable Plenum up to 250lbs
- Hanger Tabs for Unit Support Above Ceiling

FEATURE OPTIONS

- Foil Backed Insulation
 - 1.5" (R=4.2)
 - 2.25" (R=6.0)
- Dual Perf (2nd Panel/Layer of Perf)
- Custom Unit Depth: _____

INLET OPTIONS

- Inlet Location
 - Top Inlet
 - Side Inlet
 - End Inlet
- Inlet Shape/Size
 - Round - Size: _____
 - Oval - Size: _____
 - Rectangle - Size: _____
 - Flanged

ORDER SIZE

W= _____ x H= _____

FINISH OPTIONS

- Mill
- White Antimicrobial Powder Coat
- Other: _____

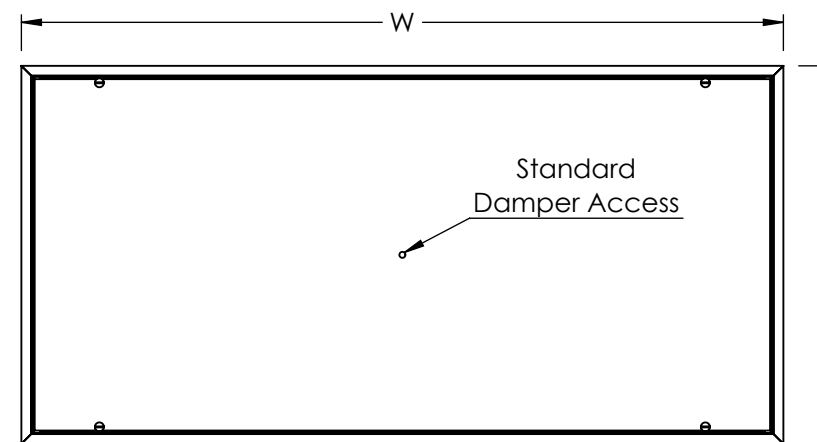
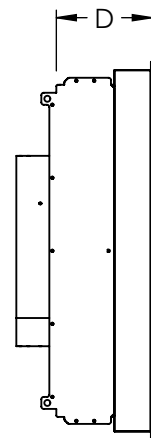
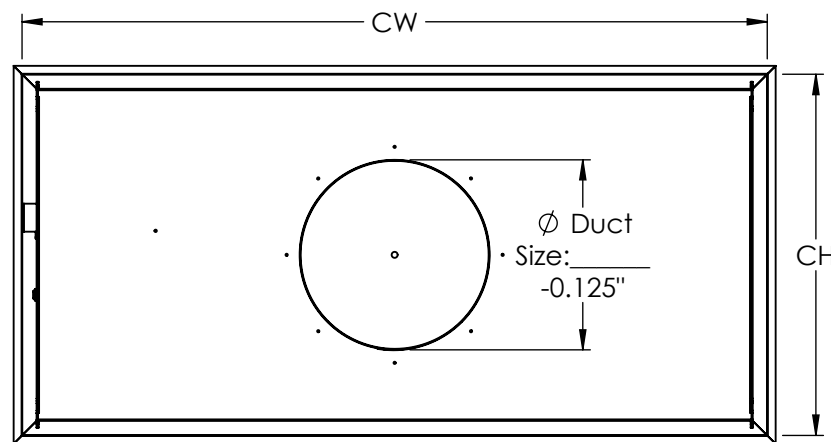
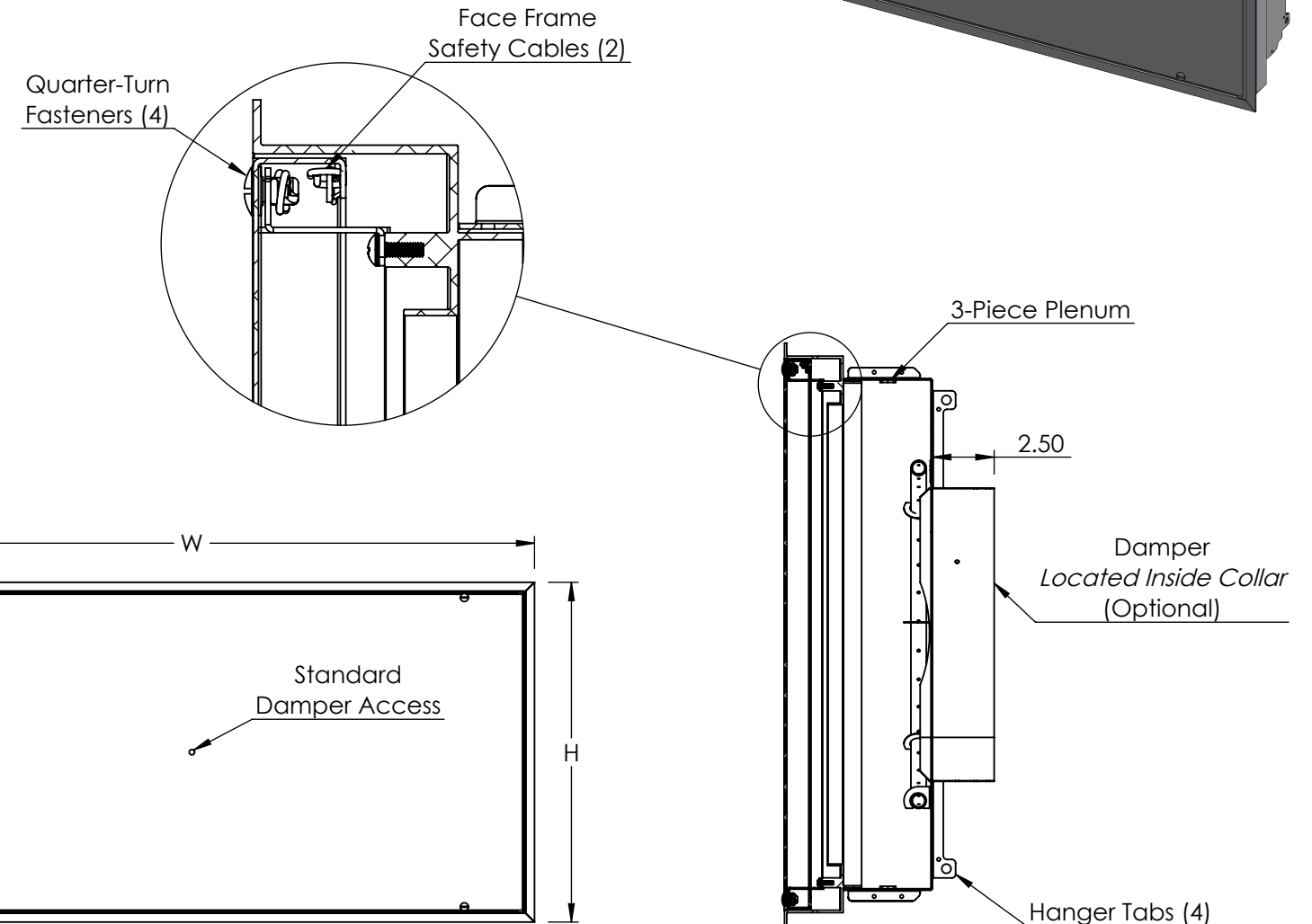
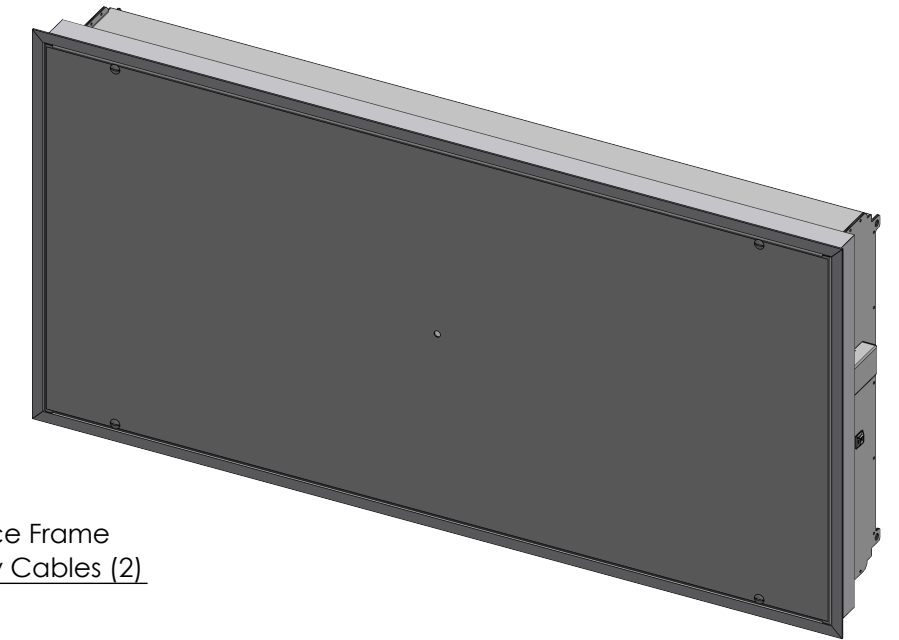
PERF OPTIONS

- 13% - Standard
- 23% - Medium
- 33% - High
- 51% - Max

DAMPER TYPE

- SSRD - Butterfly Damper
- SSBD - Bowtie Damper
- SSDD - Disc Damper
 - Solid Disc
 - Solid Disc w/Perf Ring
 - Perf Disc
- SSSD - Slide Damper

NOMINAL UNIT SIZE	OVERALL WIDTH (W)	OVERALL HEIGHT (H)	DEPTH (D)	CUTOUT WIDTH (CW)	CUTOUT HEIGHT (CH)
24 X 24	23.625	23.625	6.00	22.75	22.75
36 X 24	35.625	23.625	6.00	34.75	22.75
48 X 24	47.625	23.625	6.00	46.75	22.75



SECTION A-A
SCALE 1 : 7