

SPIRAL DUCT

SPIRAL DUCT MOUNTED DIFFUSER

STANDARD CONSTRUCTION

- 304 Stainless Steel

ORDER SIZE (Duct Opening Size)

W: _____ x H: _____

MOUNTING OPTIONS

Duct Diameter: _____

MATERIAL OPTIONS

316 Stainless Steel

FINISH OPTIONS

- Polished
- White Antimicrobial Powder Coat
- Other: _____

DAMPER OPTIONS

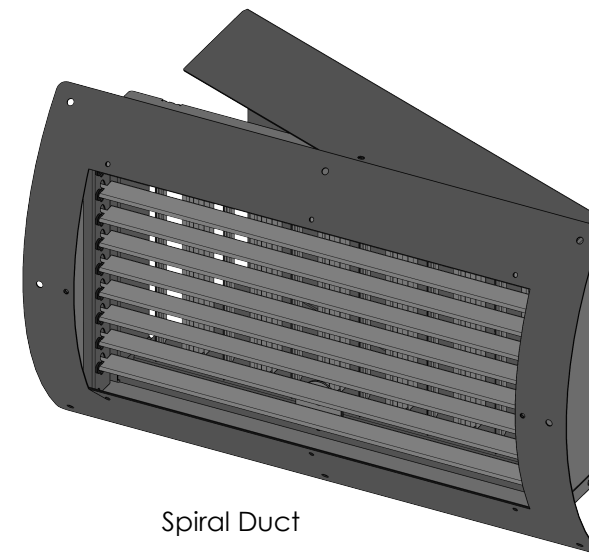
S-44 - Opposed Blade Damper

FEATURE OPTIONS

Air Flow Scoop

UNIT OPTIONS

- 150 Single Deflection Supply Grille** (See Page 2)
 - Blade Direction
 - Horizontal
 - Vertical
 - Blade Spacing
 - 0.75" (Std)
 - Custom
- 250 Double Deflection Supply Grille** (See Page 3)
 - Blade Direction
 - Horizontal
 - Vertical
 - Blade Spacing
 - 0.75" (Std)
 - Custom
- Perforated Supply Grille** (See Page 4)
- High Capacity Drum Louver** (Refer to Page 5 for Sizing)
 - Center Divider (Split Drum Configuration)



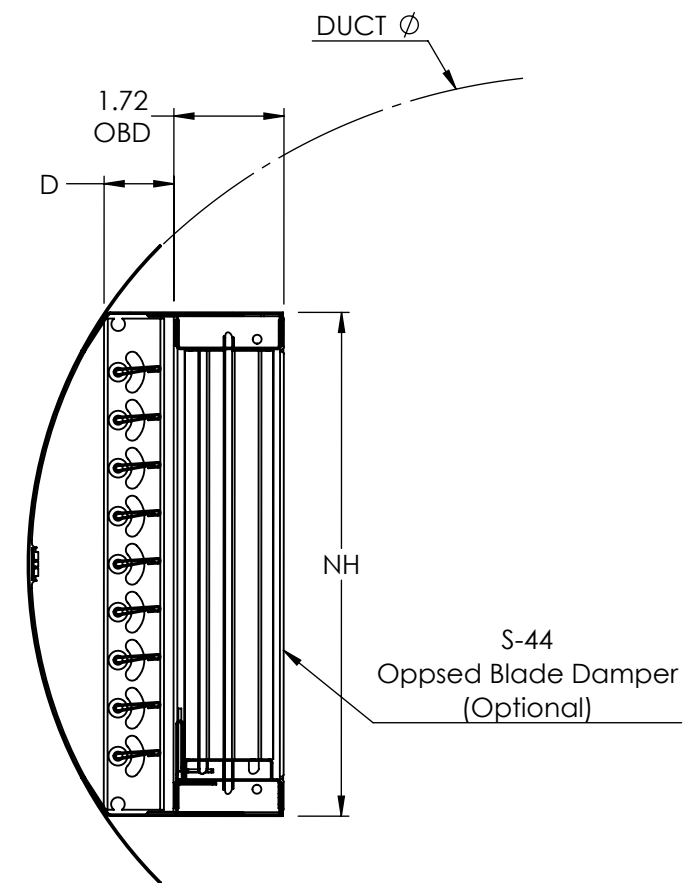
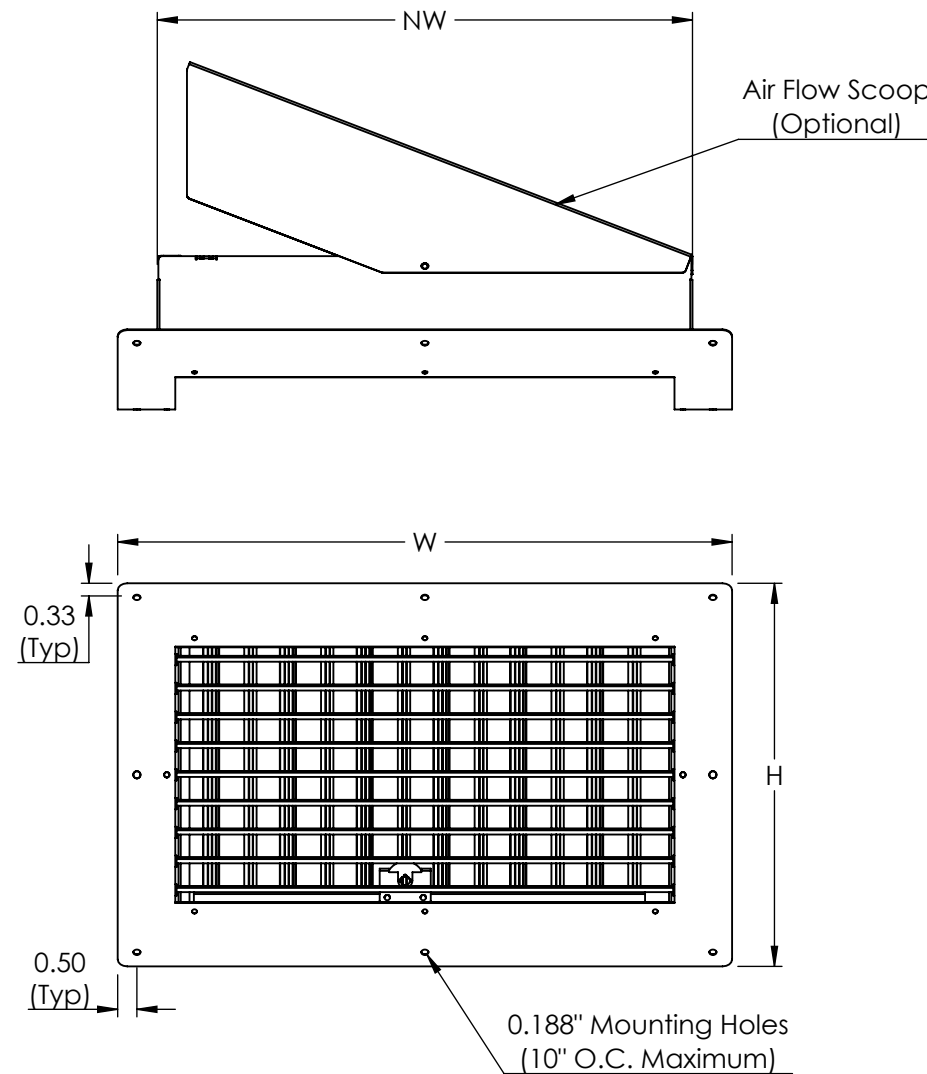
Spiral Duct



AJ MANUFACTURING CO. INC.
8701 ELMWOOD AVE #400, KANSAS CITY, MO 64132
PH: 816.231.5522 / WWW.AJMFG.COM

NOMINAL SIZE	OVERALL WIDTH (W)	OVERALL HEIGHT (H)	NECK WIDTH (NW)	NECK HEIGHT (NH)	DEPTH (D)
12 x 12	14.00	14.00	11.75	11.75	See Detail on Unit Specific Page
24 x 24	26.00	26.00	23.75	23.75	
Other	Nominal + 2.00	Nominal + 2.00	Nominal - 0.25	Nominal - 0.25	

* Duct Diameter must be 2" more than Order Height

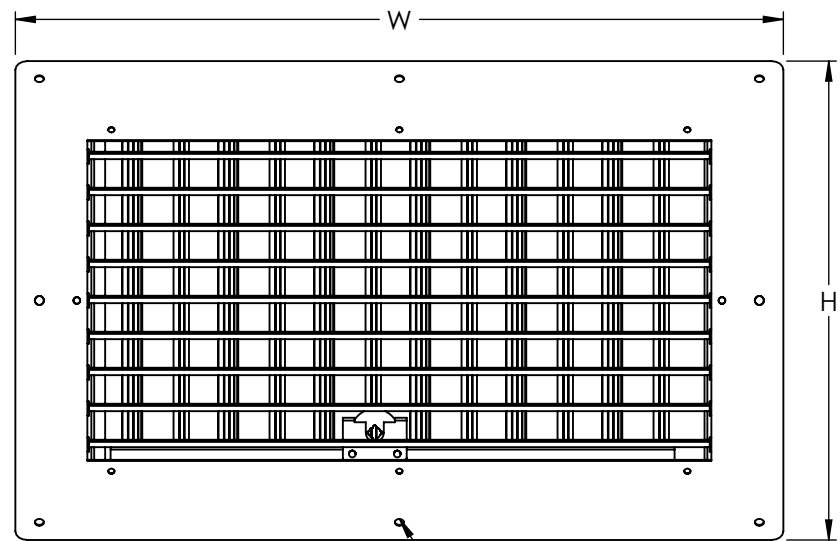
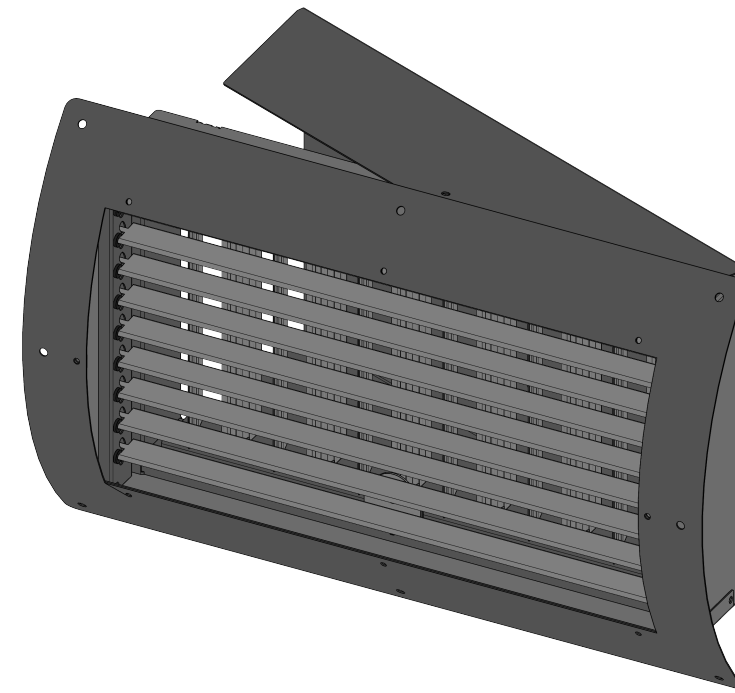
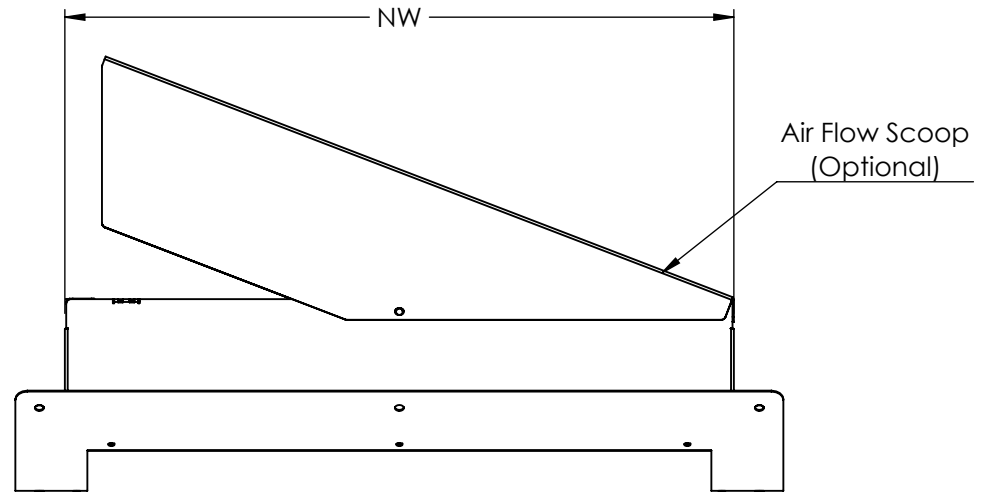


150-SD

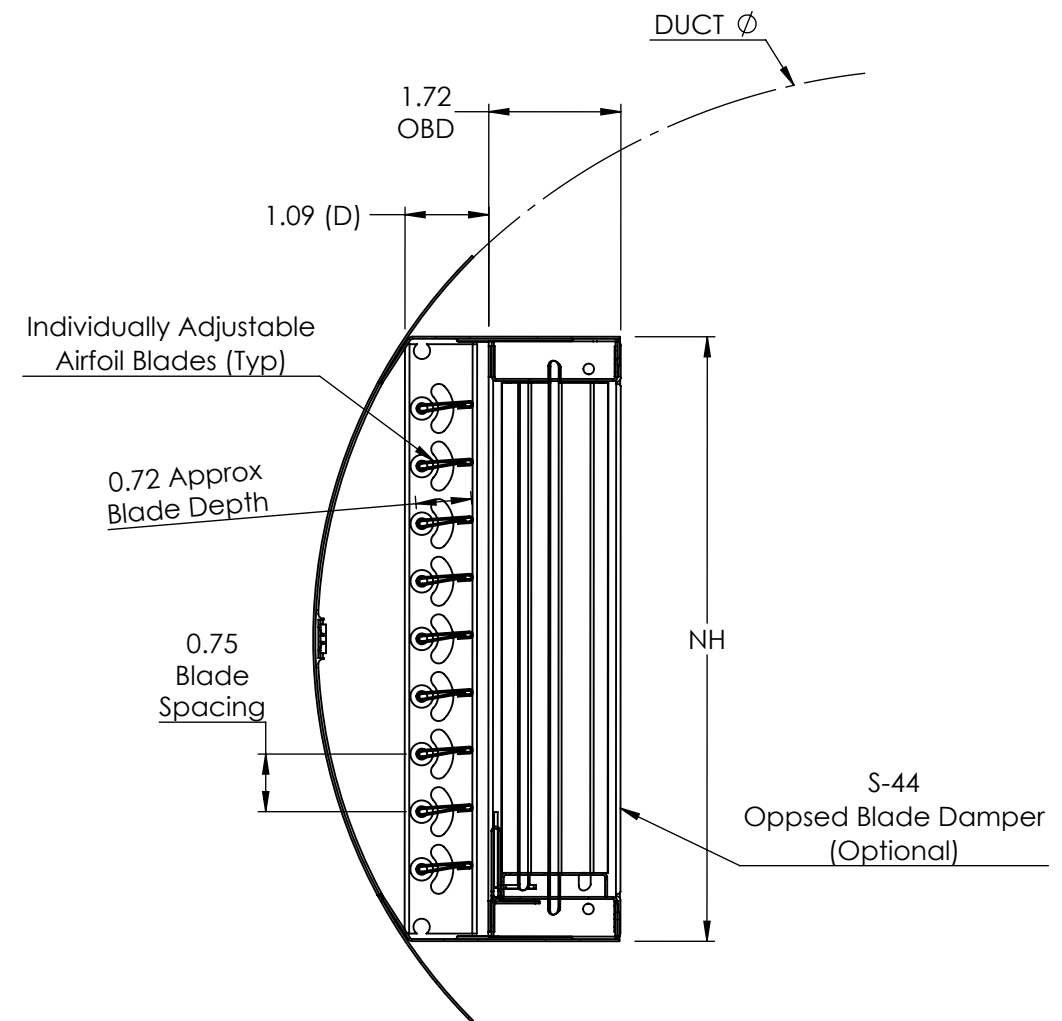
SINGLE DEFLECTION SUPPLY GRILLE SPIRAL DUCT



AJ MANUFACTURING CO. INC.
8701 ELMWOOD AVE #400, KANSAS CITY, MO 64132
PH: 816.231.5522 / WWW.AJMFG.COM



0.188" Mounting Holes
(10" O.C. Maximum)

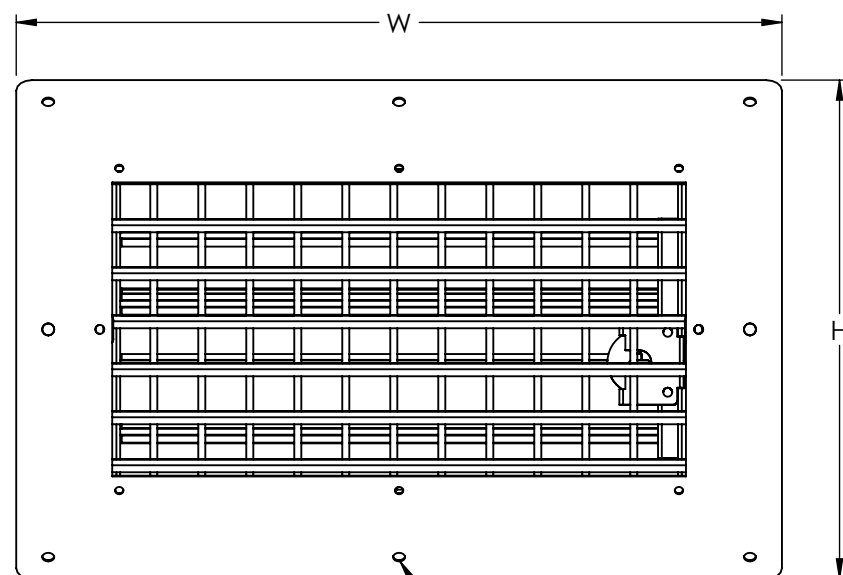
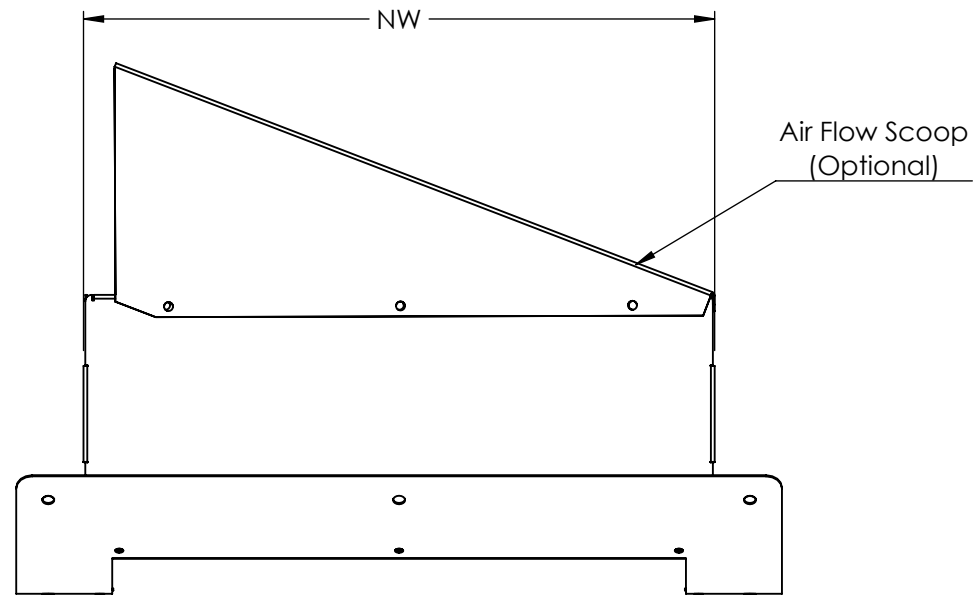
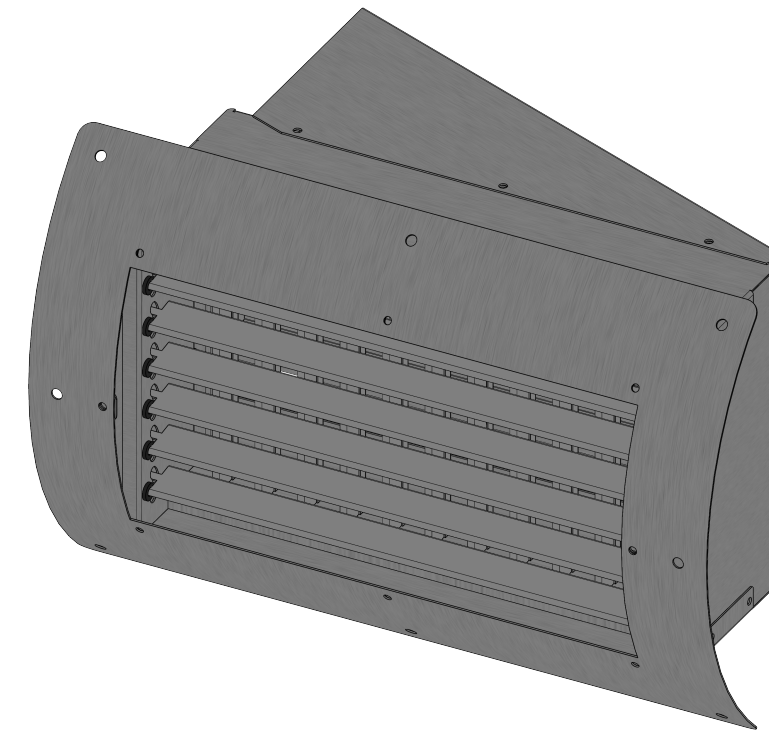


250-SD

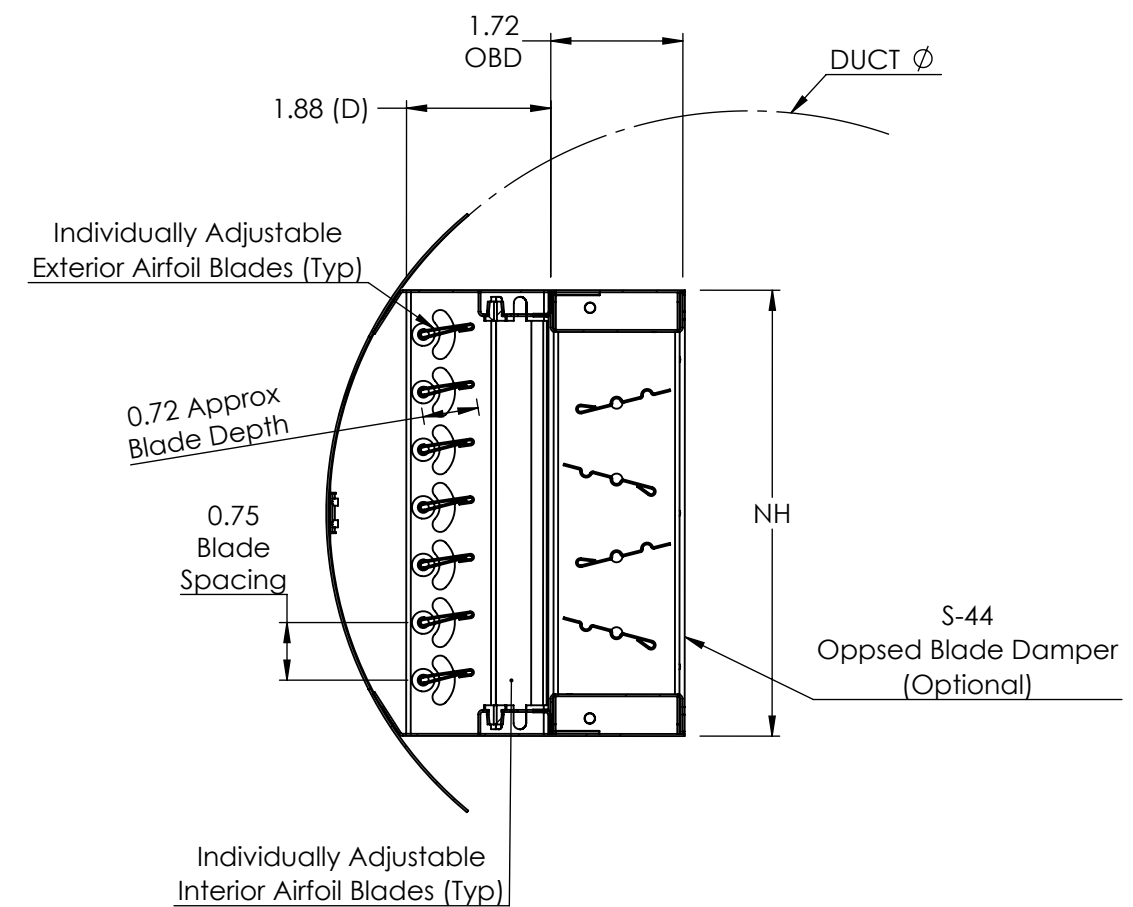
DOUBLE DEFLECTION SUPPLY GRILLE SPIRAL DUCT



AJ MANUFACTURING CO. INC.
8701 ELMWOOD AVE #400, KANSAS CITY, MO 64132
PH: 816.231.5522 / WWW.AJMFG.COM



0.188" Mounting Holes
(10" O.C. Maximum)

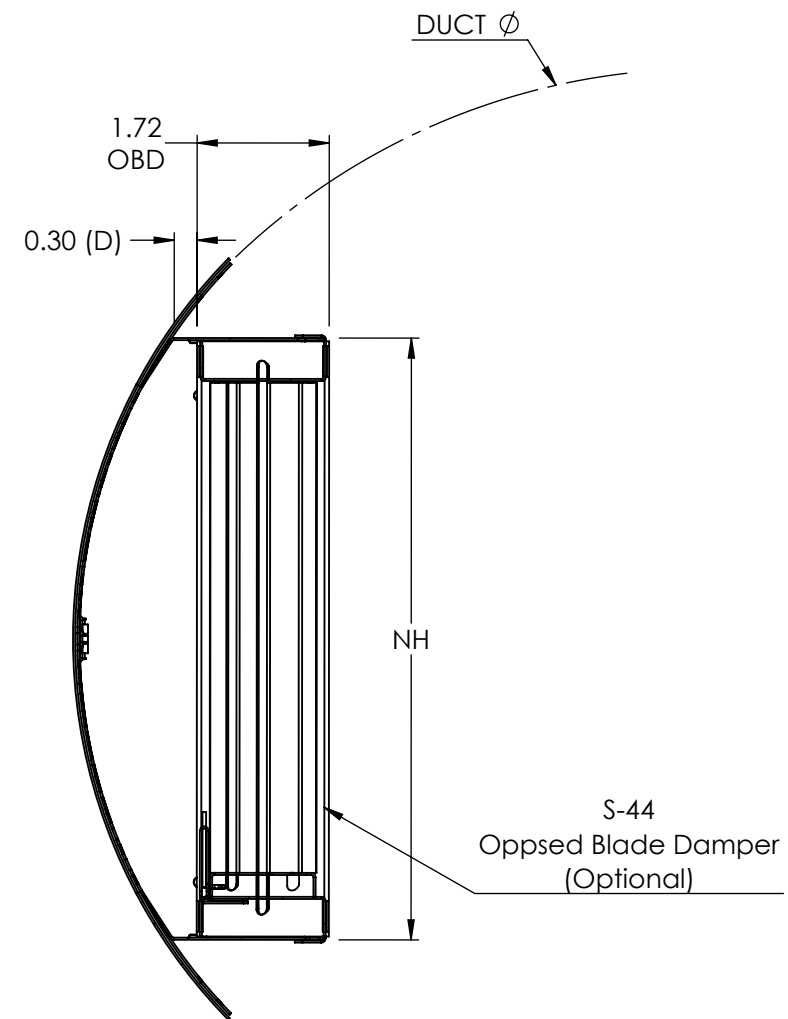
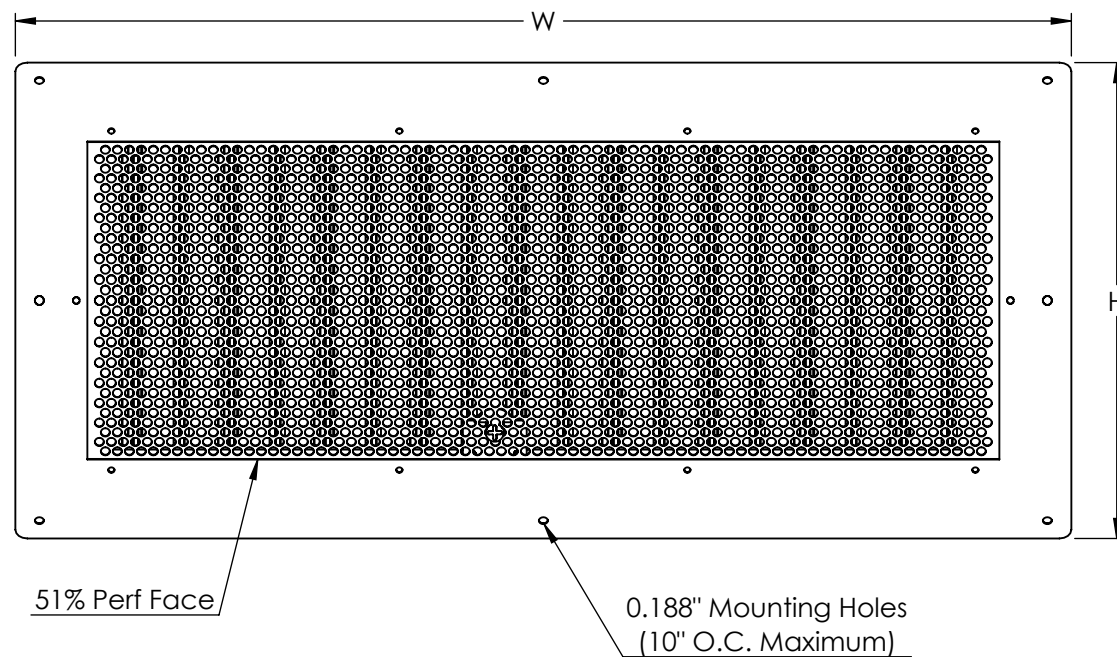
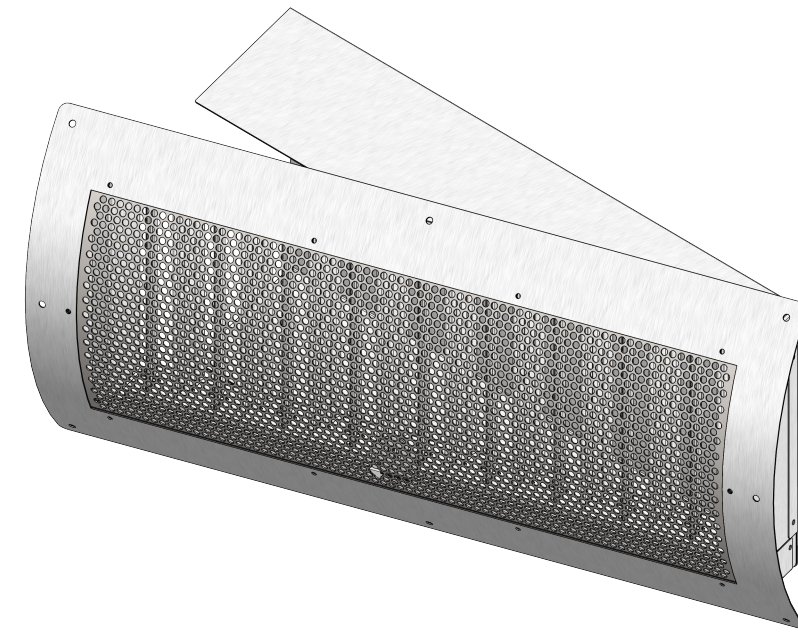
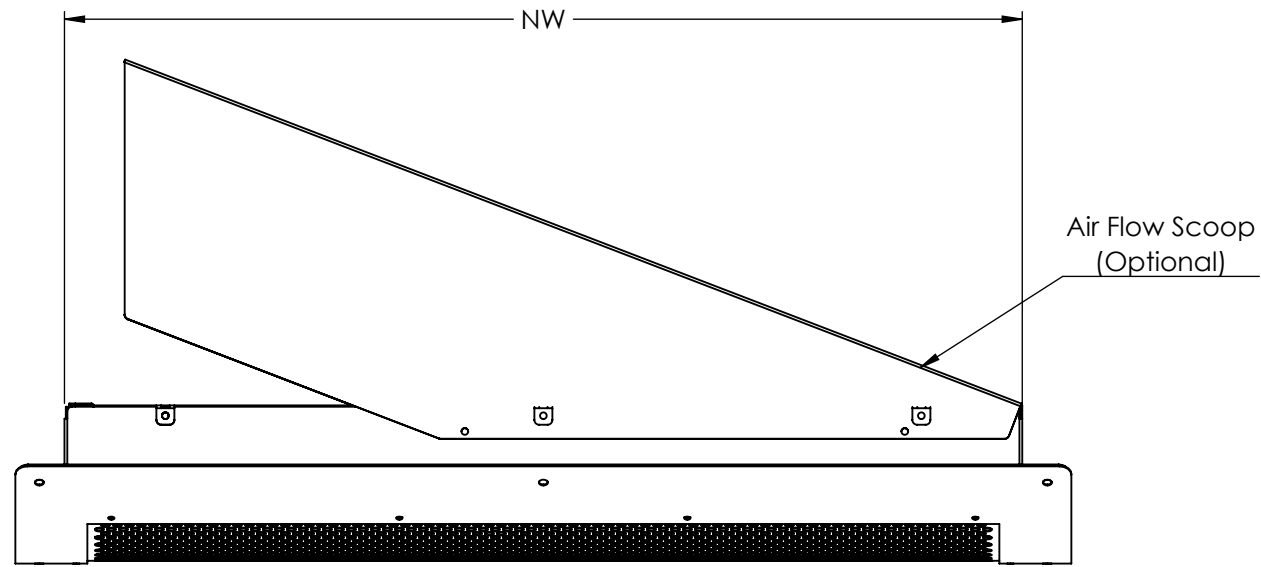


SSPERF-SD

PERFORATED SUPPLY GRILLE
SPIRAL DUCT



AJ MANUFACTURING CO. INC.
8701 ELMWOOD AVE #400, KANSAS CITY, MO 64132
PH: 816.231.5522 / WWW.AJMFG.COM

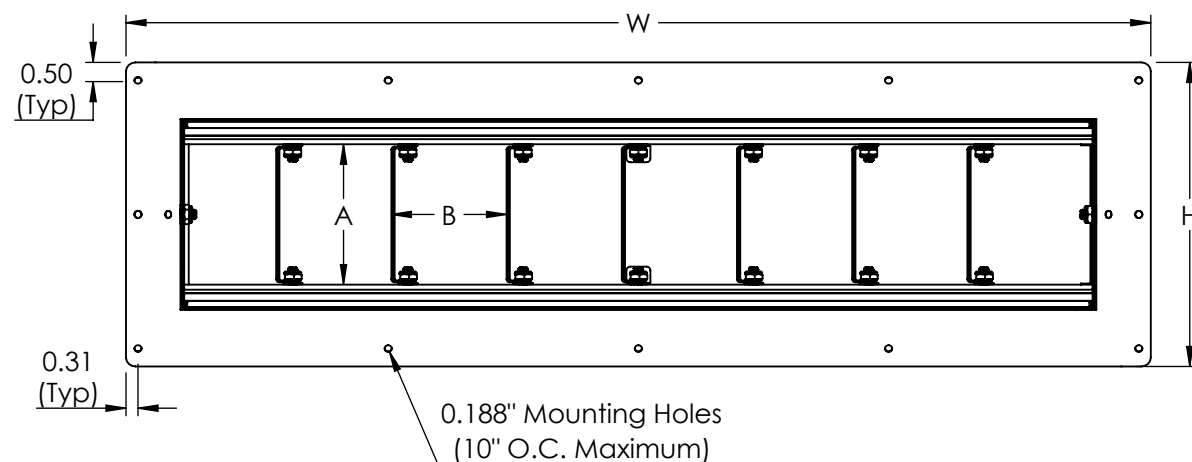
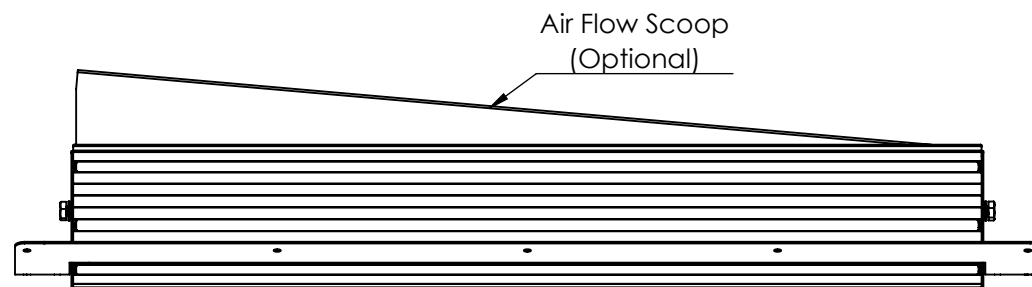
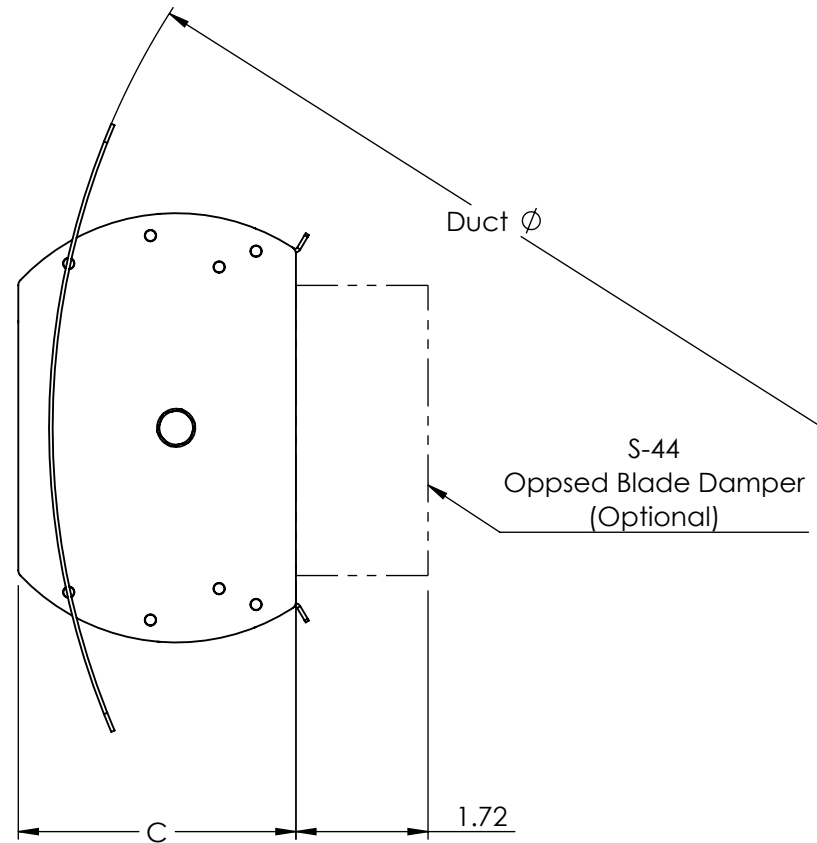
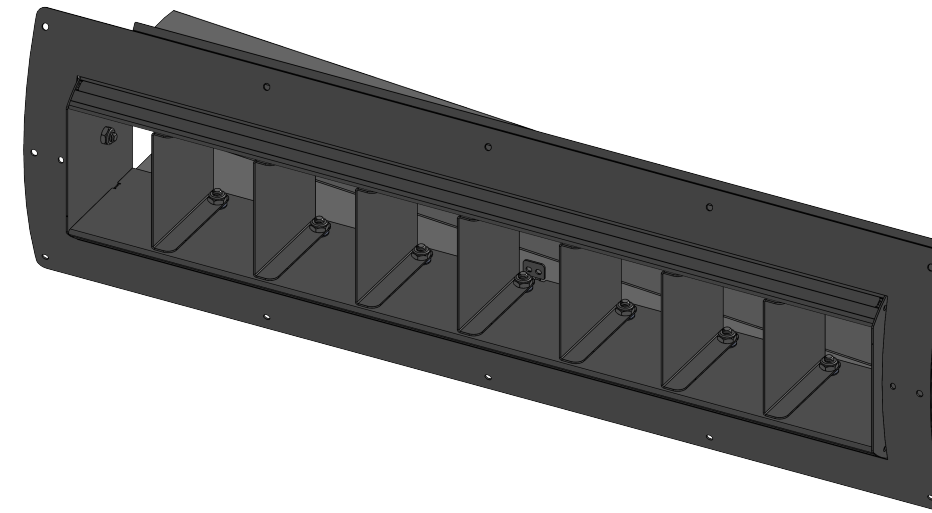


SSHDL-SD

HIGH CAPACITY DRUM LOUVER
SPIRAL DUCT



AJ MANUFACTURING CO. INC.
8701 ELMWOOD AVE #400, KANSAS CITY, MO 64132
PH: 816.231.5522 / WWW.AJMFG.COM



6" Height	Duct Diameter	W	H	A	B	C	Blade Qty.
9" x 6"	8" \leq ϕ	11.563"	Varies per Duct Diameter	3.656"	3"	3.615"	2
12" x 6"		14.563"					3
18" x 6"		20.563"					5
24" x 6"		26.563"					7
30" x 6"		32.563"					9
36" x 6"		38.563"					11
48" x 6"		50.563"					15
60" x 6"		62.563"					19

10" Height	Duct Diameter	W	H	A	B	C	Blade Qty.
20" x 10"	12" \leq ϕ	22.563"	Varies per Duct Diameter	5.656"	5"	6.018"	3
25" x 10"		27.563"					4
30" x 10"		32.563"					5
35" x 10"		37.563"					6
40" x 10"		42.563"					7
50" x 10"		52.563"					9
60" x 10"		62.563"					11
70" x 10"		72.563"					13

12" Height	Duct Diameter	W	H	A	B	C	Blade Qty.
20" x 12"	14" \leq ϕ	22.563"	Varies per Duct Diameter	6.656"	5"	6.136"	3
30" x 12"		32.563"					5
40" x 12"		42.563"					7
50" x 12"		52.563"					9
60" x 12"		62.563"					11
70" x 12"		72.563"					13

15" Height	Duct Diameter	W	H	A	B	C	Blade Qty.
20" x 15"	17" \leq ϕ	22.563"	Varies per Duct Diameter	9.656"	5"	3.34"	3
25" x 15"		27.563"					4
30" x 15"		32.563"					5
35" x 15"		37.563"					6
40" x 15"		42.563"					7
50" x 15"		52.563"					9
60" x 15"		62.563"					11
70" x 15"		72.563"					13