

SSHDL

HIGH CAPACITY DRUM LOUVER

STANDARD CONSTRUCTION

- 304 Stainless Steel

ORDER SIZE (Duct Opening Size)

W: _____ x H: _____

MOUNTING OPTIONS

- Surface Mount
- Spiral Duct (Curved Face for Round Duct - See Page 2)
 - Duct Diameter: _____
 - Air Flow Scoop

MATERIAL OPTIONS

- 316 Stainless Steel

FINISH OPTIONS

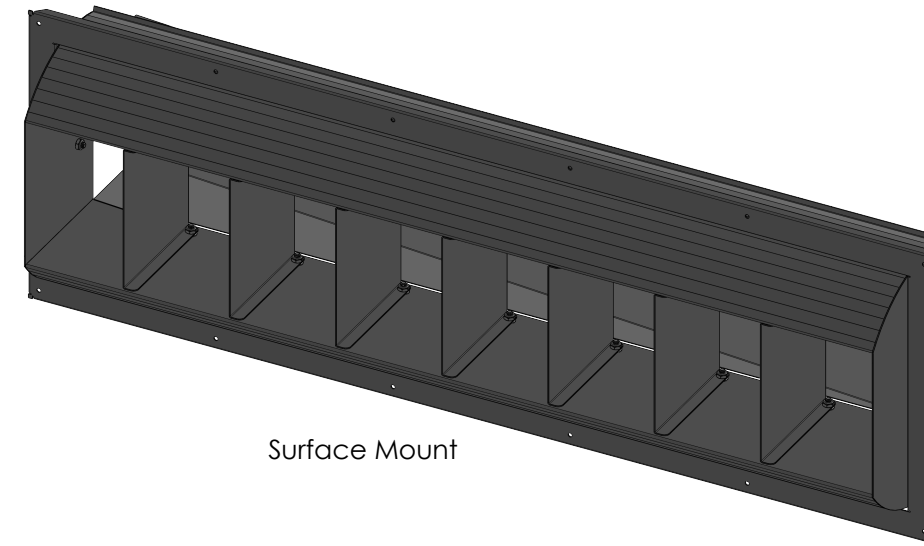
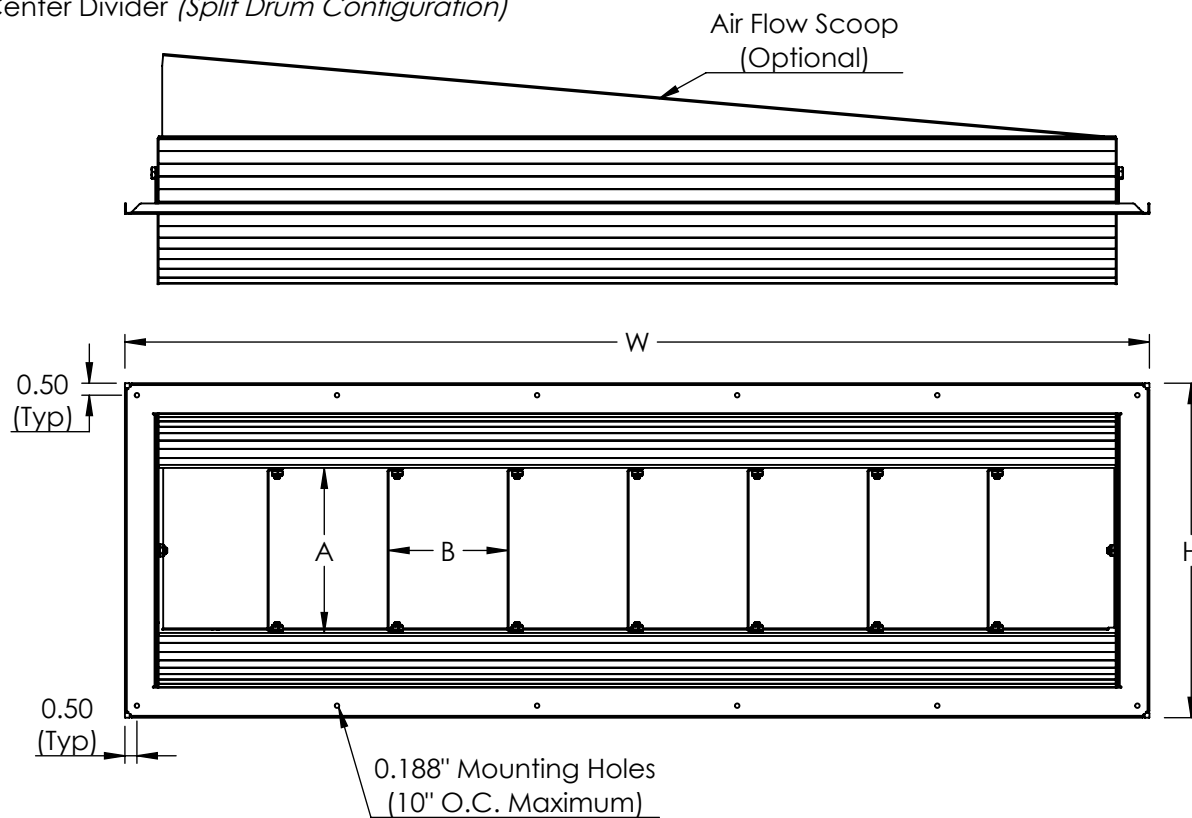
- Polished
- White Antimicrobial Powder Coat
- Other: _____

DAMPER OPTIONS

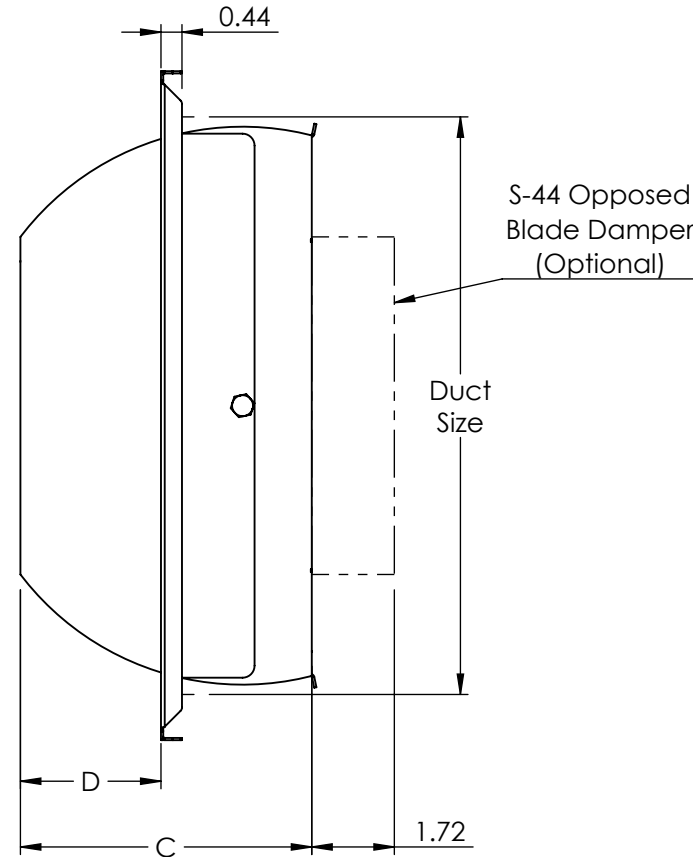
- S-44 - Opposed Blade Damper

FEATURE OPTIONS

- Center Divider (Split Drum Configuration)



AJ MANUFACTURING CO. INC.
 8701 ELMWOOD AVE #400, KANSAS CITY, MO 64132
 PH: 816.231.5522 / WWW.AJMFG.COM



6" Height	Duct Size	W	H	A	B	C	D	Blade Qty.
9" x 6"	9.688" x 6.438"	11.563"	7.938"	3.656"	3"	3.615"	1.008"	2
12" x 6"	12.688" x 6.438"	14.563"						3
18" x 6"	18.688" x 6.438"	20.563"						5
24" x 6"	24.688" x 6.438"	26.563"						7
30" x 6"	30.688" x 6.438"	32.563"						9
36" x 6"	36.688" x 6.438"	38.563"						11
48" x 6"	48.688" x 6.438"	50.563"						15
60" x 6"	60.688" x 6.438"	62.563"	19					

10" Height	Duct Size	W	H	A	B	C	D	Blade Qty.
20" x 10"	20.688" x 10.188"	22.563"	11.938"	5.656"	5"	6.018"	2.274"	3
25" x 10"	25.688" x 10.188"	27.563"						4
30" x 10"	30.688" x 10.188"	32.563"						5
35" x 10"	35.688" x 10.188"	37.563"						6
40" x 10"	40.688" x 10.188"	42.563"						7
50" x 10"	50.688" x 10.188"	52.563"						9
60" x 10"	60.688" x 10.188"	62.563"						11
70" x 10"	70.688" x 10.188"	72.563"						13

12" Height	Duct Size	W	H	A	B	C	D	Blade Qty.
20" x 12"	20.688" x 12.188"	22.563"	13.938"	6.656"	5"	6.136"	2.874"	3
30" x 12"	30.688" x 12.188"	32.563"						5
40" x 12"	40.688" x 12.188"	42.563"						7
50" x 12"	50.688" x 12.188"	52.563"						9
60" x 12"	60.688" x 12.188"	62.563"						11
70" x 12"	70.688" x 12.188"	72.563"						13

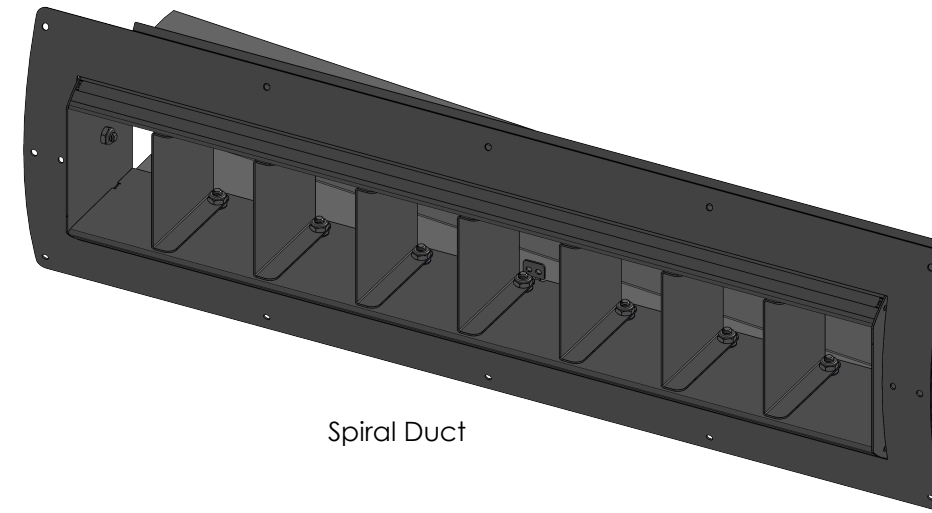
15" Height	Duct Size	W	H	A	B	C	D	Blade Qty.
20" x 15"	20.688" x 15.188"	22.563"	16.983"	9.656"	5"	8.136"	3.34"	3
25" x 15"	25.688" x 15.188"	27.563"						4
30" x 15"	30.688" x 15.188"	32.563"						5
35" x 15"	35.688" x 15.188"	37.563"						6
40" x 15"	40.688" x 15.188"	42.563"						7
50" x 15"	50.688" x 15.188"	52.563"						9
60" x 15"	60.688" x 15.188"	62.563"						11
70" x 15"	70.688" x 15.188"	72.563"						13

SSHDL-SD

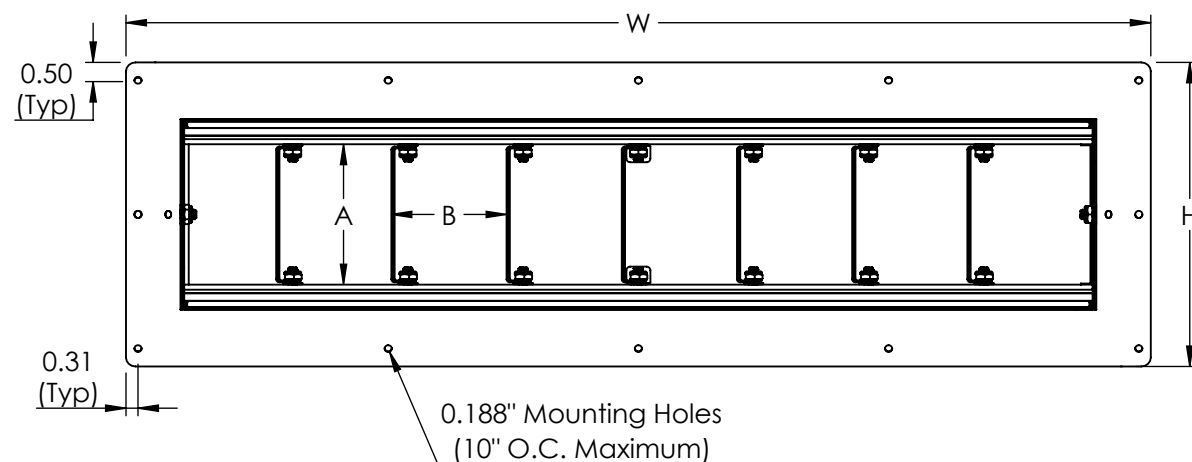
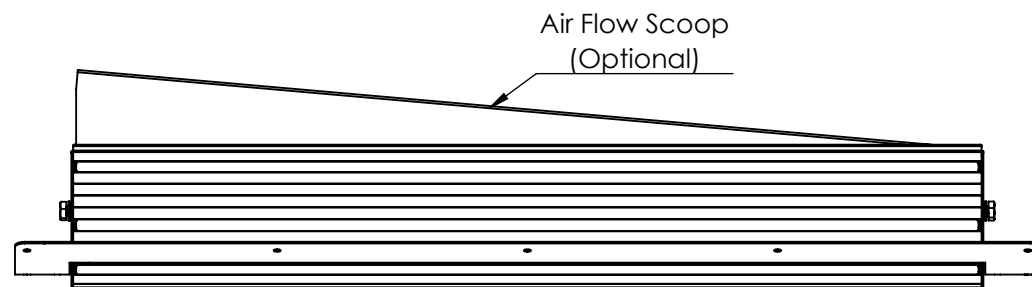
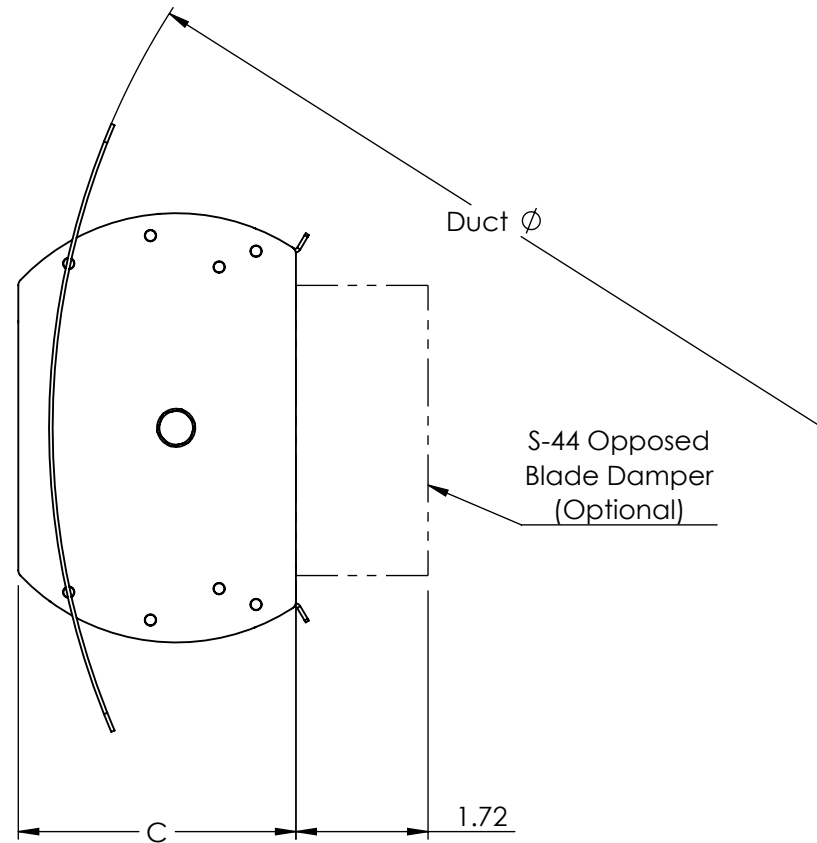
HIGH CAPACITY DRUM LOUVER SPIRAL DUCT



AJ MANUFACTURING CO. INC.
8701 ELMWOOD AVE #400, KANSAS CITY, MO 64132
PH: 816.231.5522 / WWW.AJMFG.COM



Spiral Duct



6" Height	Duct Diameter	W	H	A	B	C	Blade Qty.
9" x 6"	8" \leq ϕ	11.563"	Varies per Duct Diameter	3.656"	3"	3.615"	2
12" x 6"		14.563"					3
18" x 6"		20.563"					5
24" x 6"		26.563"					7
30" x 6"		32.563"					9
36" x 6"		38.563"					11
48" x 6"		50.563"					15
60" x 6"		62.563"					19

10" Height	Duct Diameter	W	H	A	B	C	Blade Qty.
20" x 10"	12" \leq ϕ	22.563"	Varies per Duct Diameter	5.656"	5"	6.018"	3
25" x 10"		27.563"					4
30" x 10"		32.563"					5
35" x 10"		37.563"					6
40" x 10"		42.563"					7
50" x 10"		52.563"					9
60" x 10"		62.563"					11
70" x 10"		72.563"					13

12" Height	Duct Diameter	W	H	A	B	C	Blade Qty.
20" x 12"	14" \leq ϕ	22.563"	Varies per Duct Diameter	6.656"	5"	6.136"	3
30" x 12"		32.563"					5
40" x 12"		42.563"					7
50" x 12"		52.563"					9
60" x 12"		62.563"					11
70" x 12"		72.563"					13

15" Height	Duct Diameter	W	H	A	B	C	Blade Qty.
20" x 15"	17" \leq ϕ	22.563"	Varies per Duct Diameter	9.656"	5"	3.34"	3
25" x 15"		27.563"					4
30" x 15"		32.563"					5
35" x 15"		37.563"					6
40" x 15"		42.563"					7
50" x 15"		52.563"					9
60" x 15"		62.563"					11
70" x 15"		72.563"					13