

SSCLCD

CONCENTRIC LOUVERED CEILING DIFFUSER

STANDARD CONSTRUCTION

- 304 Stainless Steel

DAMPER OPTIONS

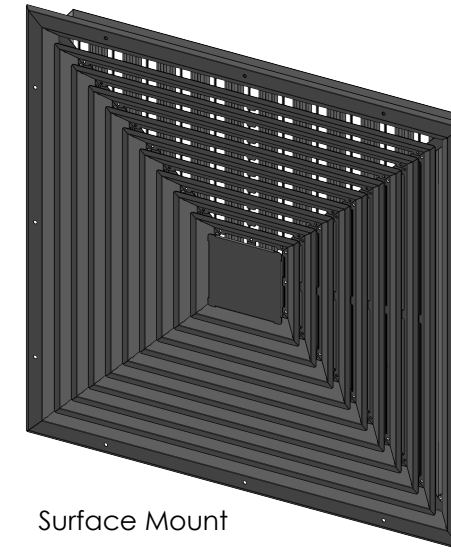
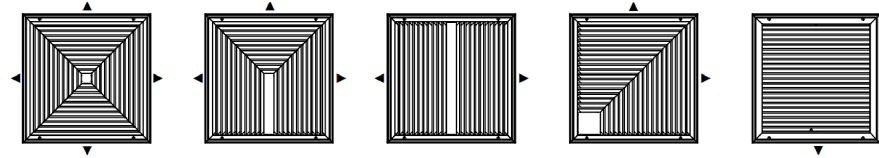
S-44 - Opposed Blade Damper

AIRFLOW OPTIONS

Mixing Vanes
 Adjustable Throw

AIRFLOW PATTERNS

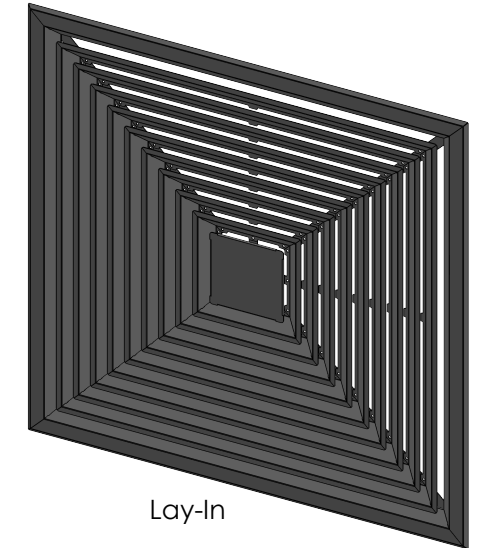
4-Way 3-Way 2-Way Opposite 2-Way Corner 1-Way Order SSG



Surface Mount



AJ MANUFACTURING CO. INC.
 8701 ELMWOOD AVE #400, KANSAS CITY, MO 64132
 PH: 816.231.5522 / WWW.AJMFG.COM



Lay-In

ORDER SIZE (Duct Opening Size)

W: _____ x H: _____

MOUNTING OPTIONS

Surface Mount
 Lay-In

FEATURE OPTIONS

No Countersunk Screw Holes
(Surface Mount Only)

INLET/OUTLET OPTIONS

Round - Size: _____
 Square - Size: _____
 Flanged
 Rectangle - Size: _____
 Flanged

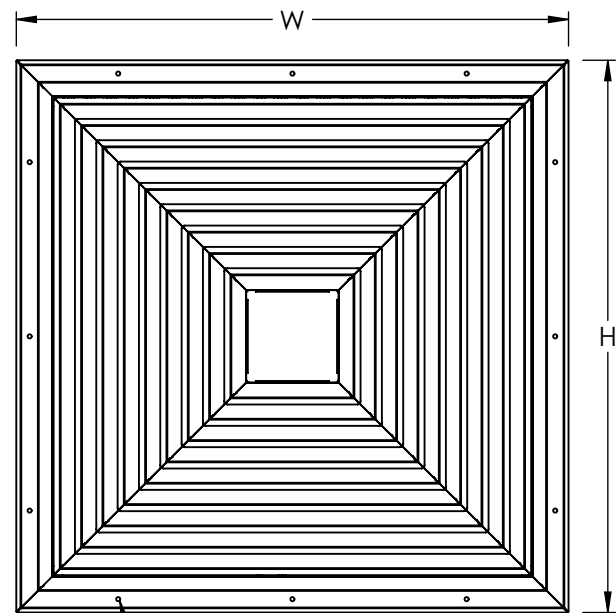
MATERIAL OPTIONS

316 Stainless Steel

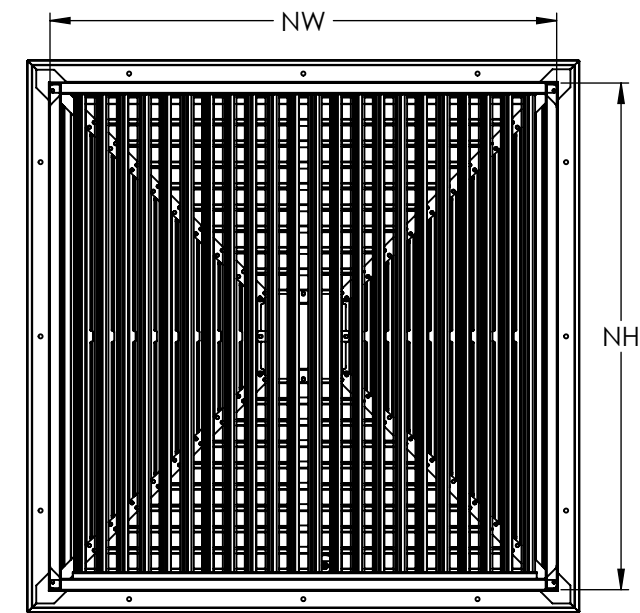
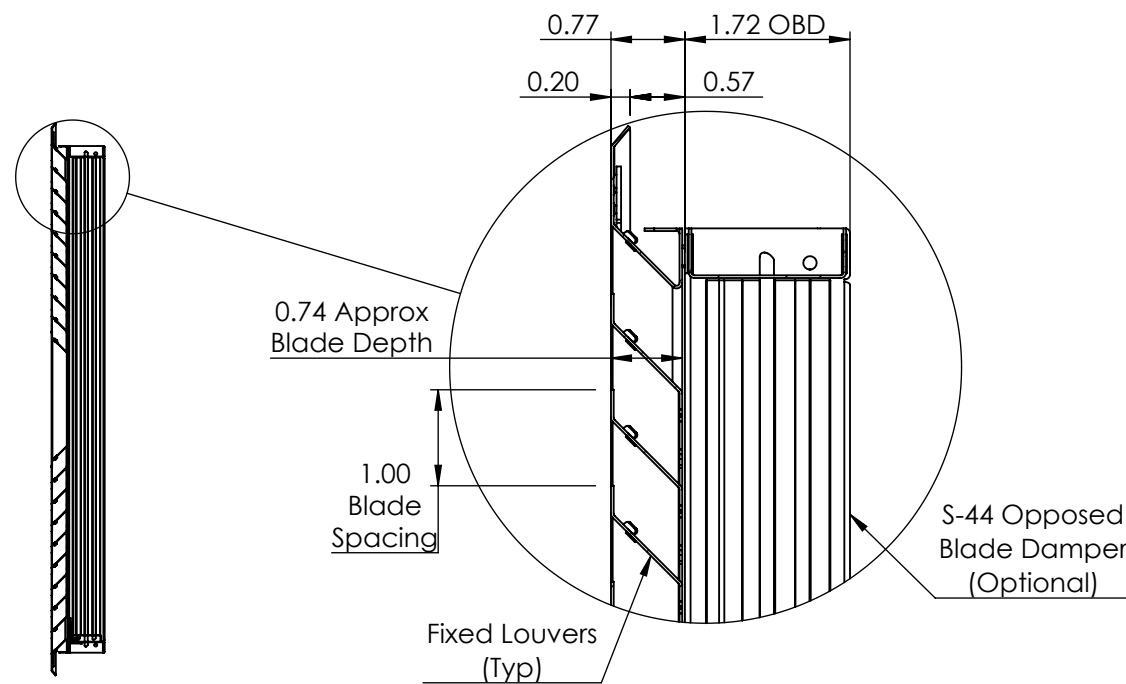
FINISH OPTIONS

Polished
 White Antimicrobial Powder Coat
 Other: _____

MOUNTING STYLE	NOMINAL SIZE	OVERALL WIDTH (W)	OVERALL HEIGHT (H)	NECK WIDTH (NW)	NECK HEIGHT (NH)
Surface Mount	12 x 12	13.89	13.89	11.75	11.75
	24 x 24	25.89	25.89	23.75	23.75
	Other	Nominal + 1.89	Nominal + 1.89	Nominal - 0.25	Nominal - 0.25
Lay-In	12 x 12	11.81	11.81	10.00	10.00
	24 x 24	23.81	23.81	22.00	22.00
	Other	Nominal - 0.19	Nominal - 0.19	Nominal - 2.00	Nominal - 2.00



Countersunk Screw Holes (Typ)

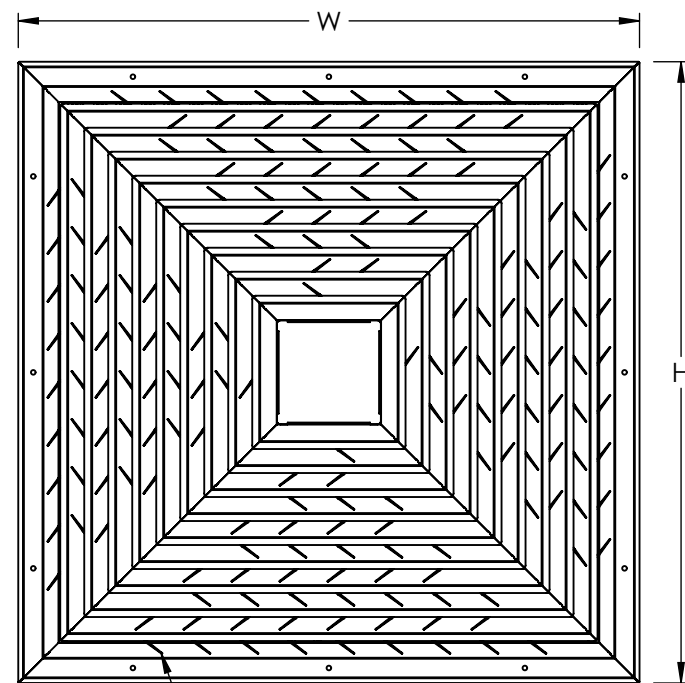
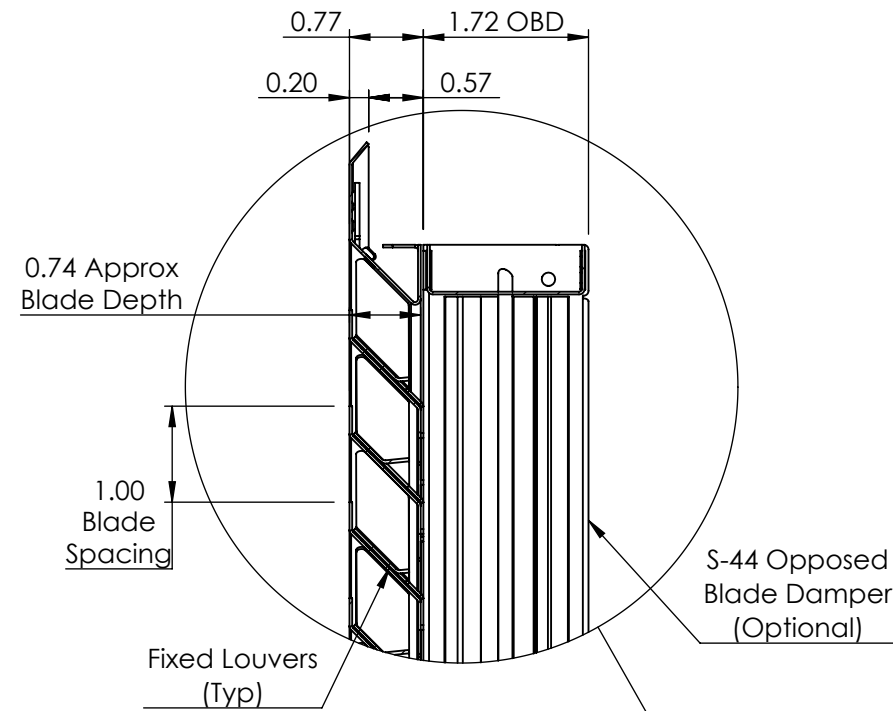
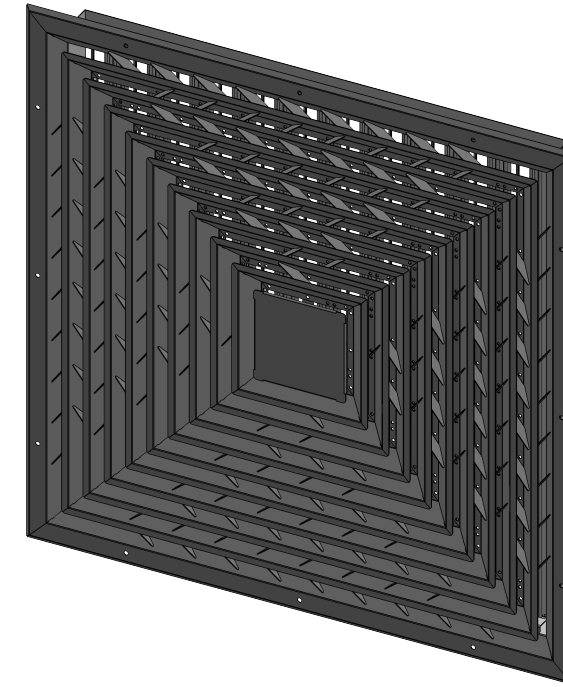


SSCLCD

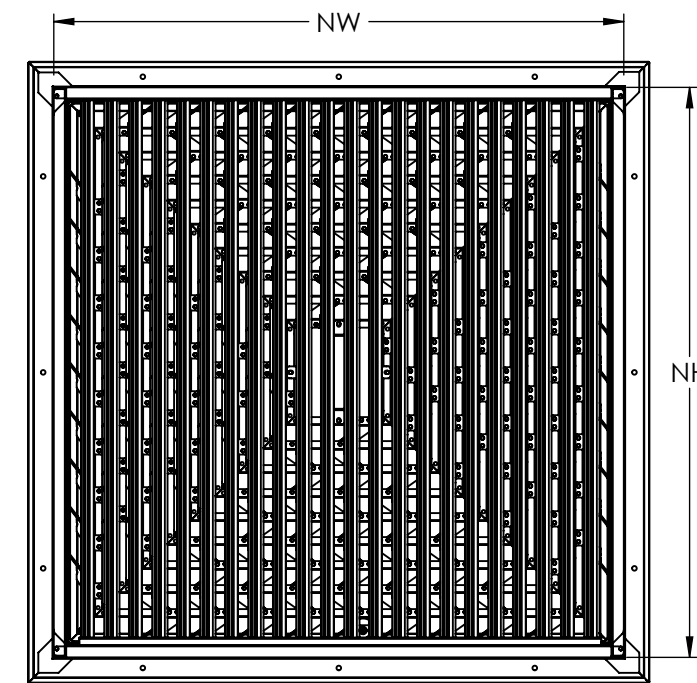
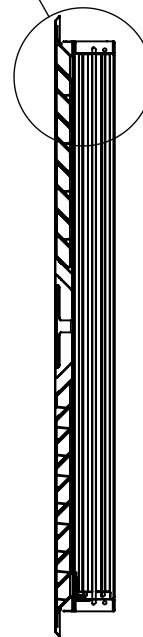
CONCENTRIC LOUVERED CEILING DIFFUSER MIXING VANES



AJ MANUFACTURING CO. INC.
8701 ELMWOOD AVE #400, KANSAS CITY, MO 64132
PH: 816.231.5522 / WWW.AJMFG.COM



Mixing Vanes (Typ)

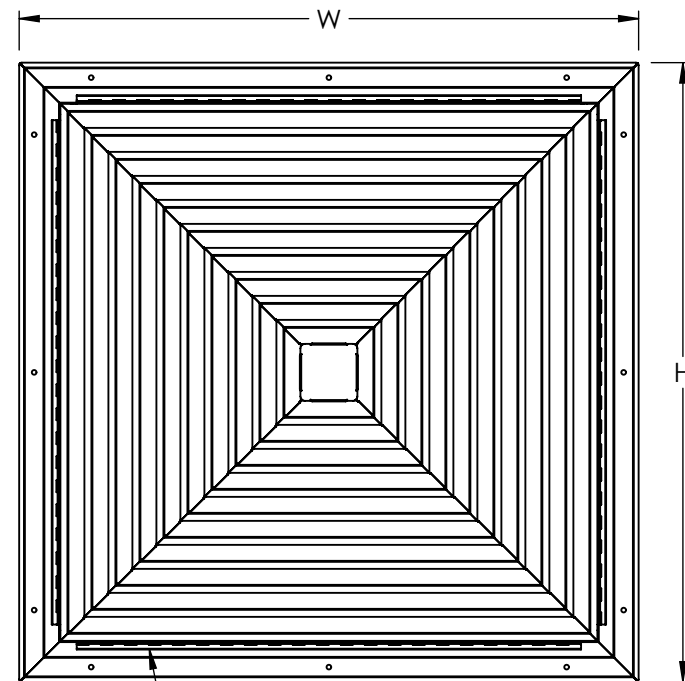
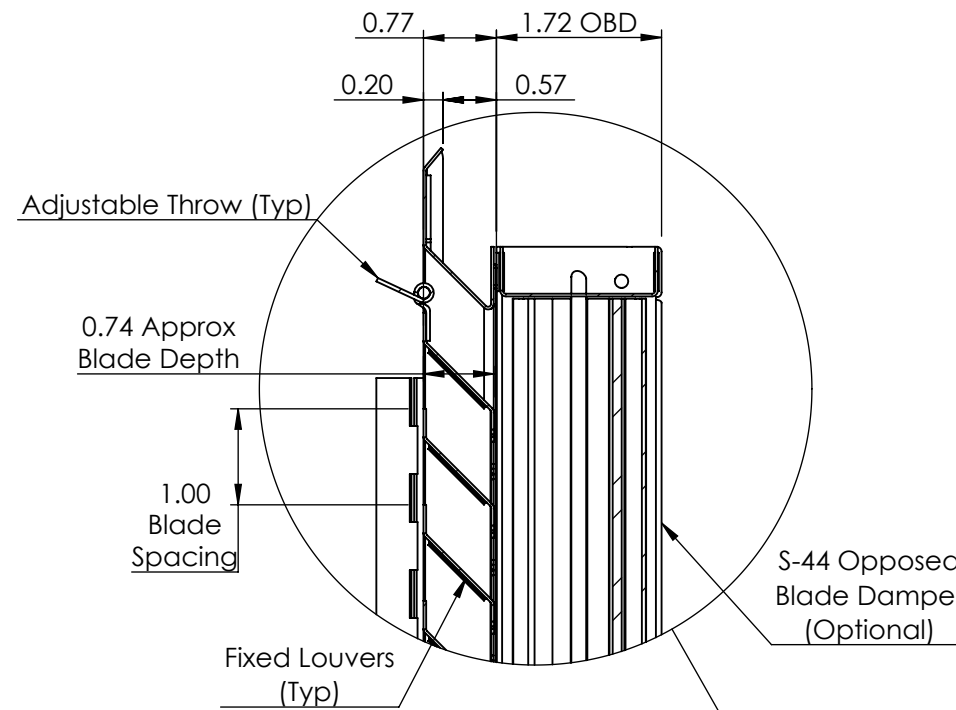
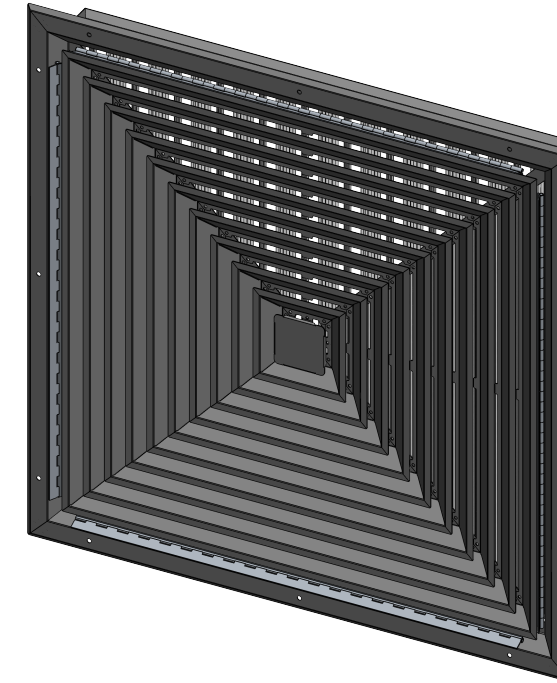


SSCLCD

CONCENTRIC LOUVERED CEILING DIFFUSER ADJUSTABLE THROW



AJ MANUFACTURING CO. INC.
8701 ELMWOOD AVE #400, KANSAS CITY, MO 64132
PH: 816.231.5522 / WWW.AJMFG.COM



Adjustable Throw (Typ)

