



# LOUVERED RETURN GRILLE

## STANDARD CONSTRUCTION

- 304 Stainless Steel
- Horizontal Blade Direction

## ORDER SIZE (Duct Opening Size)

W: \_\_\_\_\_ x H: \_\_\_\_\_

## MOUNTING OPTIONS

- Surface Mount
- Lay-In

## FEATURE OPTIONS

- No Countersunk Screw Holes (Surface Mount Only)
- Lay-In Panel
- Auxiliary Frame
  - Door Thickness
    - 1.75" (Std)
    - Custom: \_\_\_\_\_ (1.5" Min ; 2.25" Max)

## INLET/OUTLET OPTIONS

- Round - Size: \_\_\_\_\_
- Square - Size: \_\_\_\_\_
  - Flanged
- Rectangle - Size: \_\_\_\_\_
  - Flanged

## MATERIAL OPTIONS

- 316 Stainless Steel

## FINISH OPTIONS

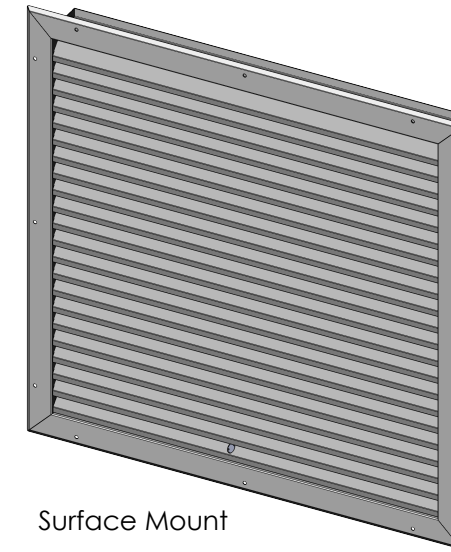
- Polished
- White Antimicrobial Powder Coat
- Other: \_\_\_\_\_

## DAMPER OPTIONS

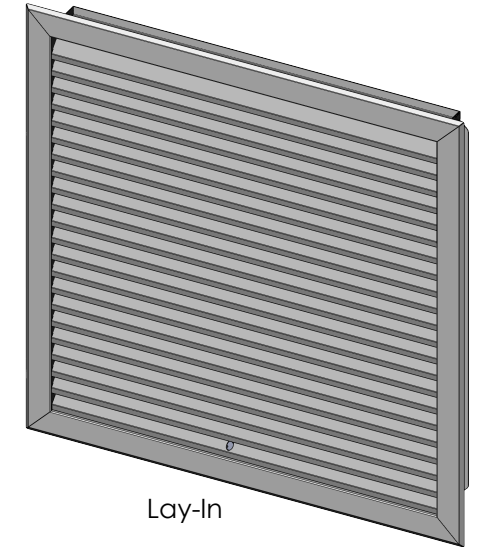
- S-44 - Opposed Blade Damper



AJ MANUFACTURING CO. INC.  
 8701 ELMWOOD AVE #400, KANSAS CITY, MO 64132  
 PH: 816.231.5522 / WWW.AJMFG.COM

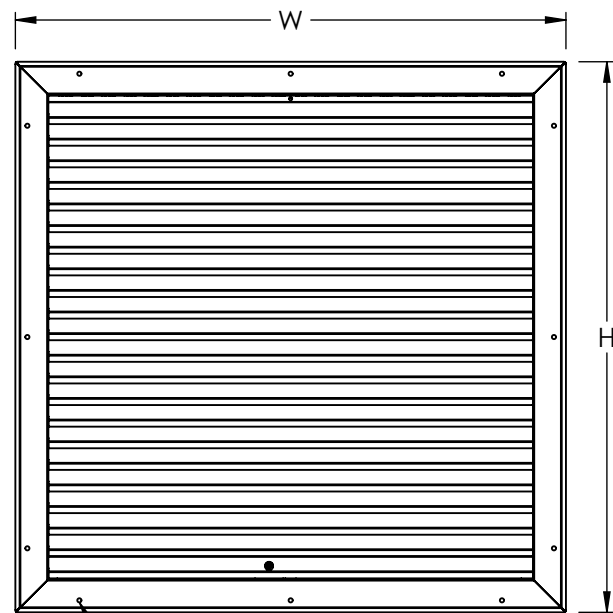


Surface Mount

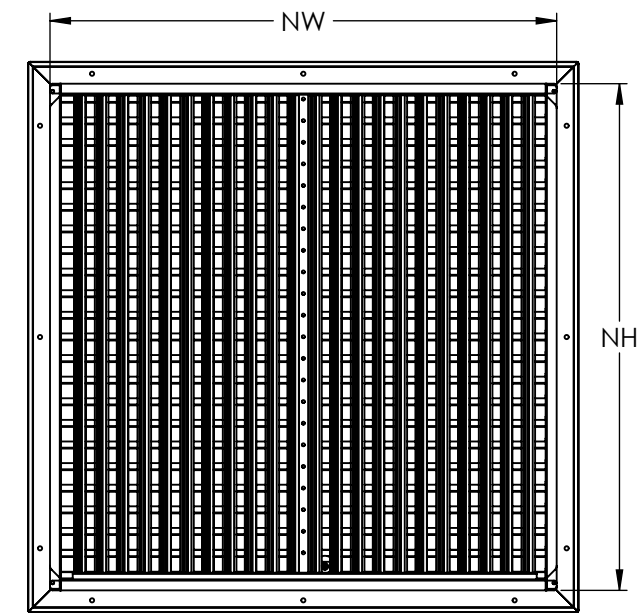
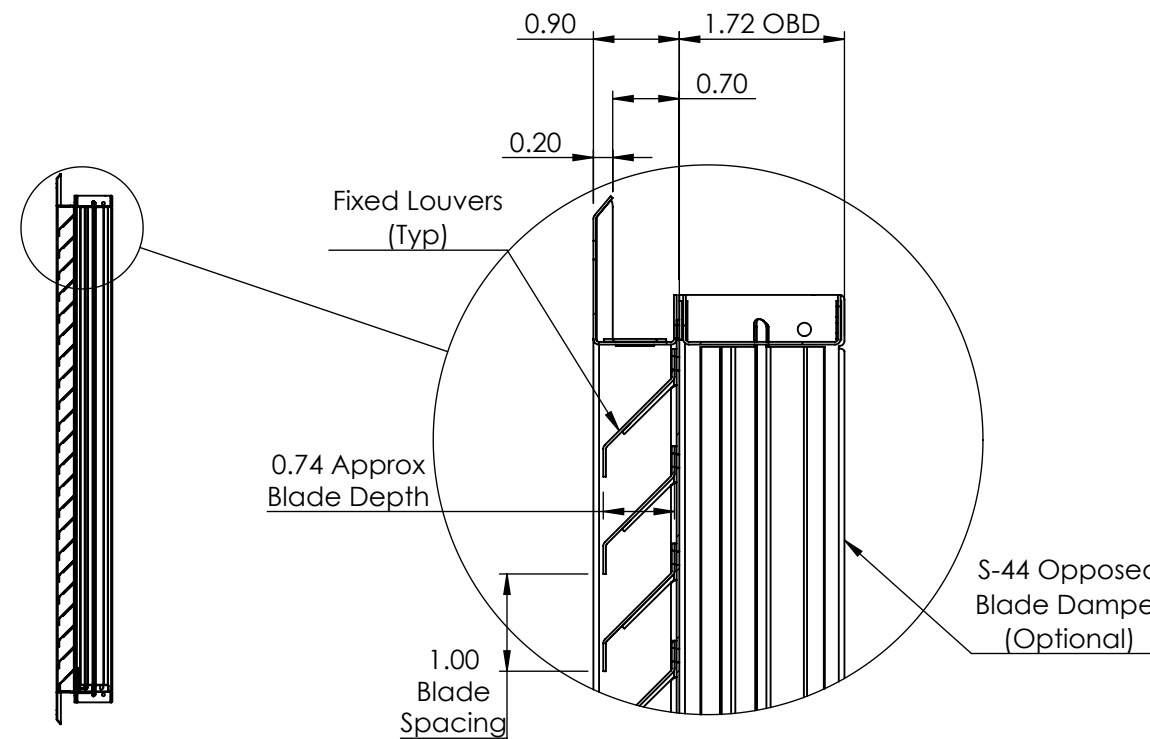


Lay-In

MOUNTING STYLE	NOMINAL SIZE	OVERALL WIDTH (W)	OVERALL HEIGHT (H)	NECK WIDTH (NW)	NECK HEIGHT (NH)
Surface Mount	12 x 12	13.81	13.81	11.75	11.75
	24 x 24	25.81	25.81	23.75	23.75
	Other	Nominal + 1.81	Nominal + 1.81	Nominal - 0.25	Nominal - 0.25
Lay-In	12 x 12	11.81	11.81	10.00	10.00
	24 x 24	23.81	23.81	22.00	22.00
	Other	Nominal - 0.19	Nominal - 0.19	Nominal - 2.00	Nominal - 2.00



Countersunk Screw Holes (Typ)

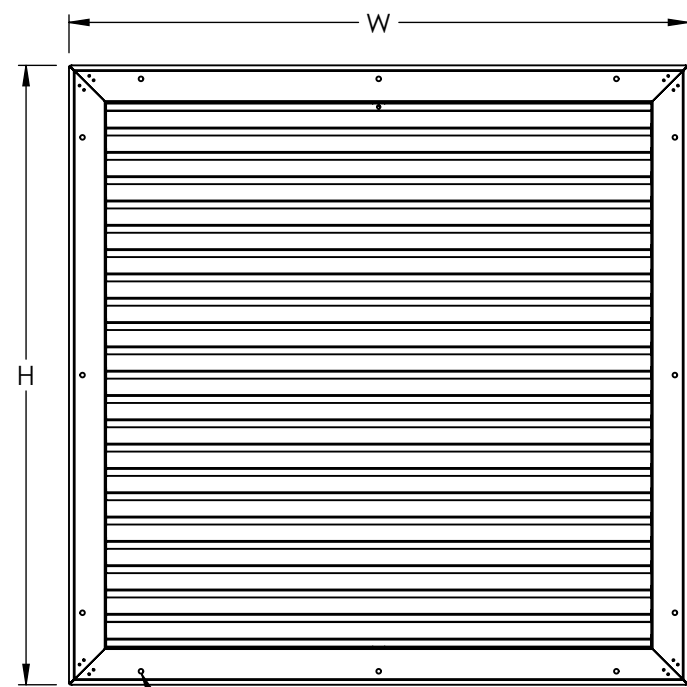
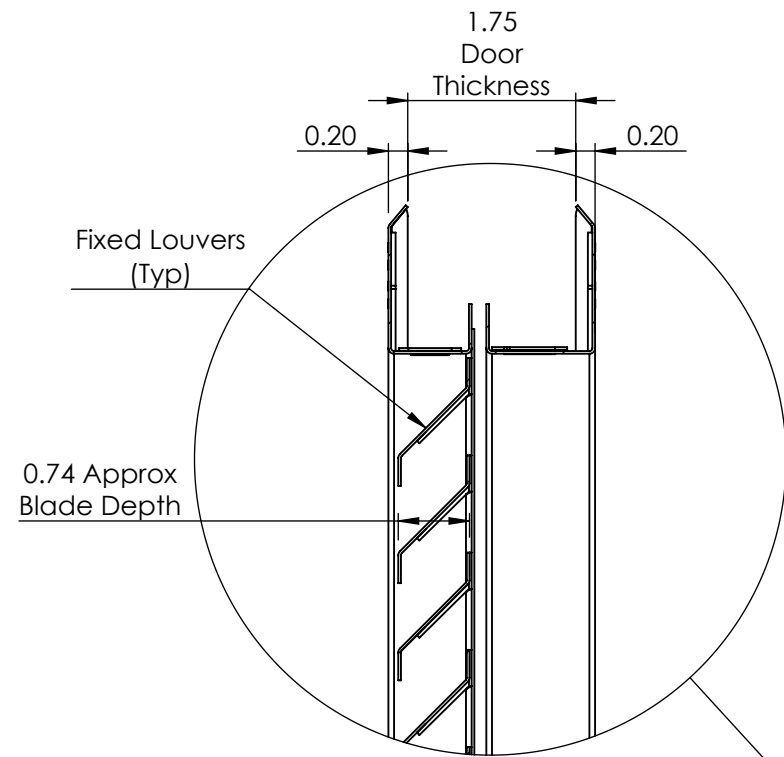
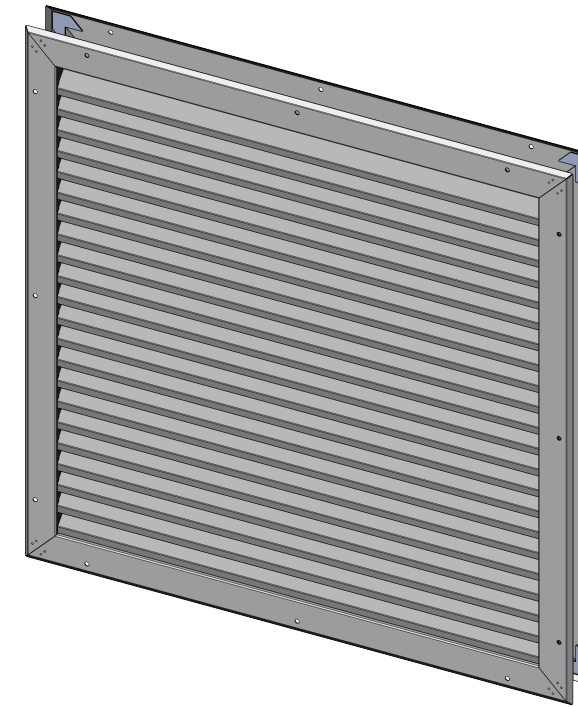


# SSG-AUX

LOUVERED DOOR GRILLE  
w/AUXILIARY FRAME



AJ MANUFACTURING CO. INC.  
8701 ELMWOOD AVE #400, KANSAS CITY, MO 64132  
PH: 816.231.5522 / WWW.AJMFG.COM



Countersunk Screw Holes (Typ)

