

150

SINGLE DEFLECTION SUPPLY GRILLE

STANDARD CONSTRUCTION

- 304 Stainless Steel

ORDER SIZE (Duct Opening Size)

W: _____ x H: _____

MOUNTING OPTIONS

- Surface Mount
- Lay-In

FEATURE OPTIONS

- No Countersunk Screw Holes
(Surface Mount Only)
- Lay-In Panel

INLET/OUTLET OPTIONS

- Round - Size: _____
- Square - Size: _____
 - Flanged
- Rectangle - Size: _____
 - Flanged

MATERIAL OPTIONS

- 316 Stainless Steel

FINISH OPTIONS

- Polished
- White Antimicrobial Powder Coat
- Other: _____

DAMPER OPTIONS

- SSRD - Butterfly Damper
- SSBD - Bowtie Damper
- S-44 - Opposed Blade Damper

BLADE SPACING OPTIONS

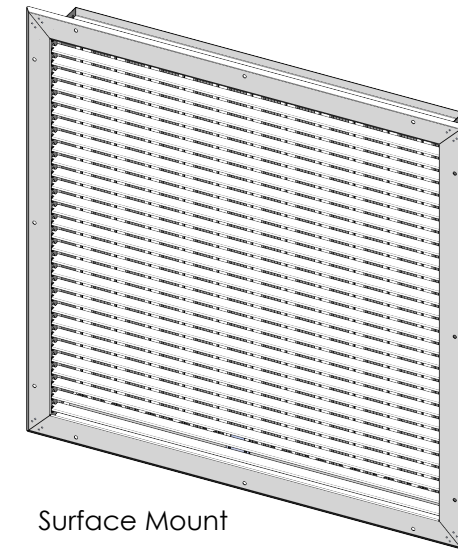
- 0.75" (Std)
- Custom

BLADE DIRECTION OPTIONS

- Horizontal
- Vertical

BLADE OPTIONS

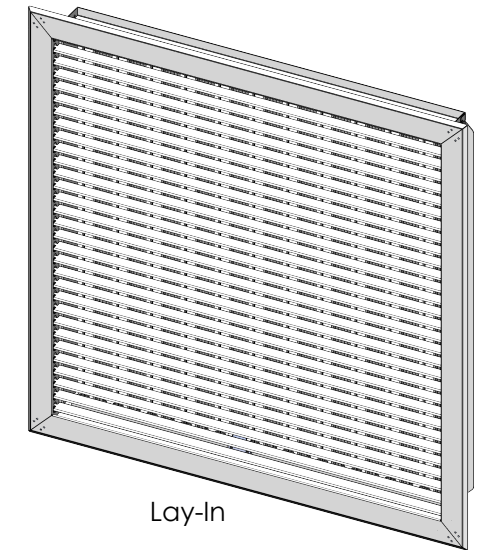
- Long Throw (See Page 2)
 - Blade Depth
 - 1.50" (Std)
 - 3.00"



Surface Mount

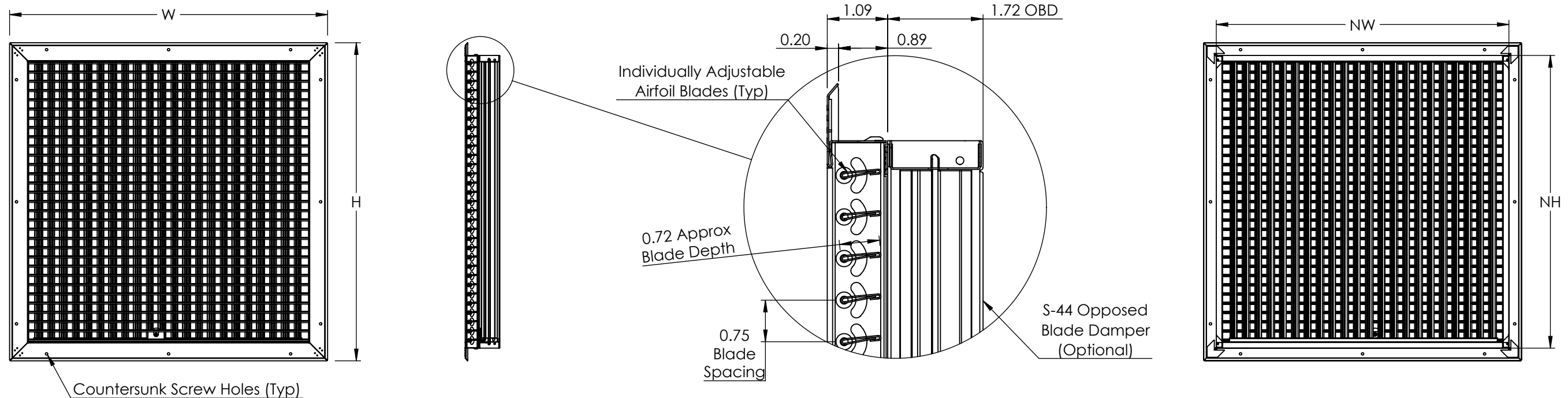


AJ MANUFACTURING CO. INC.
8701 ELMWOOD AVE #400, KANSAS CITY, MO 64132
PH: 816.231.5522 / WWW.AJMFG.COM



Lay-In

MOUNTING STYLE	NOMINAL SIZE	OVERALL WIDTH (W)	OVERALL HEIGHT (H)	NECK WIDTH (NW)	NECK HEIGHT (NH)
Surface Mount	12 x 12	13.81	13.81	11.75	11.75
	24 x 24	25.81	25.81	23.75	23.75
	Other	Nominal + 1.81	Nominal + 1.81	Nominal - 0.25	Nominal - 0.25
Lay-In	12 x 12	11.81	11.81	9.75	9.75
	24 x 24	23.81	23.81	21.75	21.75
	Other	Nominal - 0.19	Nominal - 0.19	Nominal - 2.25	Nominal - 2.25



150-LT

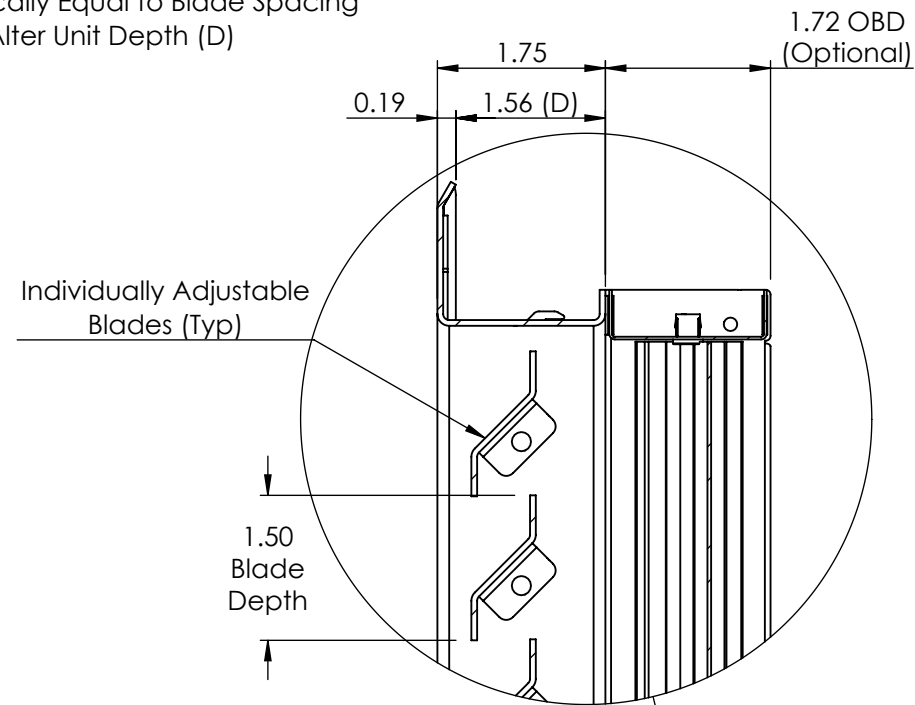
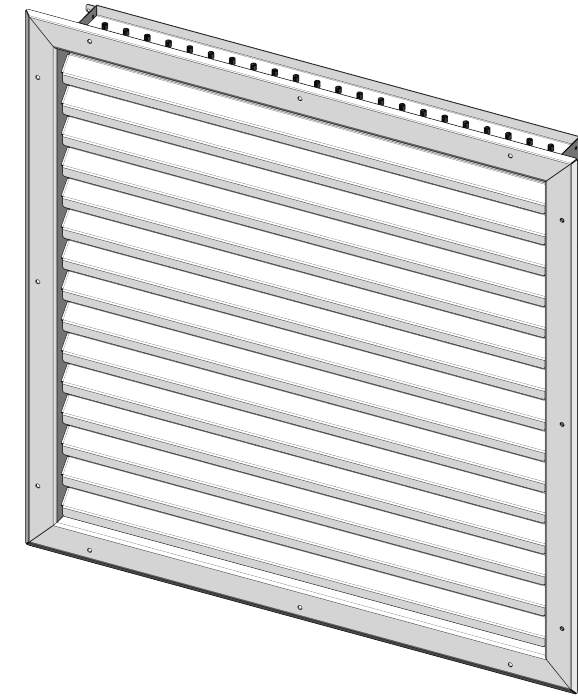
SINGLE DEFLECTION SUPPLY GRILLE LONG THROW

*** Note:**

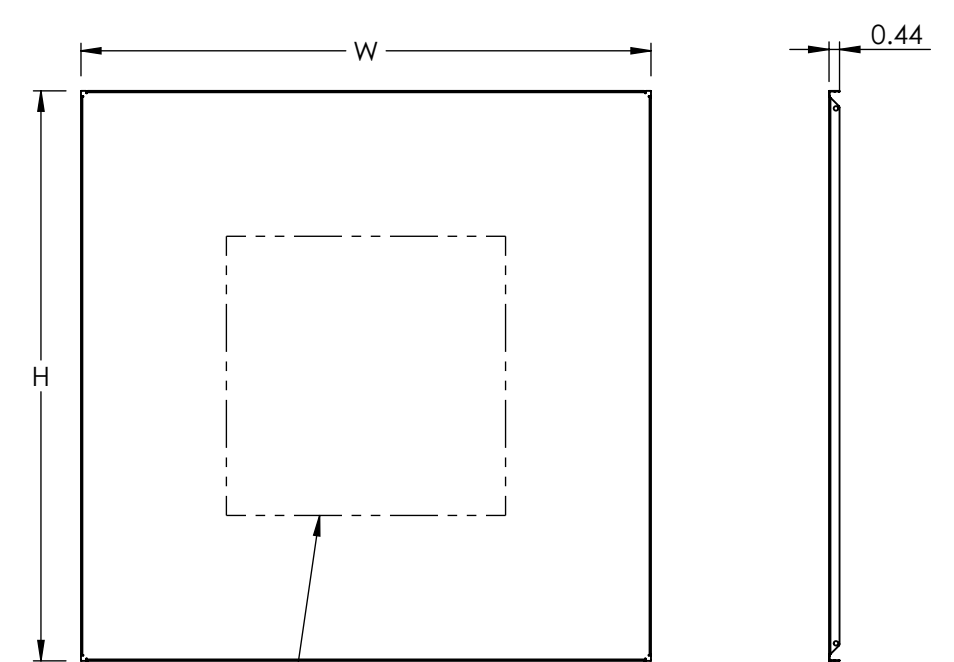
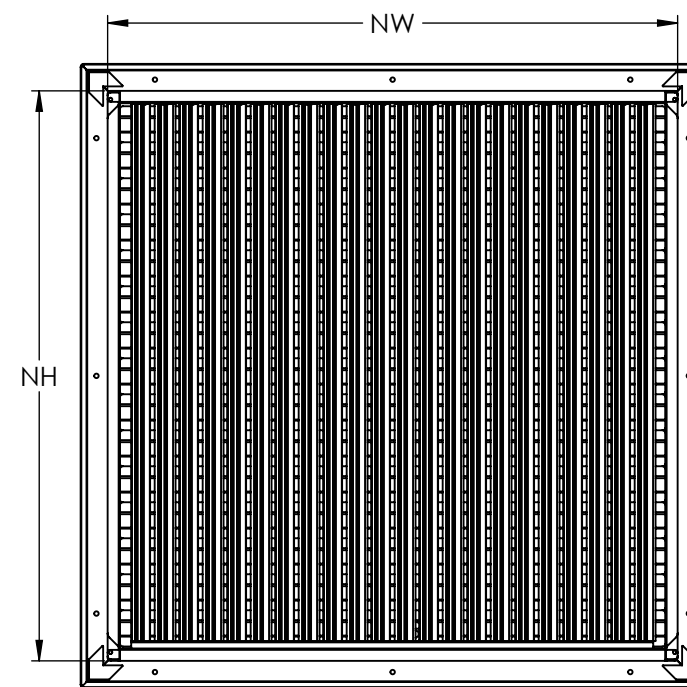
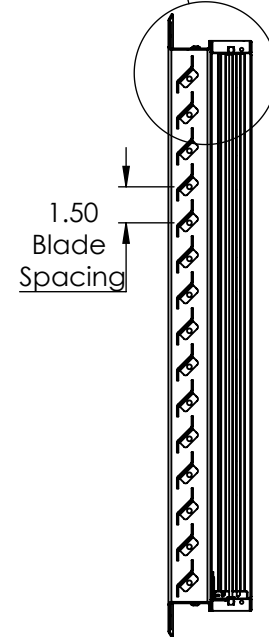
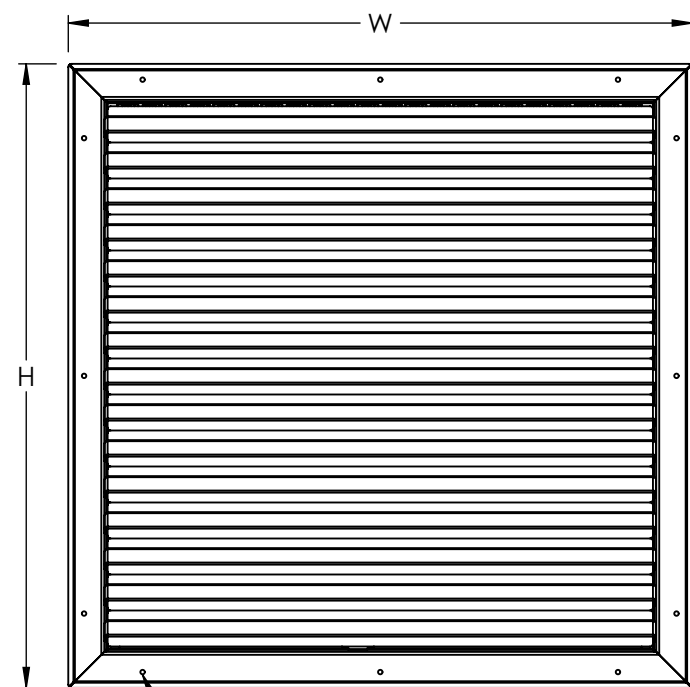
- Blade Depth Typically Equal to Blade Spacing
- Blade Depth will Alter Unit Depth (D)



AJ MANUFACTURING CO. INC.
8701 ELMWOOD AVE #400, KANSAS CITY, MO 64132
PH: 816.231.5522 / WWW.AJMFG.COM



MOUNTING STYLE	NOMINAL SIZE	OVERALL WIDTH (W)	OVERALL HEIGHT (H)	NECK WIDTH (NW)	NECK HEIGHT (NH)
Surface Mount	12 x 12	14.00	14.00	11.75	11.75
	24 x 24	26.00	26.00	23.75	23.75
	Other	Nominal + 2.00	Nominal + 2.00	Nominal - 0.25	Nominal - 0.25
Lay-In Panel	24 x 24	23.75	23.75	--	--
	Other	Nominal - 0.25	Nominal - 0.25	--	--



Countersunk Screw Holes (Typ)

Nominal Unit Size
(Max is 2" Smaller than Lay-In Panel Size)

SURFACE MOUNT

LAY-IN PANEL