

# SSFG

## NON-HINGED FILTER GRILLE

### STANDARD CONSTRUCTION

- 304 Stainless Steel

### ORDER SIZE (Duct Opening Size)

W: \_\_\_\_\_ x H: \_\_\_\_\_

### MOUNTING OPTIONS

- Surface Mount
- Lay-In Panel

### MATERIAL OPTIONS

- 316 Stainless Steel

### FINISH OPTIONS

- Polished
- White Antimicrobial Powder Coat
- Other: \_\_\_\_\_

### DAMPER OPTIONS

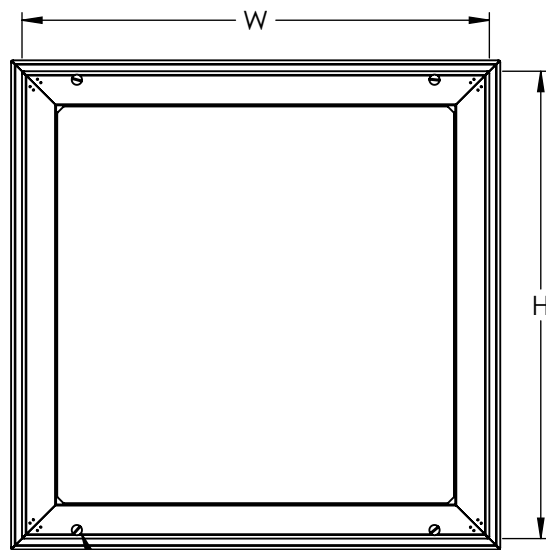
- S-44 - Opposed Blade Damper

### INLET/OUTLET OPTIONS

- Round - Size: \_\_\_\_\_
- Square - Size: \_\_\_\_\_
  - Flanged
- Rectangle - Size: \_\_\_\_\_
  - Flanged

### FILTER SPACING

- None
- 1"
- 2"
- Other



Quarter-Turn Fasteners (Typ)

### UNIT OPTIONS

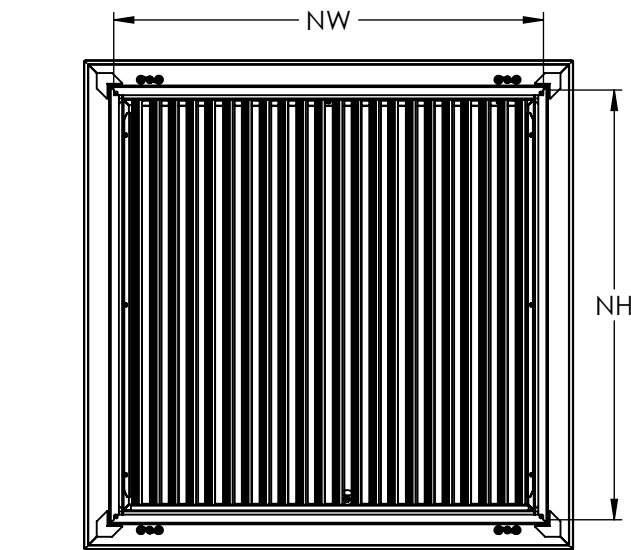
- 150 Single Deflection Supply Grille** (See Page 2)
  - Blade Direction
    - Horizontal
    - Vertical
  - Blade Spacing
    - 0.75" (Std)
    - Custom

- 250 Double Deflection Supply Grille** (See Page 3)
  - Blade Direction
    - Horizontal
    - Vertical
  - Blade Spacing
    - 0.75" (Std)
    - 1.50"
  - Heavy Duty (0.50" Blade Spacing)
    - Exterior Blades Fixed Angle
      - 0°
      - 45°

- 550 Return Grille** (See Page 4)
  - Blade Direction
    - Horizontal
    - Vertical
  - Blade Angle
    - 45°
    - 0°
  - Blade Spacing
    - 0.75" (Std)
    - 0.50"
  - Heavy Duty (Added Blade Bracing)

- EC - Egg Crate** (See Page 5)
  - Core Options
    - 0.5" x 0.5" x 0.5" (Std)
    - 1.0" x 1.0" x 1.0"
  - Channel Frame
  - Angled Blades - 45°

- SSG - Louvered Return Grille** (See Page 6)
- LATTICE** (See Page 7)
  - Pattern Options
    - LA
    - LB
    - LC
    - LD
    - LE
    - LF
    - LG
    - LH
    - LI
    - LJ



**SURFACE MOUNT**

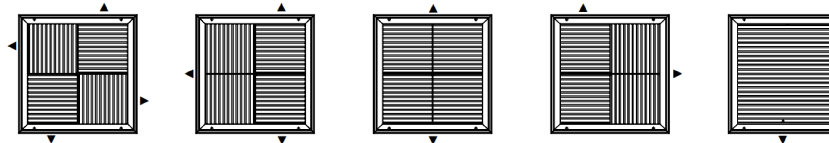
### UNIT OPTIONS (Continued)

- PERF Grille** (See Page 8)
  - Airflow Options
    - Supply
    - Return
  - Airflow Patterns (Supply Grille Only)
    - 4-Way
    - 3-Way
    - 2-Way Opposite
    - 2-Way Corner
    - 1-Way



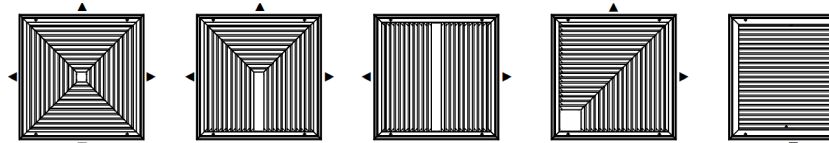
- MLCD - Modular Louvered Ceiling Diffuser** (See Page 9)

- Airflow Patterns
  - 4-Way
  - 3-Way
  - 2-Way Opposite
  - 2-Way Corner
  - 1-Way Order SSG

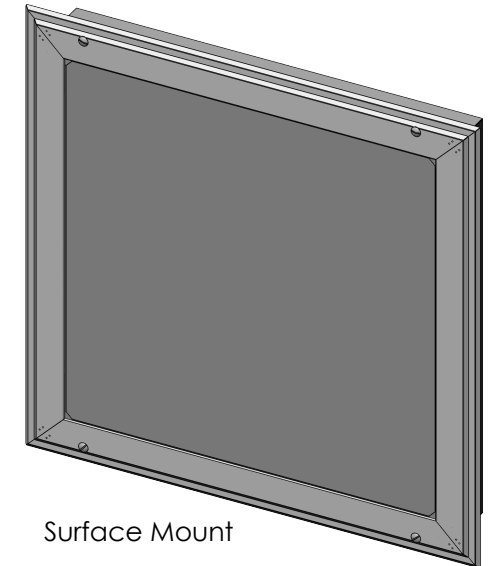


- CLCD - Concentric Louvered Ceiling Diffuser** (See Page 10)

- Airflow Patterns
  - 4-Way
  - 3-Way
  - 2-Way Opposite
  - 2-Way Corner
  - 1-Way Order SSG

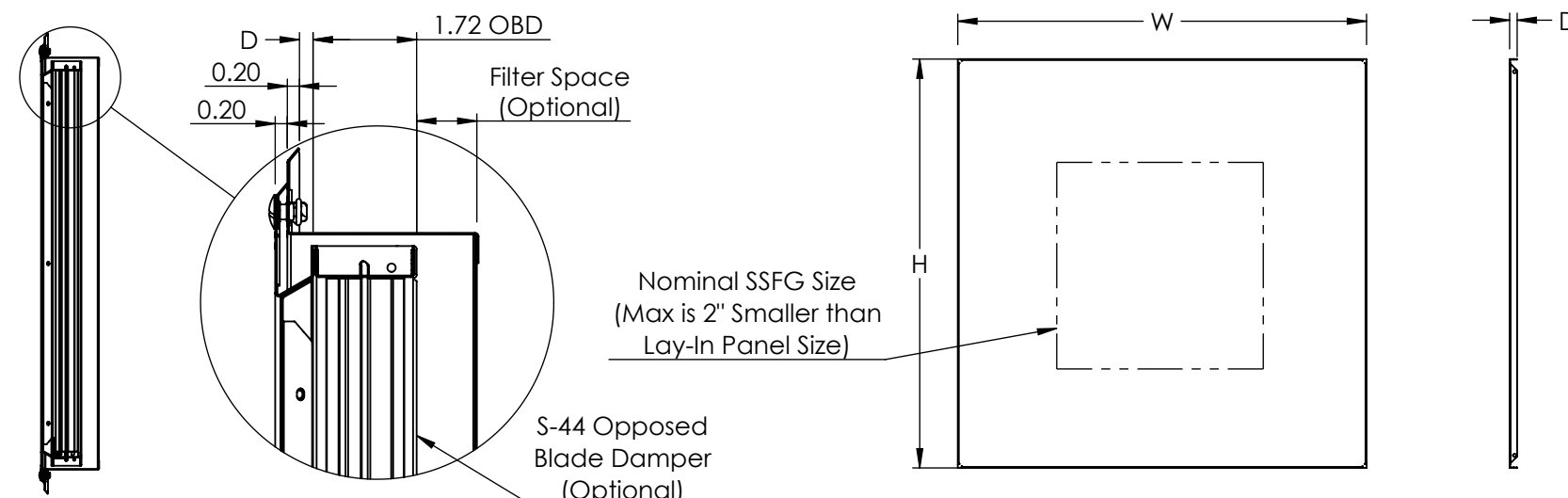


**AJ MANUFACTURING CO. INC.**  
 8701 ELMWOOD AVE #400, KANSAS CITY, MO 64132  
 PH: 816.231.5522 / WWW.AJMFG.COM



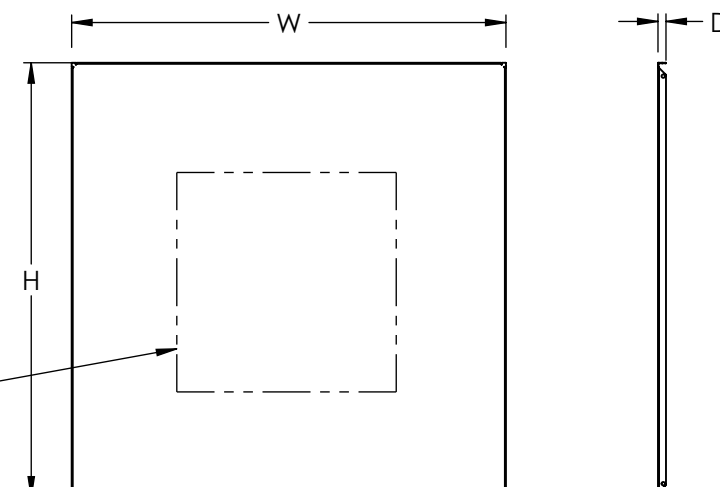
Surface Mount

MOUNTING STYLE	NOMINAL SIZE	OVERALL WIDTH (W)	OVERALL HEIGHT (H)	NECK WIDTH (NW)	NECK HEIGHT (NH)	DEPTH (D)
Surface Mount	12 x 12	14.75	14.75	11.94	11.94	See Detail on Unit Specific Page
	24 x 24	26.75	26.75	23.94	23.94	
	Other	Nominal + 2.75	Nominal + 2.75	Nominal - 0.06	Nominal - 0.06	
Lay-In Panel	24 x 24	23.75	23.75	--	--	0.44
	Other	Nominal - 0.25	Nominal - 0.25	--	--	



Nominal SSFG Size (Max is 2" Smaller than Lay-In Panel Size)

S-44 Opposed Blade Damper (Optional)



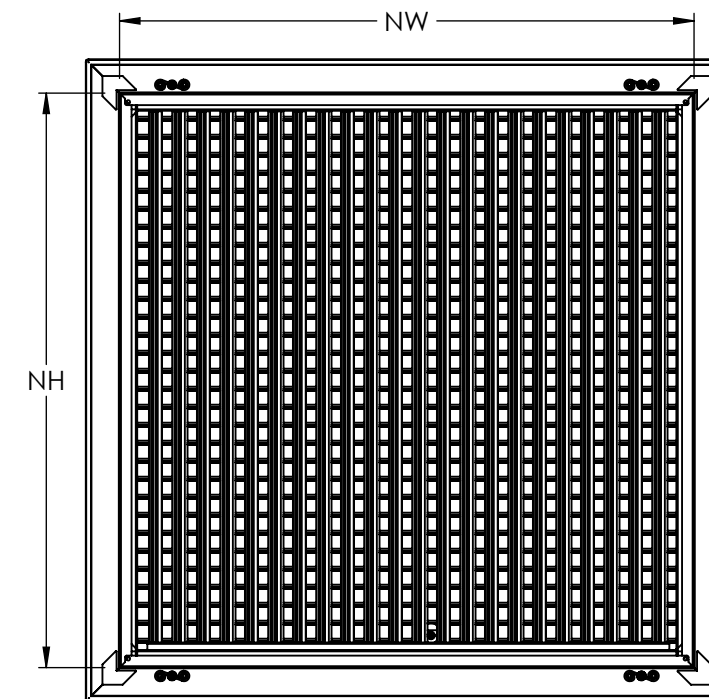
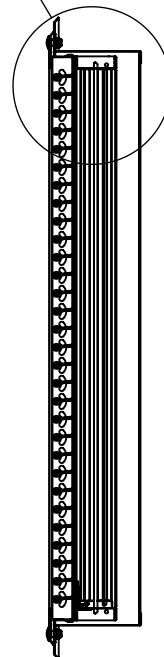
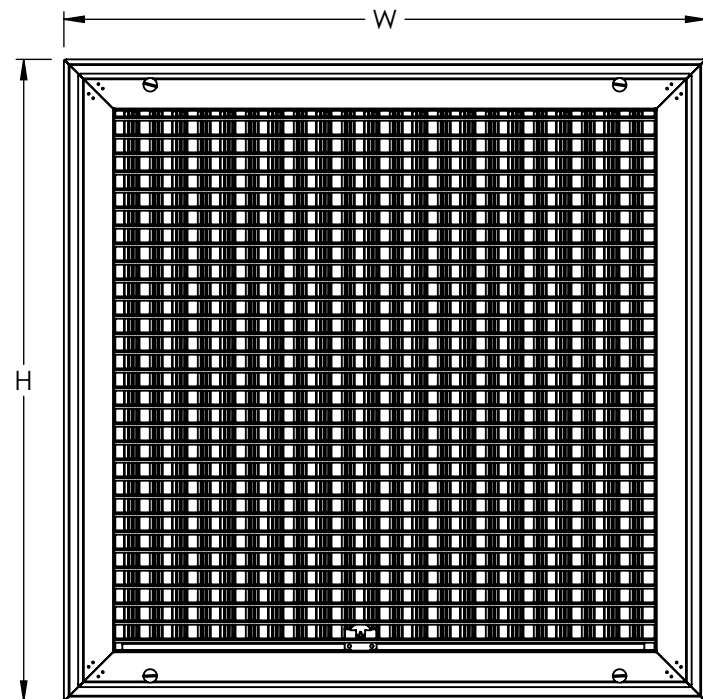
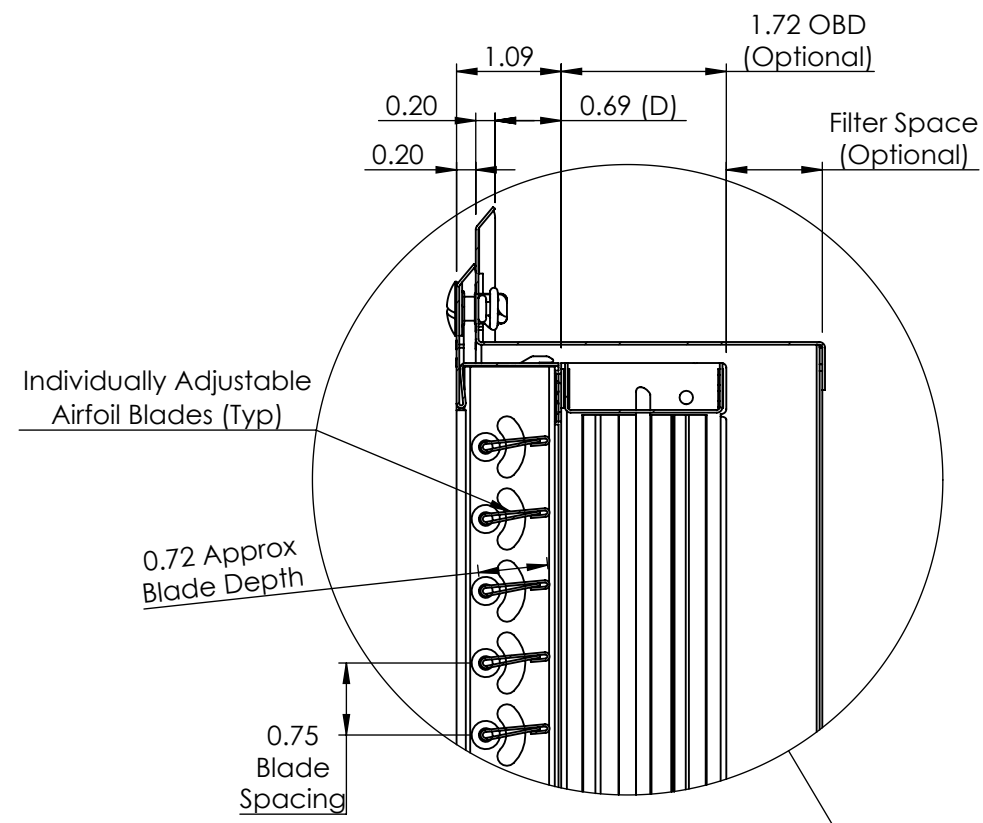
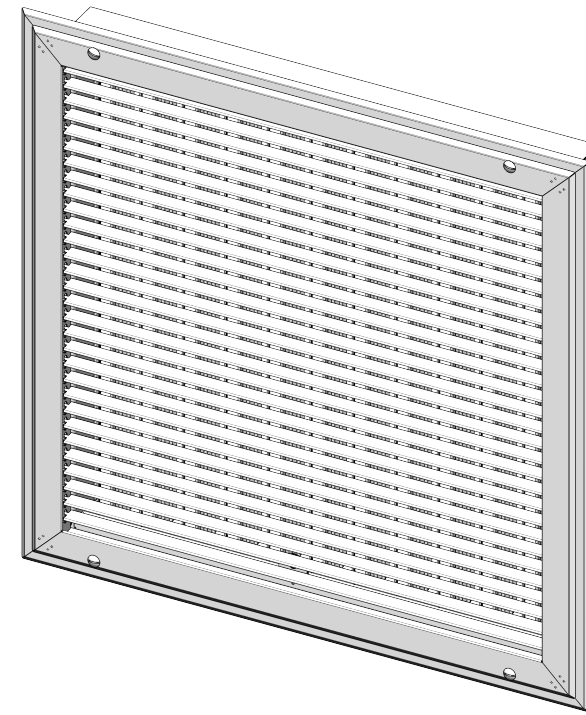
**LAY-IN PANEL**

# SSFG-150

NON-HINGED SUPPLY FILTER GRILLE  
SINGLE DEFLECTION



AJ MANUFACTURING CO. INC.  
8701 ELMWOOD AVE #400, KANSAS CITY, MO 64132  
PH: 816.231.5522 / WWW.AJMFG.COM

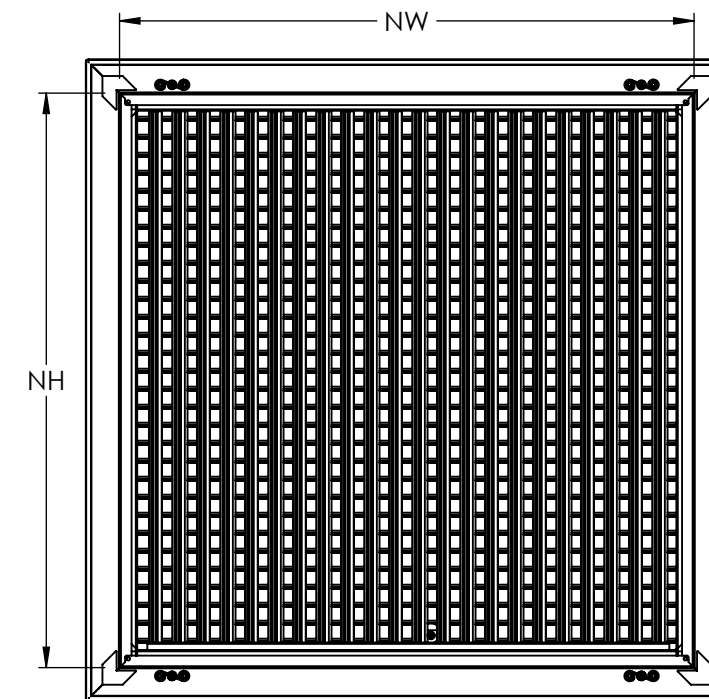
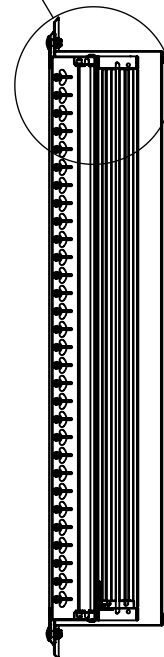
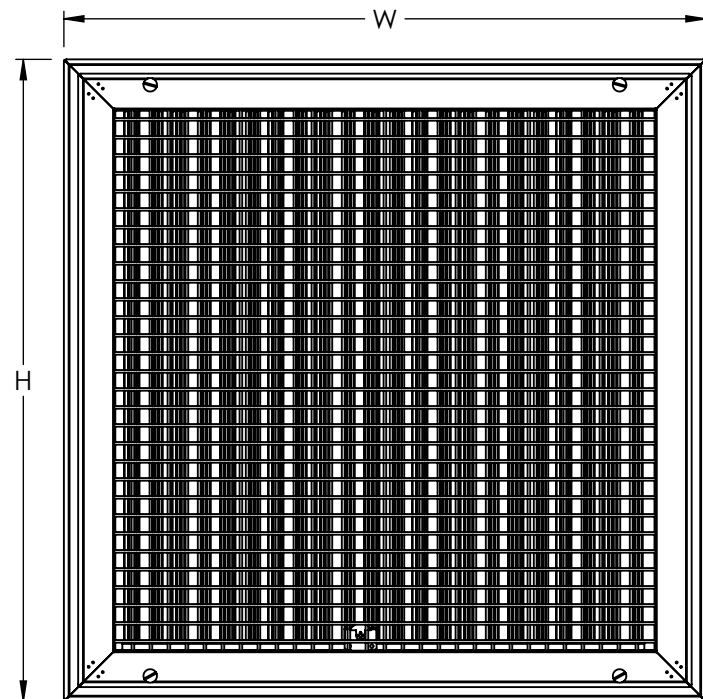
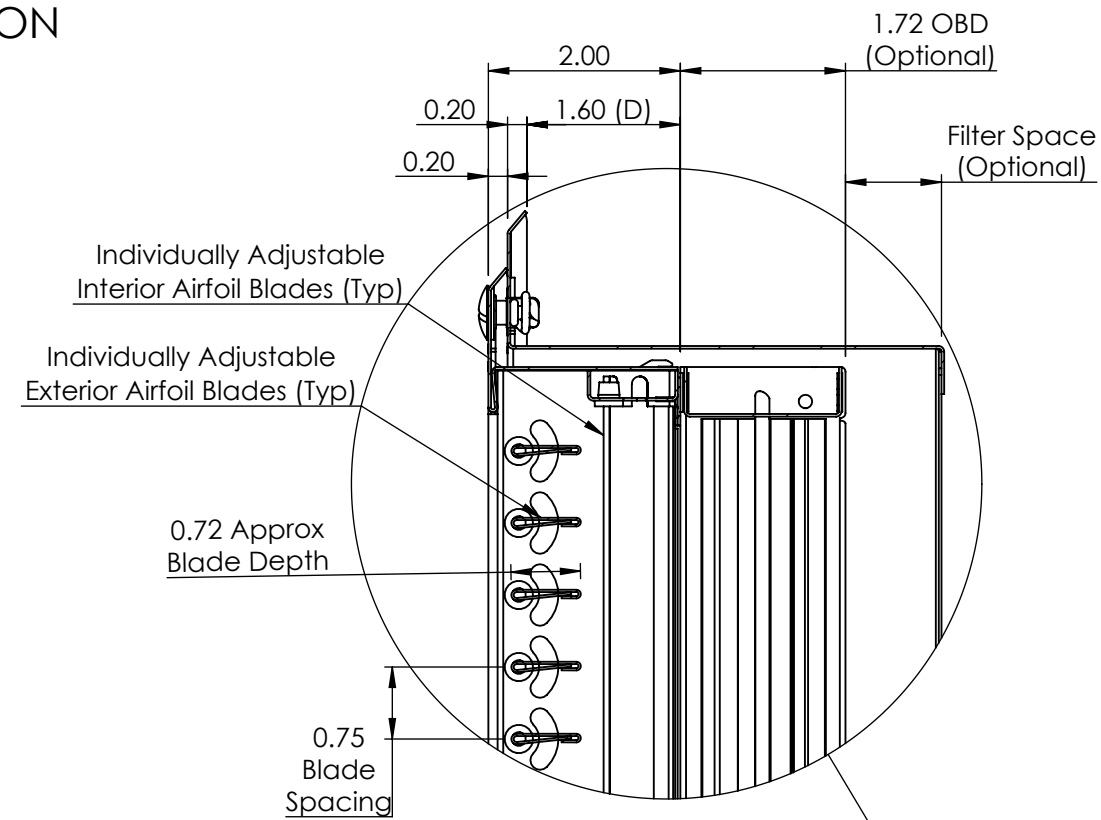
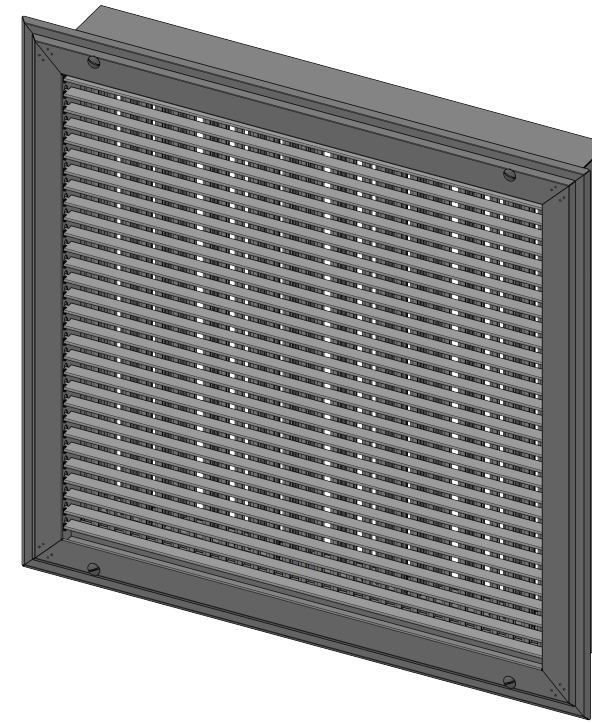


# SSFG-250

NON-HINGED SUPPLY FILTER GRILLE  
DOUBLE DEFLECTION



AJ MANUFACTURING CO. INC.  
8701 ELMWOOD AVE #400, KANSAS CITY, MO 64132  
PH: 816.231.5522 / WWW.AJMFG.COM



# SSFG-550

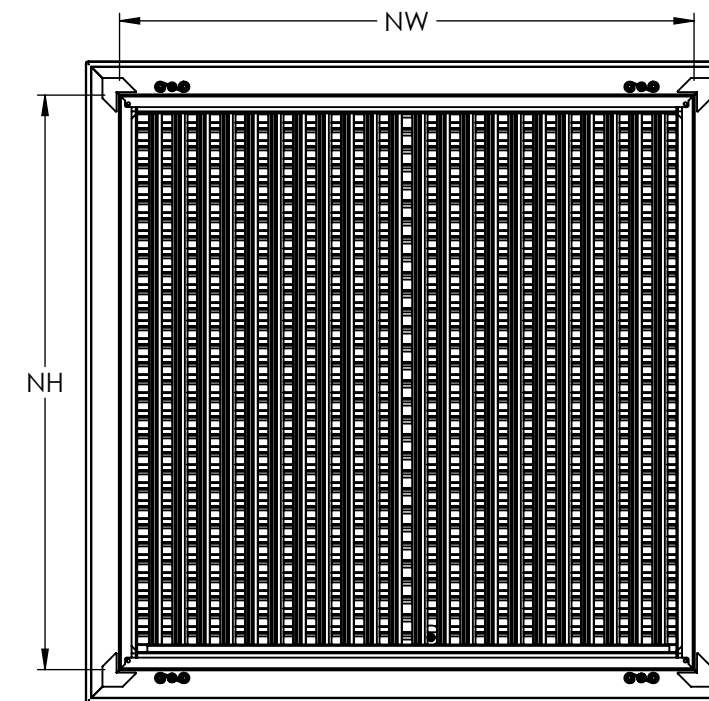
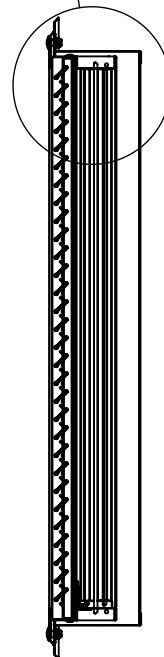
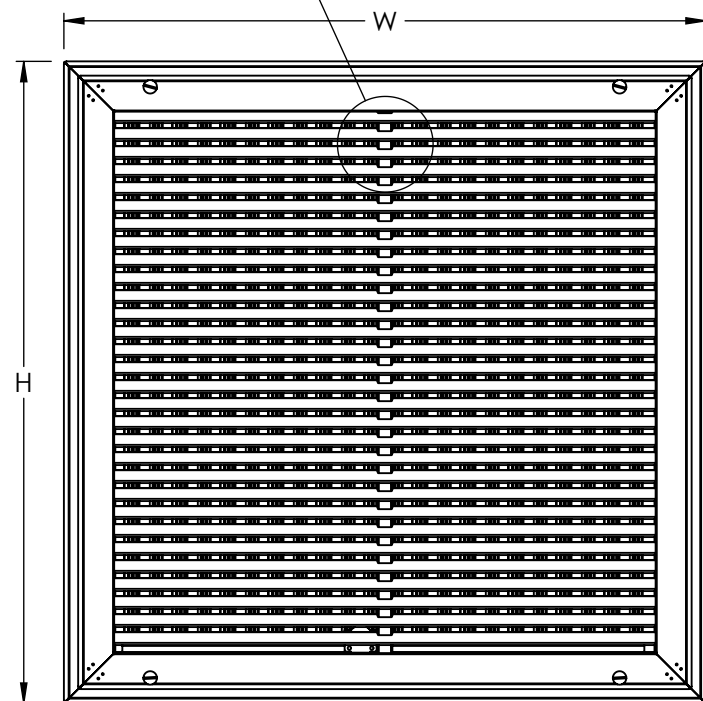
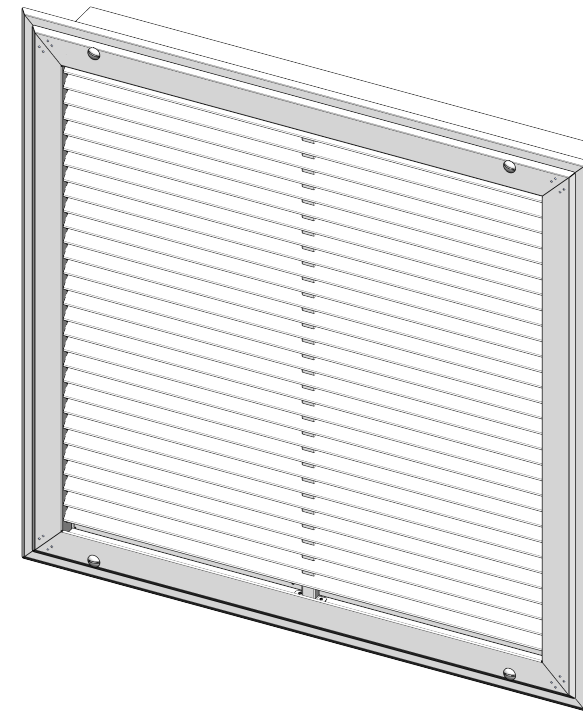
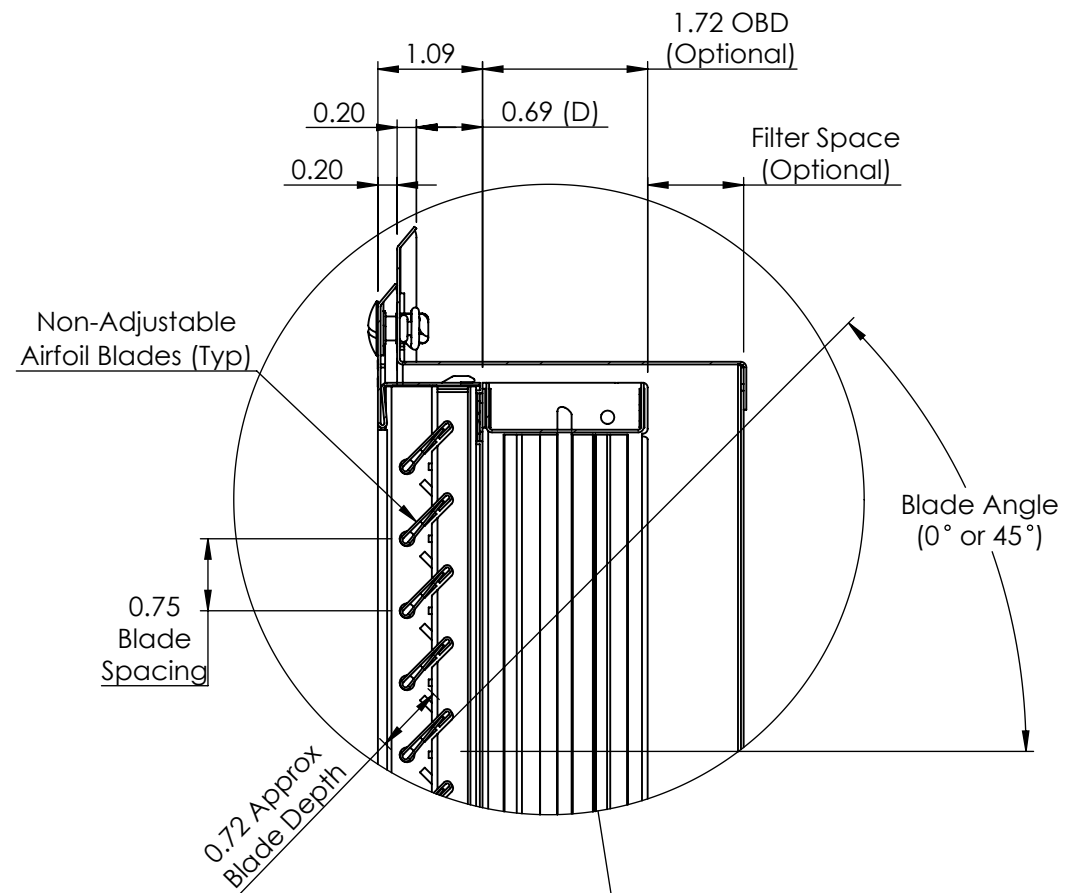
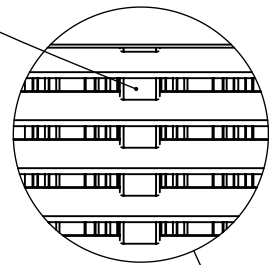
## NON-HINGED RETURN FILTER GRILLE SINGLE DEFLECTION



AJ MANUFACTURING CO. INC.  
8701 ELMWOOD AVE #400, KANSAS CITY, MO 64132  
PH: 816.231.5522 / WWW.AJMFG.COM

### Heavy Duty Bracing (Optional)

- Horizontal Blades - 1 Support per 24" in Width of the Unit
- Vertical Blades - 1 Support per 24" in Height of the Unit

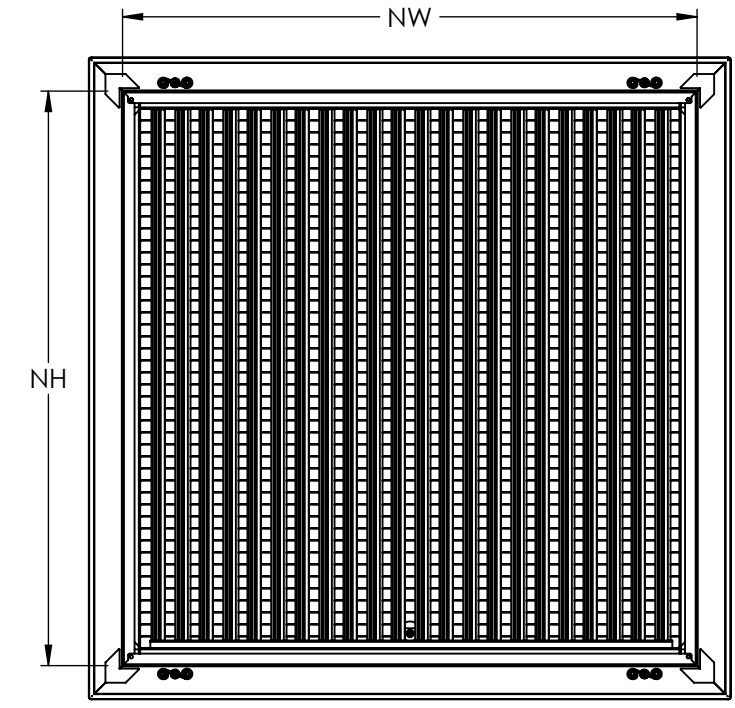
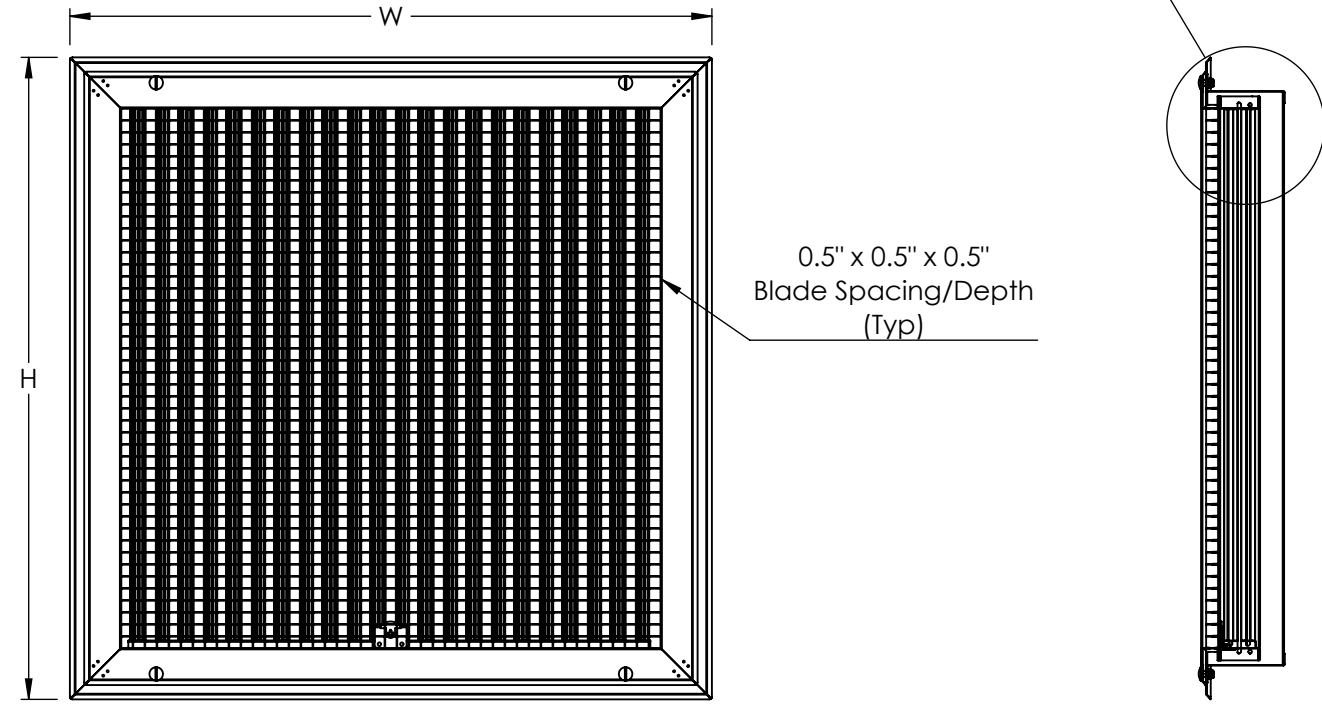
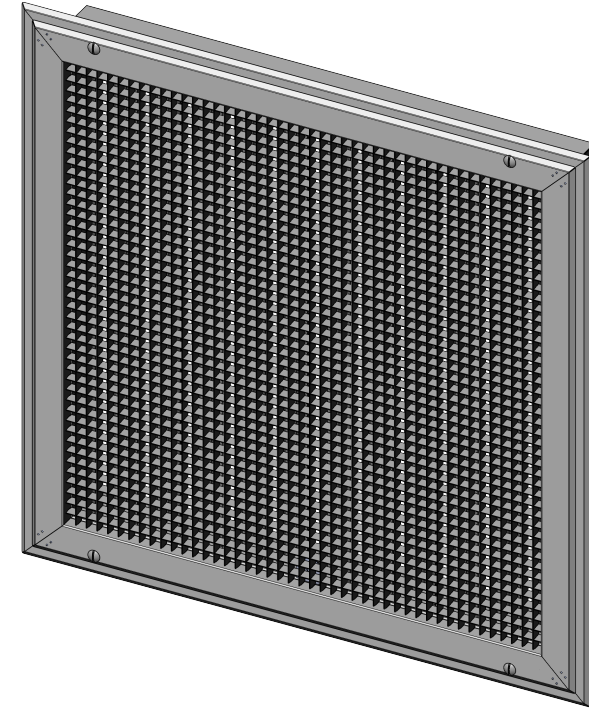
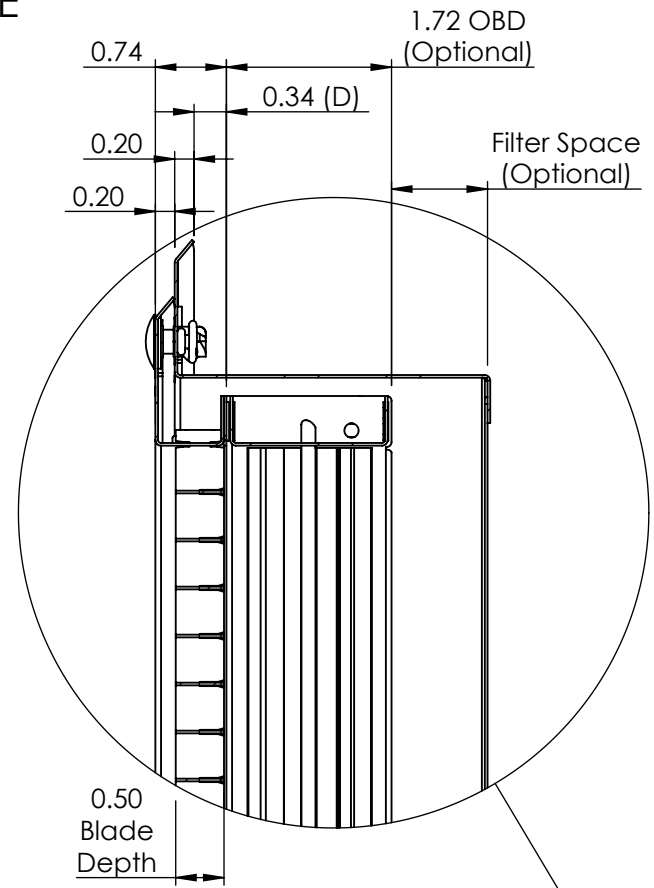


# SSFG-EC

## NON-HINGED RETURN FILTER GRILLE EGG CRATE



AJ MANUFACTURING CO. INC.  
8701 ELMWOOD AVE #400, KANSAS CITY, MO 64132  
PH: 816.231.5522 / WWW.AJMFG.COM

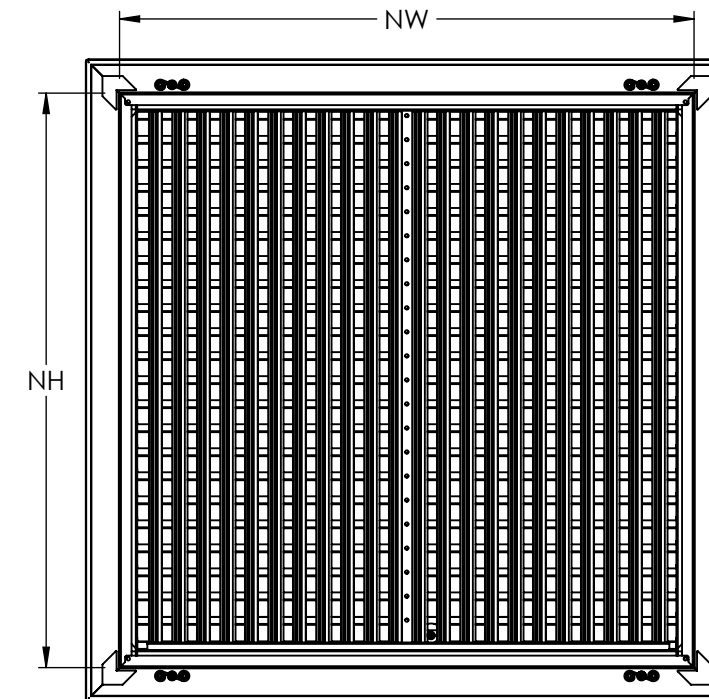
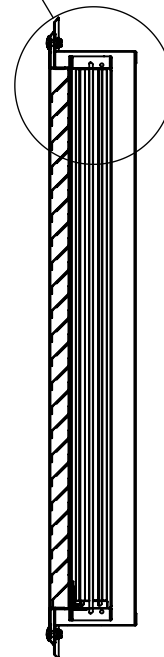
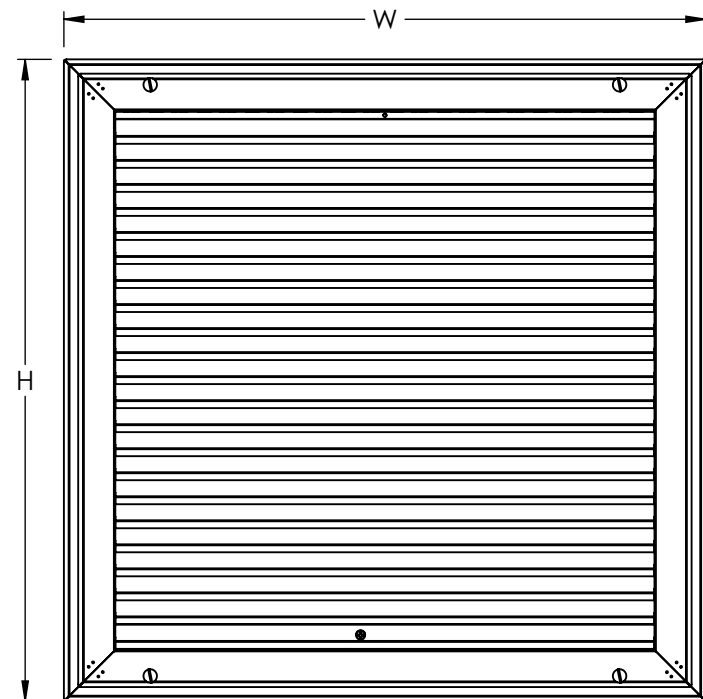
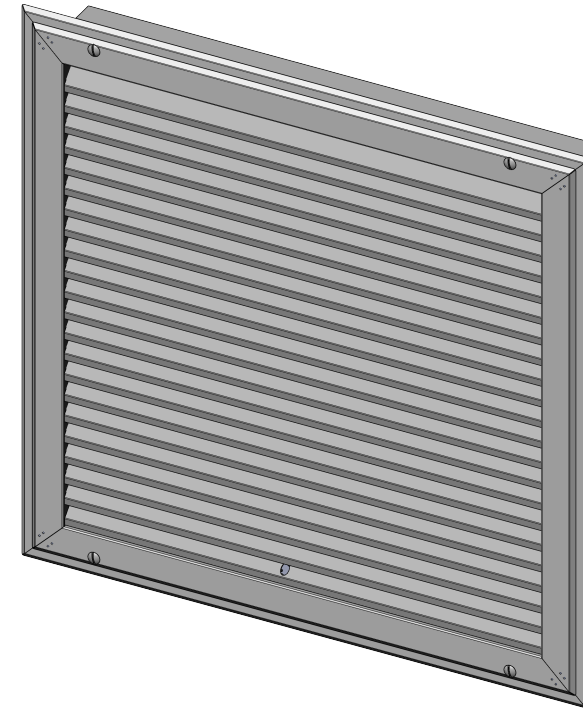
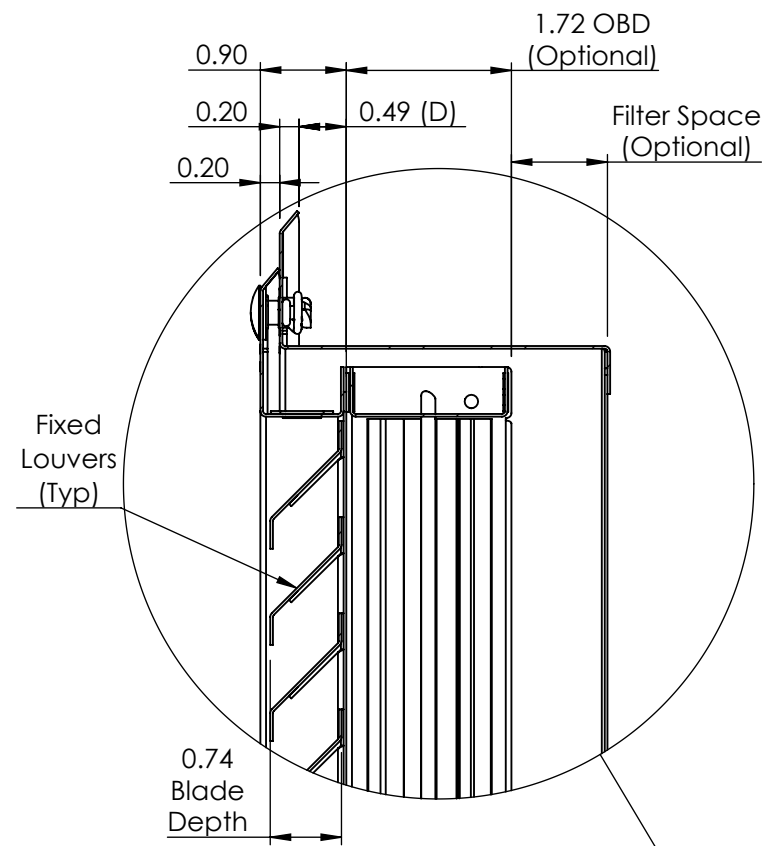


# SSFG-SSG

## NON-HINGED FILTER GRILLE LOUVERED CEILING DIFFUSER



AJ MANUFACTURING CO. INC.  
8701 ELMWOOD AVE #400, KANSAS CITY, MO 64132  
PH: 816.231.5522 / WWW.AJMFG.COM



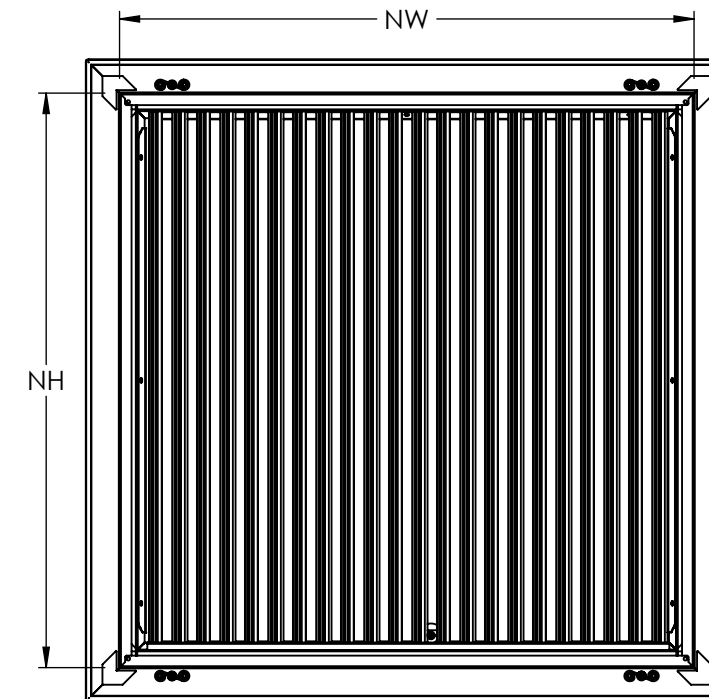
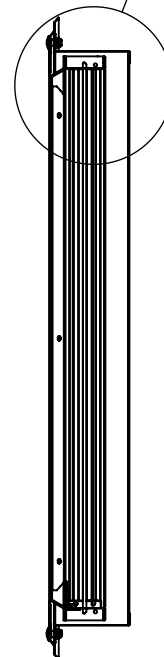
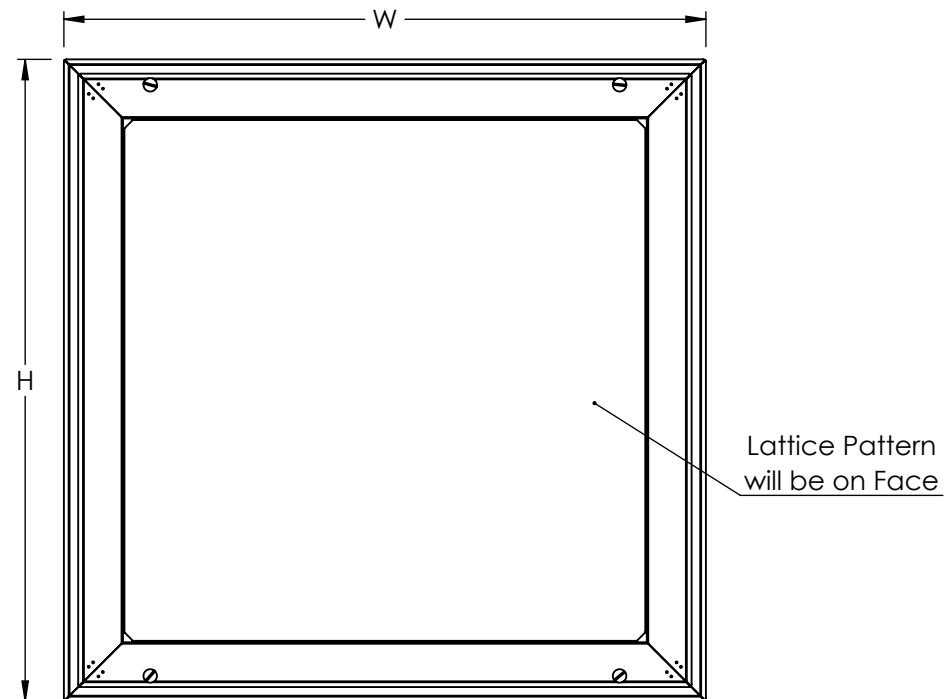
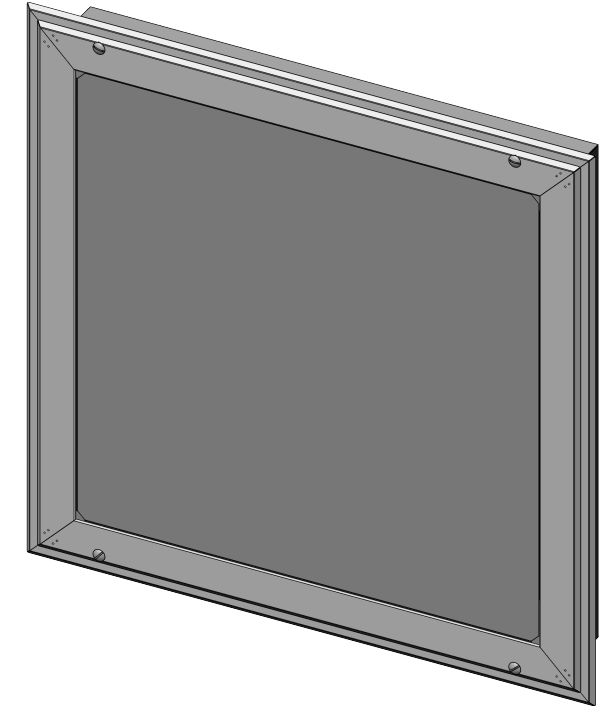
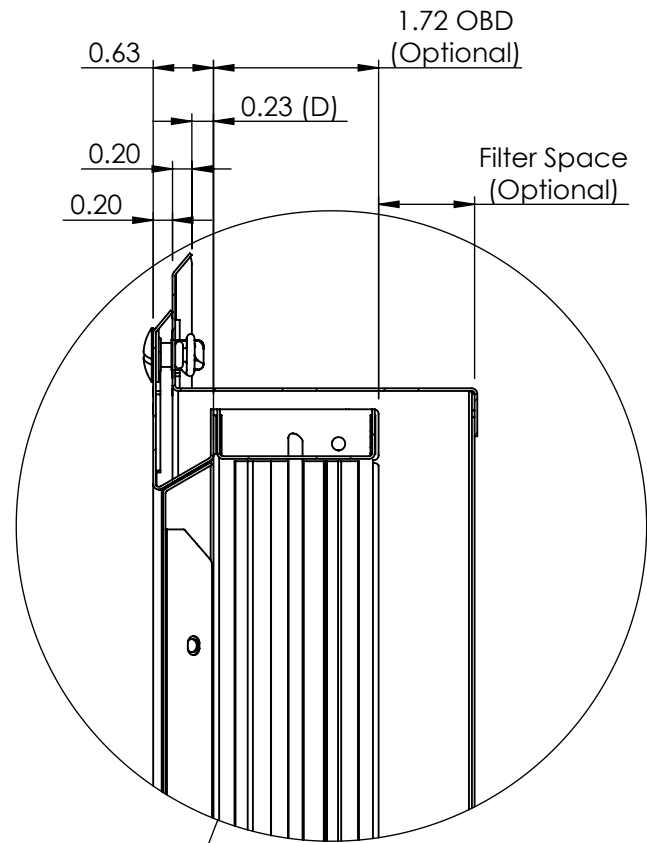
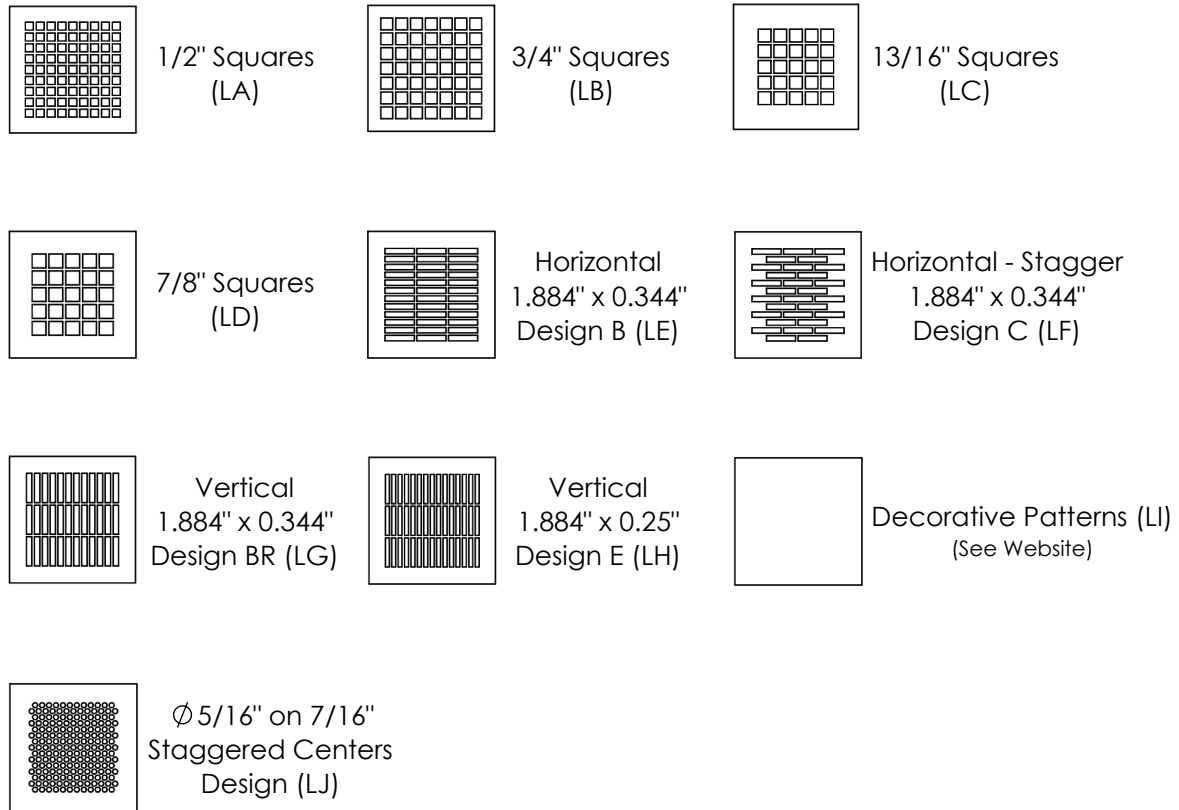
# SSFG-LATTICE

## NON-HINGED FILTER GRILLE



AJ MANUFACTURING CO. INC.  
8701 ELMWOOD AVE #400, KANSAS CITY, MO 64132  
PH: 816.231.5522 / WWW.AJMFG.COM

### Lattice Pattern Options

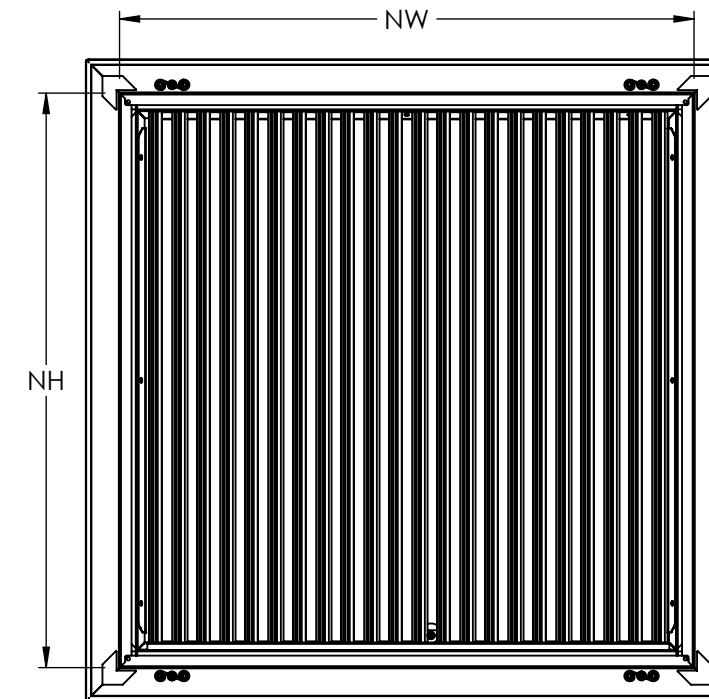
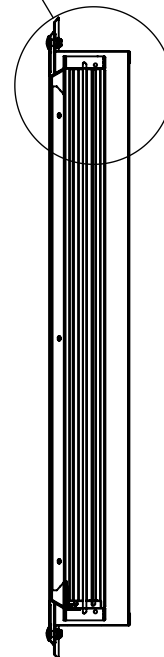
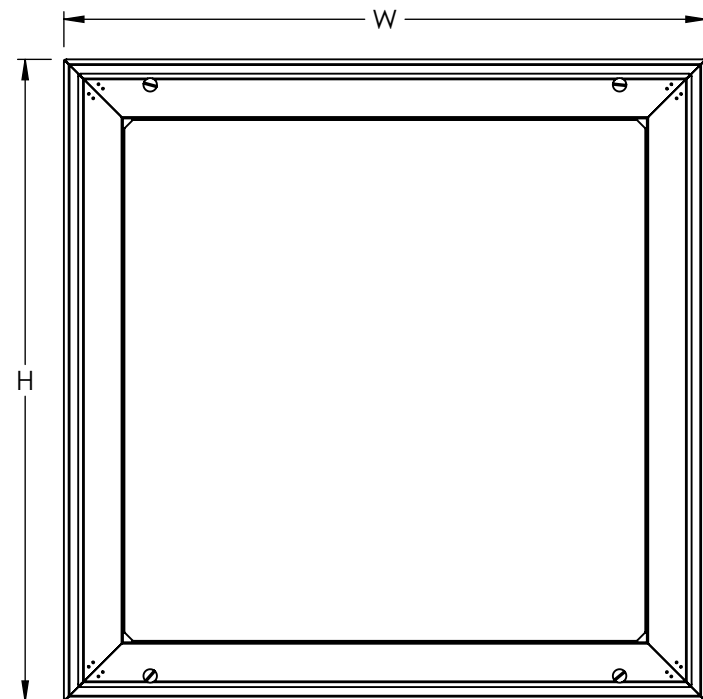
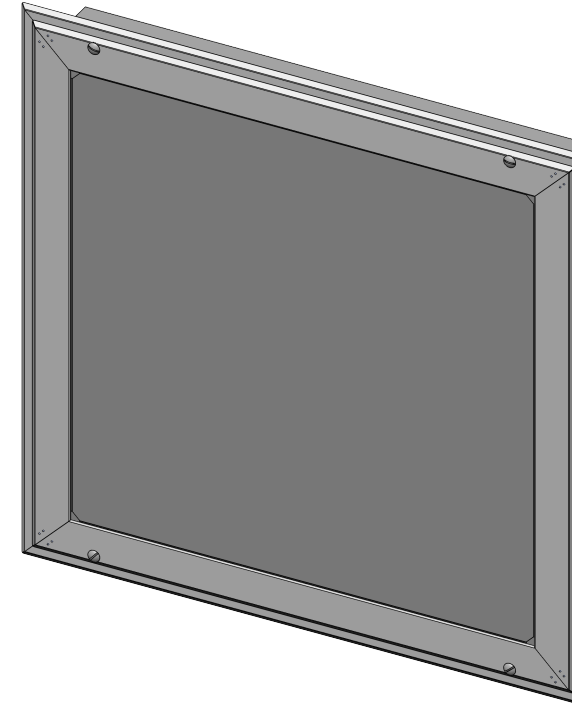
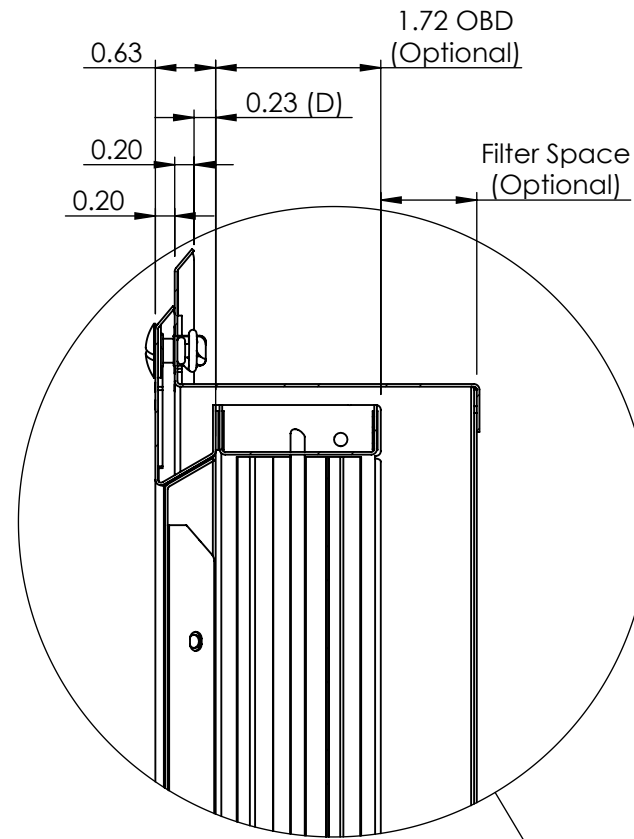


# SSFG-PERF

NON-HINGED FILTER GRILLE



AJ MANUFACTURING CO. INC.  
8701 ELMWOOD AVE #400, KANSAS CITY, MO 64132  
PH: 816.231.5522 / WWW.AJMFG.COM

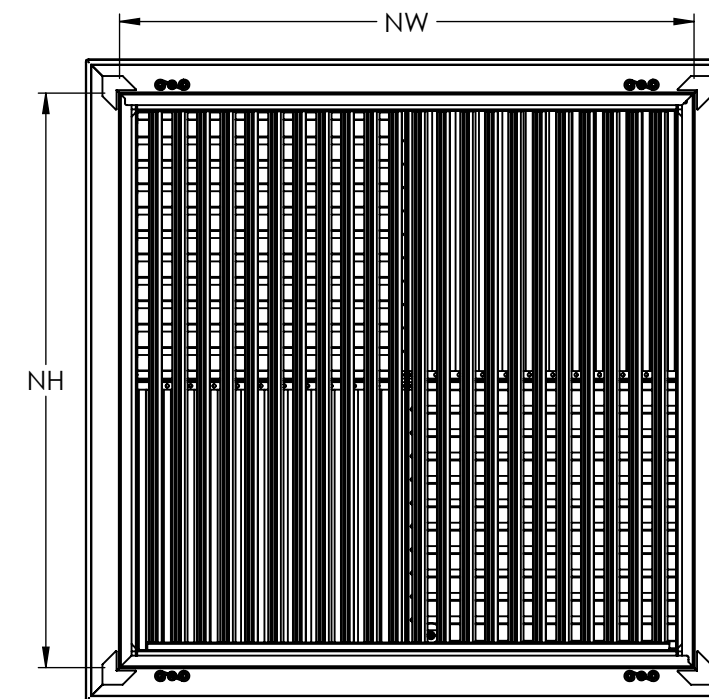
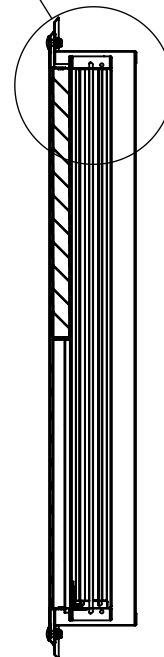
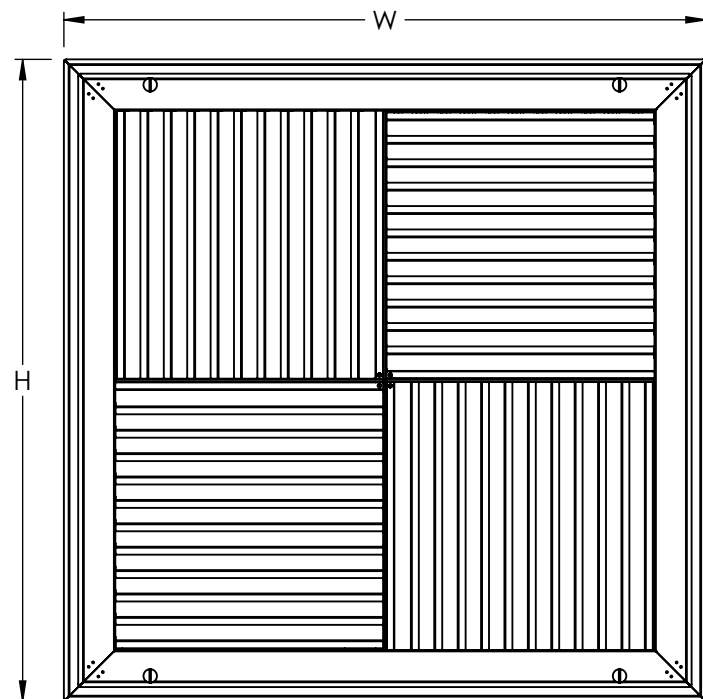
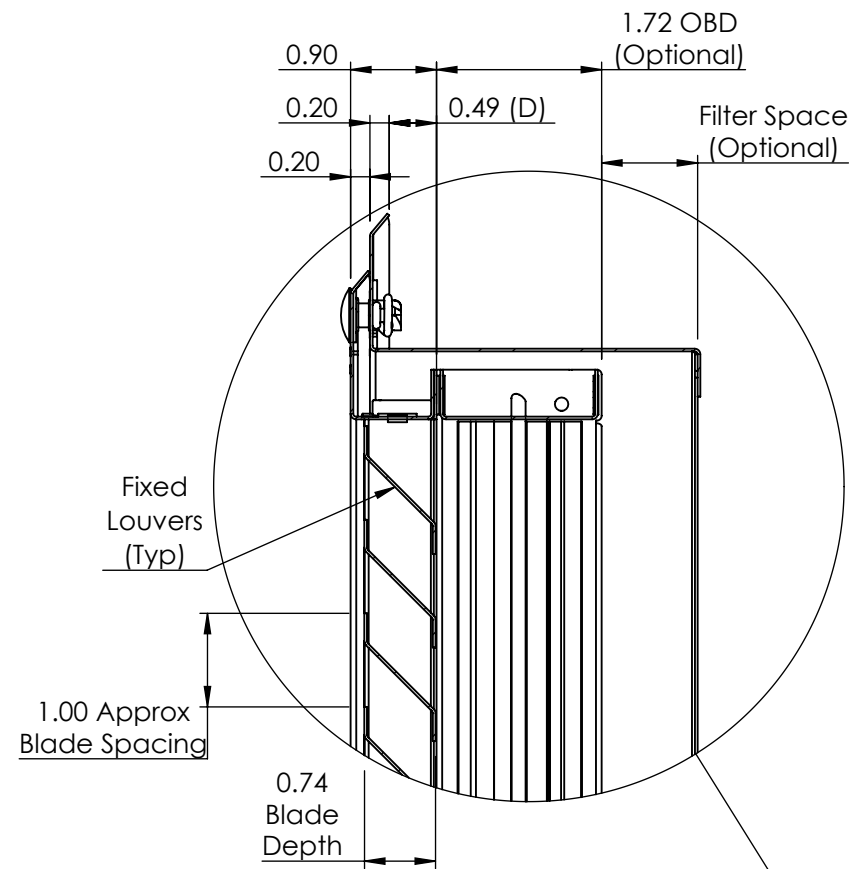
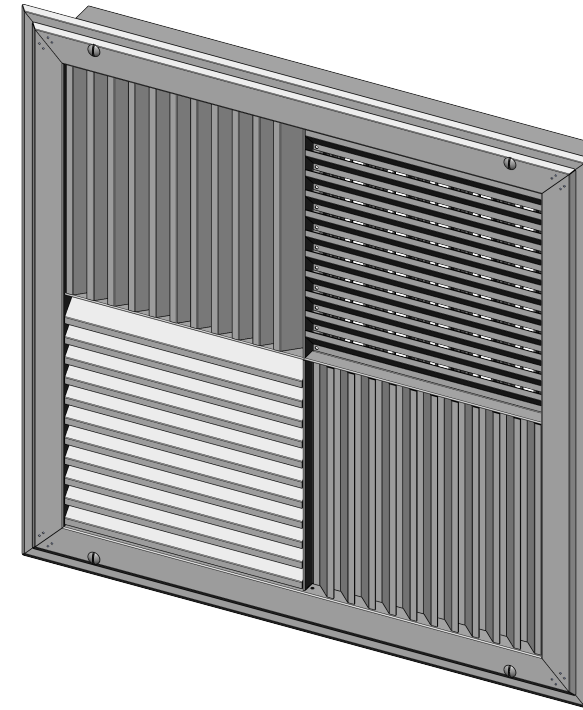


# SSFG-MLCD

NON-HINGED FILTER GRILLE  
MODULAR LOUVERED CEILING DIFFUSER



AJ MANUFACTURING CO. INC.  
8701 ELMWOOD AVE #400, KANSAS CITY, MO 64132  
PH: 816.231.5522 / WWW.AJMFG.COM



# SSFG-CLCD

## NON-HINGED FILTER GRILLE CONCENTRIC LOUVERED CEILING DIFFUSER



AJ MANUFACTURING CO. INC.  
8701 ELMWOOD AVE #400, KANSAS CITY, MO 64132  
PH: 816.231.5522 / WWW.AJMFG.COM

