

SSPERF

PERFORATED GRILLE

STANDARD CONSTRUCTION

- 304 Stainless Steel
- 51% Perf Face

ORDER SIZE (Duct Opening Size)

W: _____ x H: _____

AIRFLOW OPTIONS

- Supply
- Return

MOUNTING OPTIONS

- Surface Mount
- Lay-In

FEATURE OPTIONS

- No Countersunk Screw Holes
(Surface Mount Only)

INLET/OUTLET OPTIONS

- Round - Size: _____
- Square - Size: _____
 - Flanged
- Rectangle - Size: _____
 - Flanged

MATERIAL OPTIONS

- 316 Stainless Steel

FINISH OPTIONS

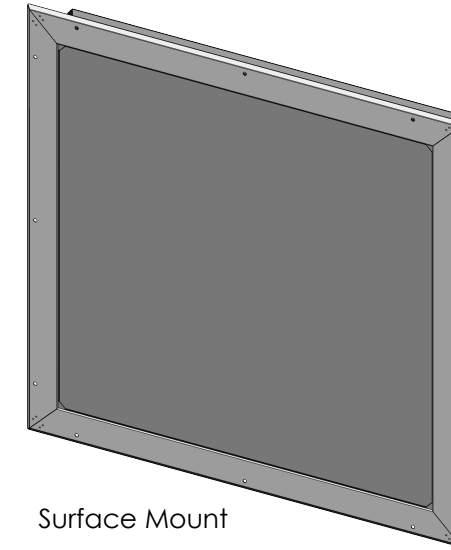
- Polished
- White Antimicrobial Powder Coat
- Other: _____

DAMPER OPTIONS

- SSRD - Butterfly Damper
- SSBD - Bowtie Damper
- S-44 - Opposed Blade Damper

AIRFLOW PATTERNS *(Supply Grille Only)*

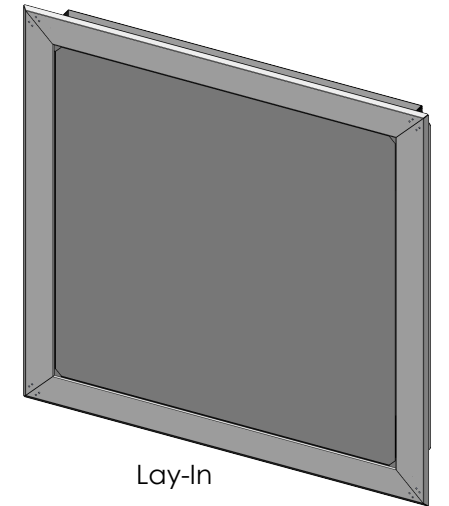
- 4-Way
- 3-Way
- 2-Way Opposite
- 2-Way Corner
- 1-Way



Surface Mount

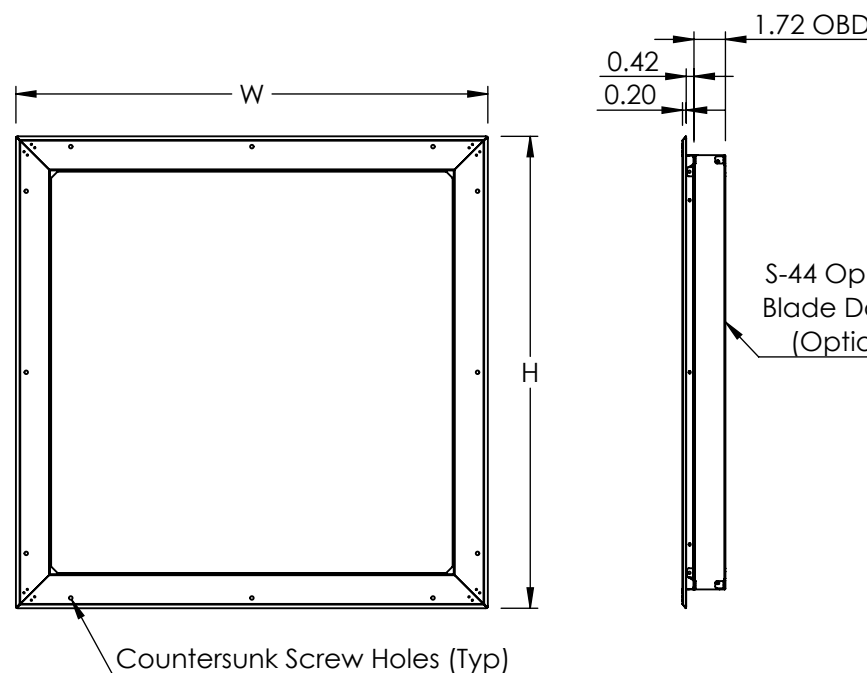


AJ MANUFACTURING CO. INC.
8701 ELMWOOD AVE #400, KANSAS CITY, MO 64132
PH: 816.231.5522 / WWW.AJMFG.COM

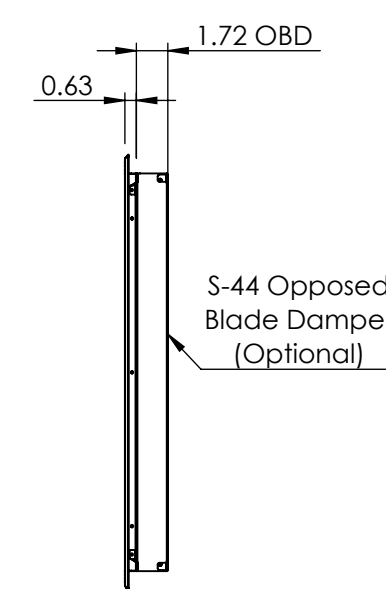
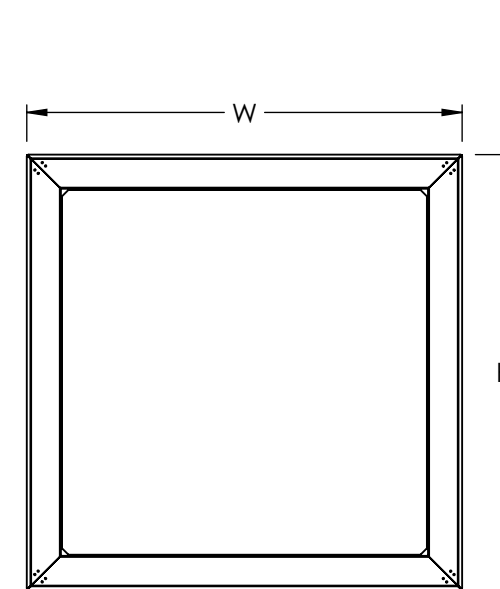
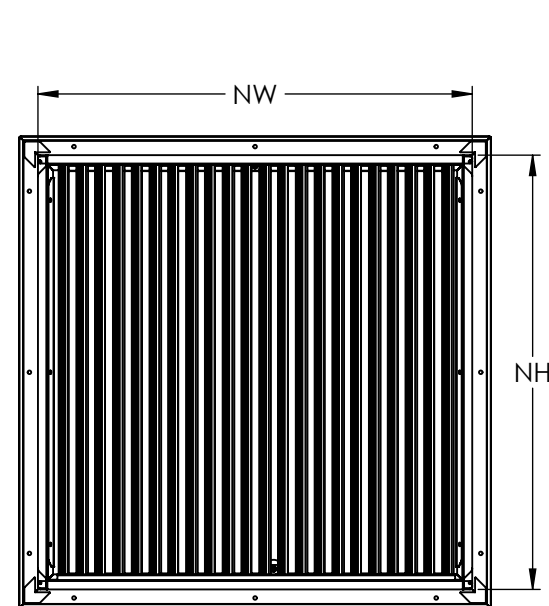


Lay-In

MOUNTING STYLE	NOMINAL SIZE	OVERALL WIDTH (W)	OVERALL HEIGHT (H)	NECK WIDTH (NW)	NECK HEIGHT (NH)
Surface Mount	12 x 12	13.81	13.81	11.75	11.75
	24 x 24	25.81	25.81	23.75	23.75
	Other	Nominal + 1.81	Nominal + 1.81	Nominal - 0.25	Nominal - 0.25
Lay-In	12 x 12	11.81	11.81	9.75	9.75
	24 x 24	23.81	23.81	21.75	21.75
	Other	Nominal - 0.19	Nominal - 0.19	Nominal - 2.25	Nominal - 2.25



SURFACE MOUNT



LAY-IN