

SSPLT-SURFACE MOUNT

PERFORATED DIFFUSER

STANDARD CONSTRUCTION

- 304 Stainless Steel
- 51% Perf Face
- Louvered 4-Way Airflow *(Supply Only)*

ORDER SIZE (Duct Opening Size)

W: _____ x H: _____

INLET/OUTLET OPTIONS

- Round - Size: _____
- Square - Size: _____
 - Flanged
- Rectangle - Size: _____
 - Flanged

FEATURE OPTIONS

- No Countersunk Screw Holes
- Foil Backed Insulation
 - 1.5" (R=4.2)
 - 2.25" (R=6.0)
- Alternate Airflow Distribution
 - Curved Blades
 - Airfoil Blades
 - Swirl Face

AIRFLOW OPTIONS

- Supply
- Return

MATERIAL OPTIONS

- 316 Stainless Steel

FINISH OPTIONS

- Polished
- White Antimicrobial Powder Coat
- Other: _____

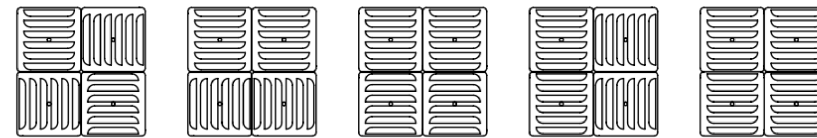
DAMPER OPTIONS

- SSRD - Butterfly Damper
- SSBD - Bowtie Damper
- S-44 - Opposed Blade Damper
(Only Available w/Rect. Inlet)

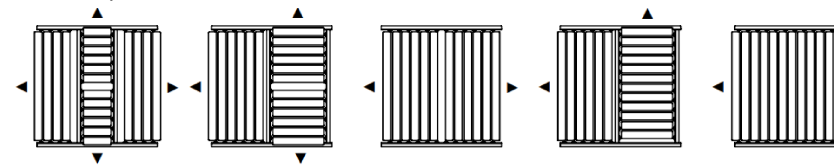
AIRFLOW PATTERNS (Supply Diffuser Only)

- 4-Way
- 3-Way
- 2-Way Opposite
- 2-Way Corner
- 1-Way

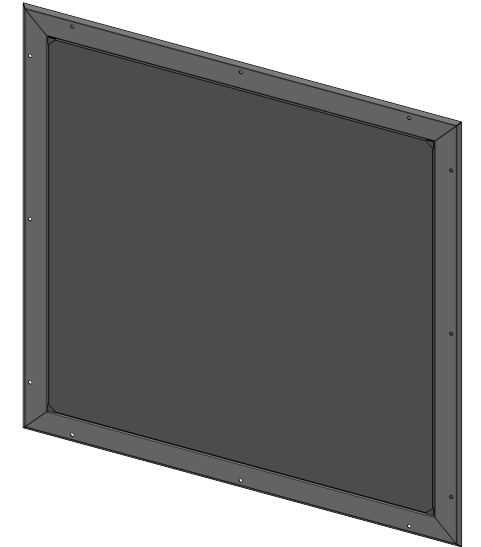
Louvered



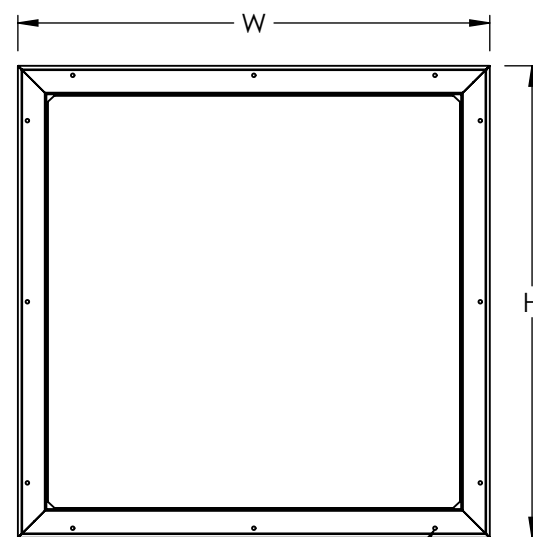
Airfoil / Curved Blades



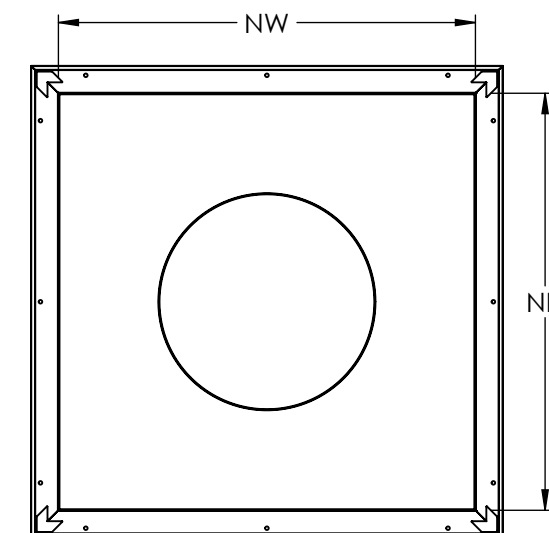
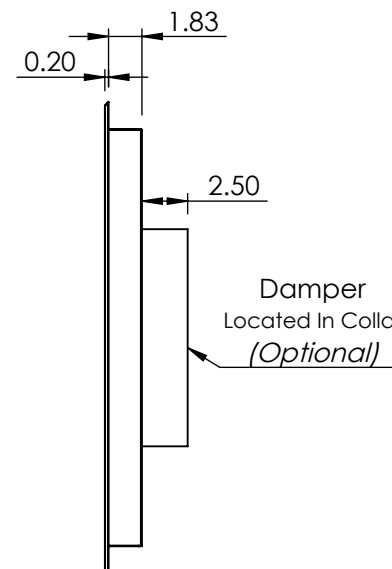
AJ MANUFACTURING CO. INC.
8701 ELMWOOD AVE #400, KANSAS CITY, MO 64132
PH: 816.231.5522 / WWW.AJMFG.COM



MOUNTING STYLE	NOMINAL SIZE	OVERALL WIDTH (W)	OVERALL HEIGHT (H)	NECK WIDTH (NW)	NECK HEIGHT (NH)
Surface Mount	12 x 12	13.81	13.81	10.81	10.81
	24 x 24	25.81	25.81	22.81	22.81
	Other	Nominal + 1.81	Nominal + 1.81	Nominal - 1.19	Nominal - 1.19



Countersunk Screw Holes (Typ)



SSPLT-LAY-IN

PERFORATED DIFFUSER

STANDARD CONSTRUCTION

- 304 Stainless Steel
- 51% Perf Face
- Louvered 4-Way Airflow *(Supply Only)*

ORDER SIZE (Duct Opening Size)

W: _____ x H: _____

INLET/OUTLET OPTIONS

- Round - Size: _____
- Square - Size: _____
 - Flanged
- Rectangle - Size: _____
 - Flanged

FEATURE OPTIONS

- Foil Backed Insulation
 - 1.5" (R=4.2)
 - 2.25" (R=6.0)
- Alternate Airflow Distribution
 - Curved Blades
 - Airfoil Blades
 - Swirl Face

AIRFLOW OPTIONS

- Supply
- Return

MATERIAL OPTIONS

- 316 Stainless Steel

FINISH OPTIONS

- Polished
- White Antimicrobial Powder Coat
- Other: _____

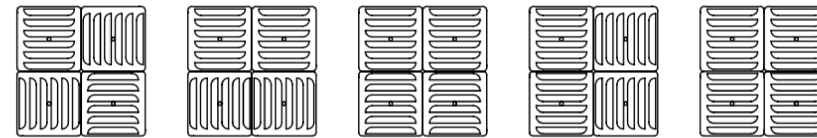
DAMPER OPTIONS

- SSRD - Butterfly Damper
- SSBD - Bowtie Damper
- S-44 - Opposed Blade Damper
(Only Available w/Rect. Inlet)

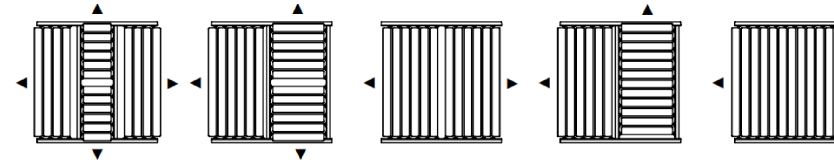
AIRFLOW PATTERNS (Supply Diffuser Only)

- 4-Way
- 3-Way
- 2-Way Opposite
- 2-Way Corner
- 1-Way

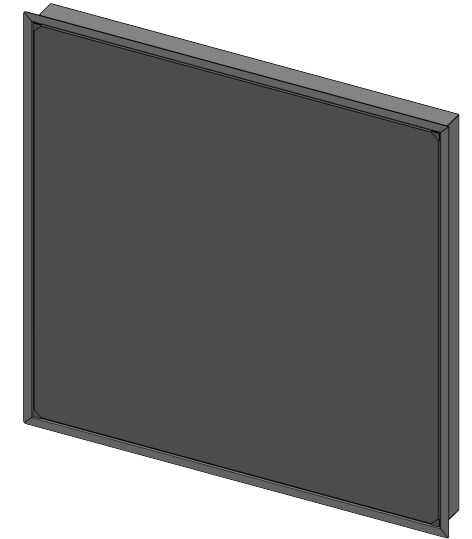
Louvered



Airfoil / Curved Blades



AJ MANUFACTURING CO. INC.
8701 ELMWOOD AVE #400, KANSAS CITY, MO 64132
PH: 816.231.5522 / WWW.AJMFG.COM



MOUNTING STYLE	NOMINAL SIZE	OVERALL WIDTH (W)	OVERALL HEIGHT (H)	NECK WIDTH (NW)	NECK HEIGHT (NH)
Lay-In	12 x 12	11.75	11.75	10.81	10.81
	24 x 24	23.75	23.75	22.81	22.81
	Other	Nominal - 0.25	Nominal - 0.25	Nominal - 1.19	Nominal - 1.19

