

SSEPD

OR SYSTEM AIR CURTAIN



AJ MANUFACTURING CO. INC.
8701 ELMWOOD AVE #400, KANSAS CITY, MO 64132
PH: 816.231.5522 / WWW.AJMFG.COM

STANDARD CONSTRUCTION

- 304 Stainless Steel
- Hanger Tabs for Unit Support Above Ceiling

MATERIAL OPTIONS

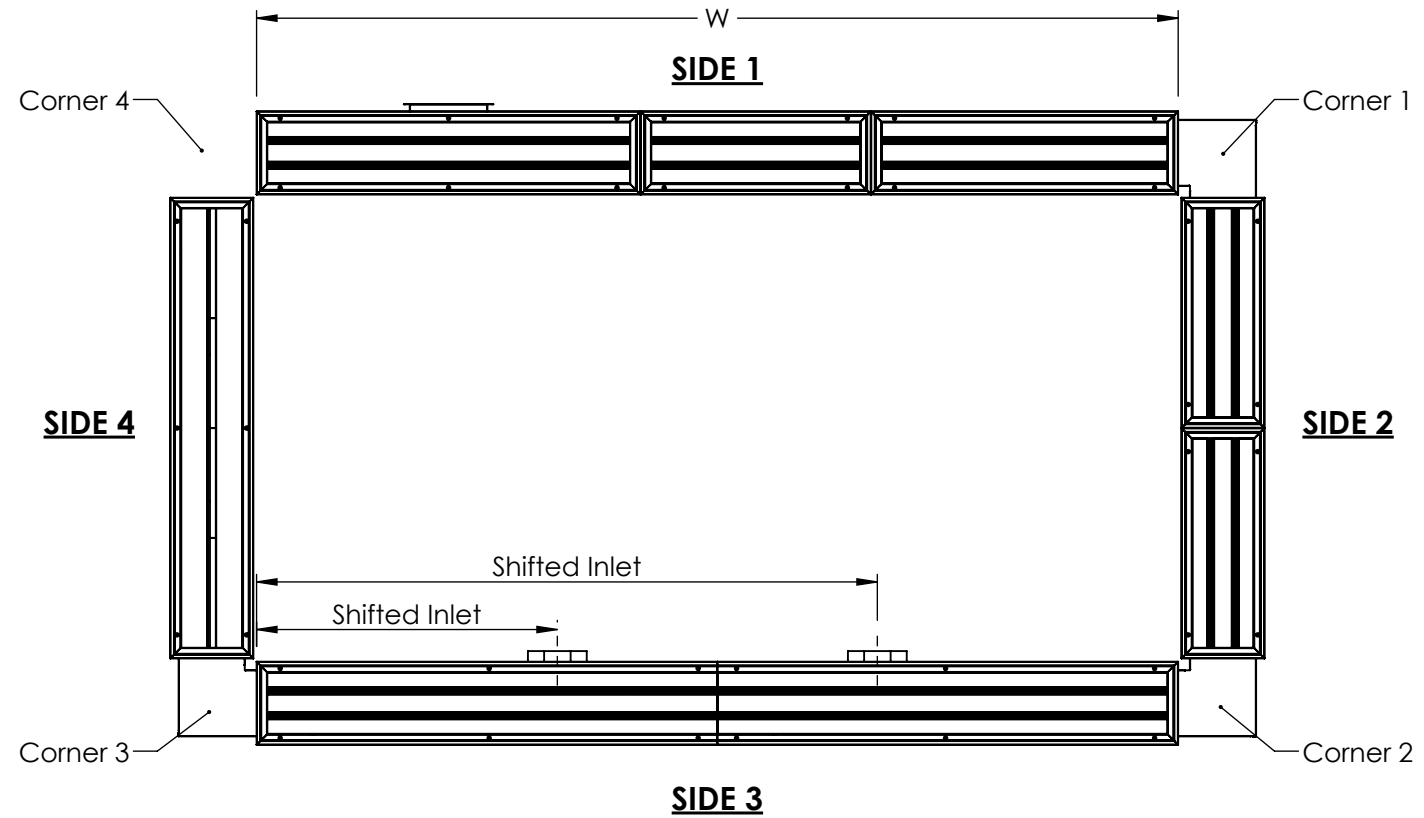
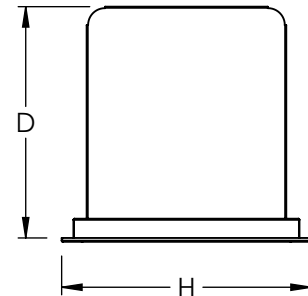
- 316 Stainless Steel
- Aluminum

FEATURE OPTIONS

- Unit Width (W): _____
- Unit Height (H): _____
- Unit Depth (D): _____
- Face Frame Options
 - Continuous Style
 - Framed Sections
- Corner Options
 - All
 - None
 - Select Each Side
- Single Slot
 - 0.5" Slot (No Blades)
 - 1" Slot
 - Blades
 - No Blades
 - 1.25" Slot (No Blades)
- Double Slot
 - 0.5" Slot (No Blades)
 - 1" Slot
 - Blades
 - No Blades

FINISH OPTIONS

- #4 Satin (Stainless Steel Units Only)
- White Antimicrobial Powder Coat
- Other: _____



- Airfoil Blade Angle
 - 15° (Std)
 - Custom Angle: _____
- Foil Backed Insulation
 - 1.5" (R=4.2)
 - 2.25" (R=6.0)
- Opposed Blade Damper (Only Available w/Rect. Inlet)
 - Riveted
 - Removable
 - Remote Damper
- Hard Ceiling Clamping System

SIDE 1

- Unit Width (W): _____
- Corner 1
- # of Sections: _____ (Max 96" Each)
 - Equal Size
 - Custom Sizes: _____
- Number of Inlets per Side: _____
- Inlet Shape
 - No Inlet
 - Round - Size: _____
 - Oval - Size: _____
 - Rectangle - Size: _____
 - Flanged
- Inlet Location
 - Top
 - Outside
 - Inside
- Inlet Position
 - Centered
 - Shifted: _____
(From End of Face to Center of Inlet)

SIDE 2

- Unit Width (W): _____
- Corner 2
- # of Sections: _____ (Max 96" Each)
 - Equal Size
 - Custom Sizes: _____
- Number of Inlets per Side: _____
- Inlet Shape
 - No Inlet
 - Round - Size: _____
 - Oval - Size: _____
 - Rectangle - Size: _____
 - Flanged
- Inlet Location
 - Top
 - Outside
 - Inside
- Inlet Position
 - Centered
 - Shifted: _____
(From End of Face to Center of Inlet)

SIDE 3

- Unit Width (W): _____
- Corner 3
- # of Sections: _____ (Max 96" Each)
 - Equal Size
 - Custom Sizes: _____
- Number of Inlets per Side: _____
- Inlet Shape
 - No Inlet
 - Round - Size: _____
 - Oval - Size: _____
 - Rectangle - Size: _____
 - Flanged
- Inlet Location
 - Top
 - Outside
 - Inside
- Inlet Position
 - Centered
 - Shifted: _____
(From End of Face to Center of Inlet)

SIDE 4

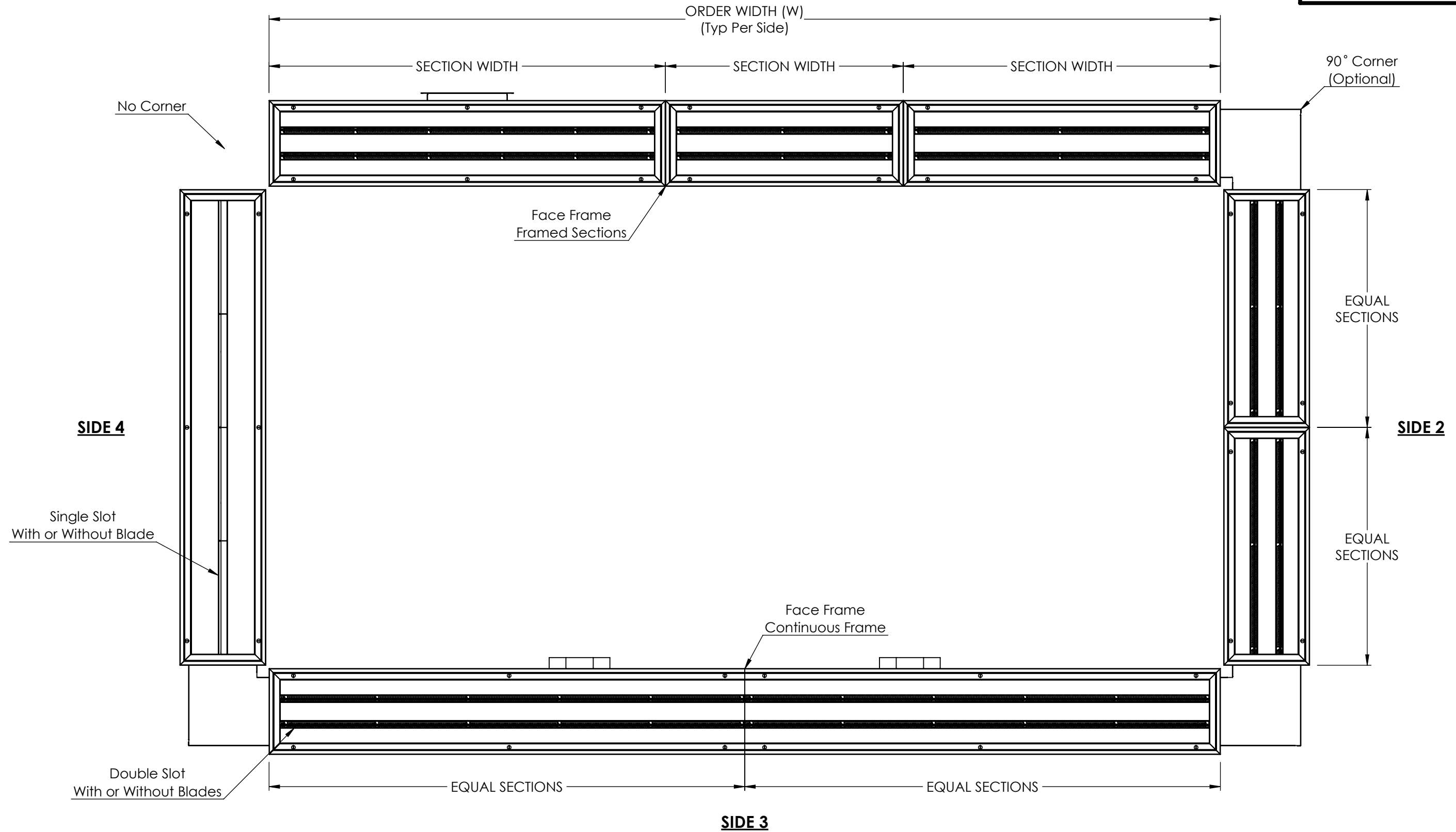
- Unit Width (W): _____
- Corner 4
- # of Sections: _____ (Max 96" Each)
 - Equal Size
 - Custom Sizes: _____
- Number of Inlets per Side: _____
- Inlet Shape
 - No Inlet
 - Round - Size: _____
 - Oval - Size: _____
 - Rectangle - Size: _____
 - Flanged
- Inlet Location
 - Top
 - Outside
 - Inside
- Inlet Position
 - Centered
 - Shifted: _____
(From End of Face to Center of Inlet)

SSEPD
OR SYSTEM AIR CURTAIN



AJ MANUFACTURING CO. INC.
8701 ELMWOOD AVE #400, KANSAS CITY, MO 64132
PH: 816.231.5522 / WWW.AJMFG.COM

SIDE 1

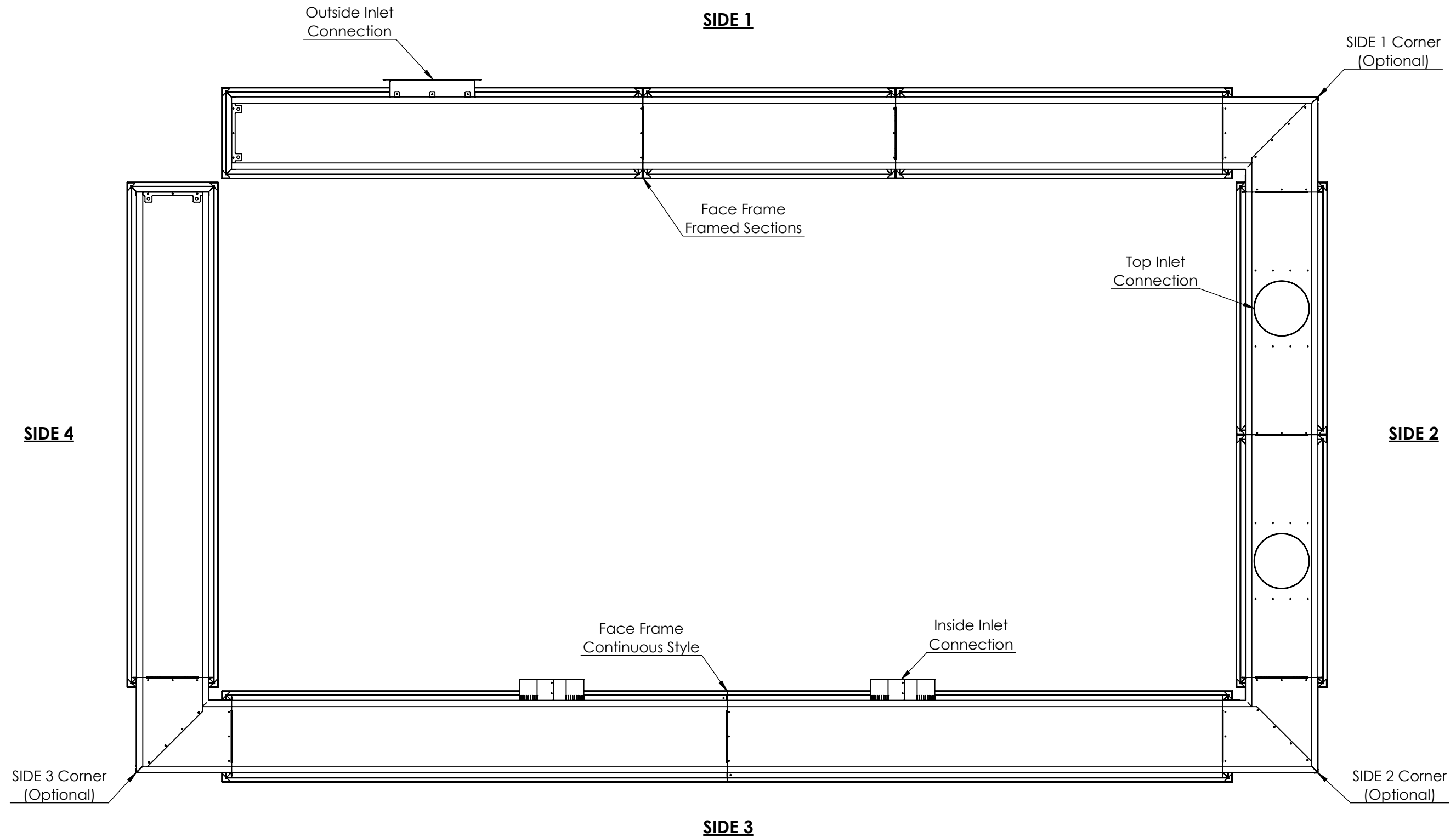


ROOM SIDE VIEW

SSEPD
OR SYSTEM AIR CURTAIN



AJ MANUFACTURING CO. INC.
8701 ELMWOOD AVE #400, KANSAS CITY, MO 64132
PH: 816.231.5522 / WWW.AJMFG.COM

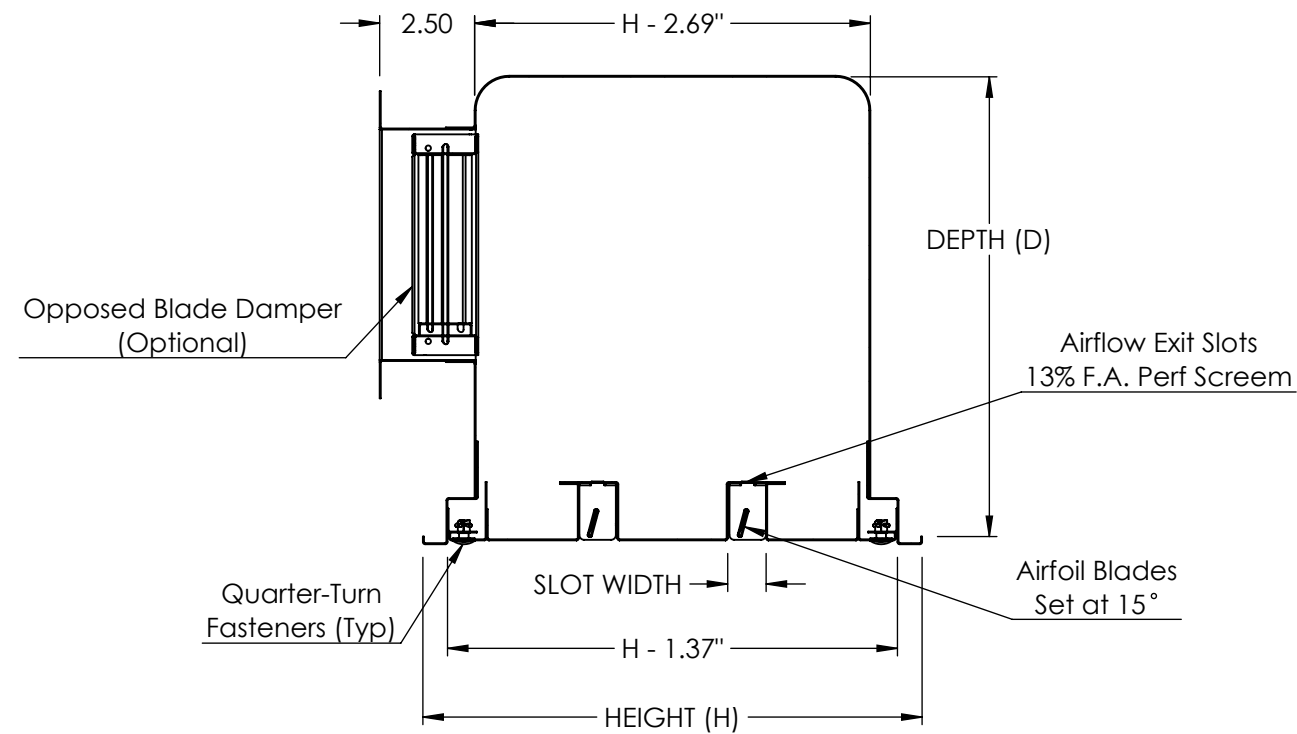
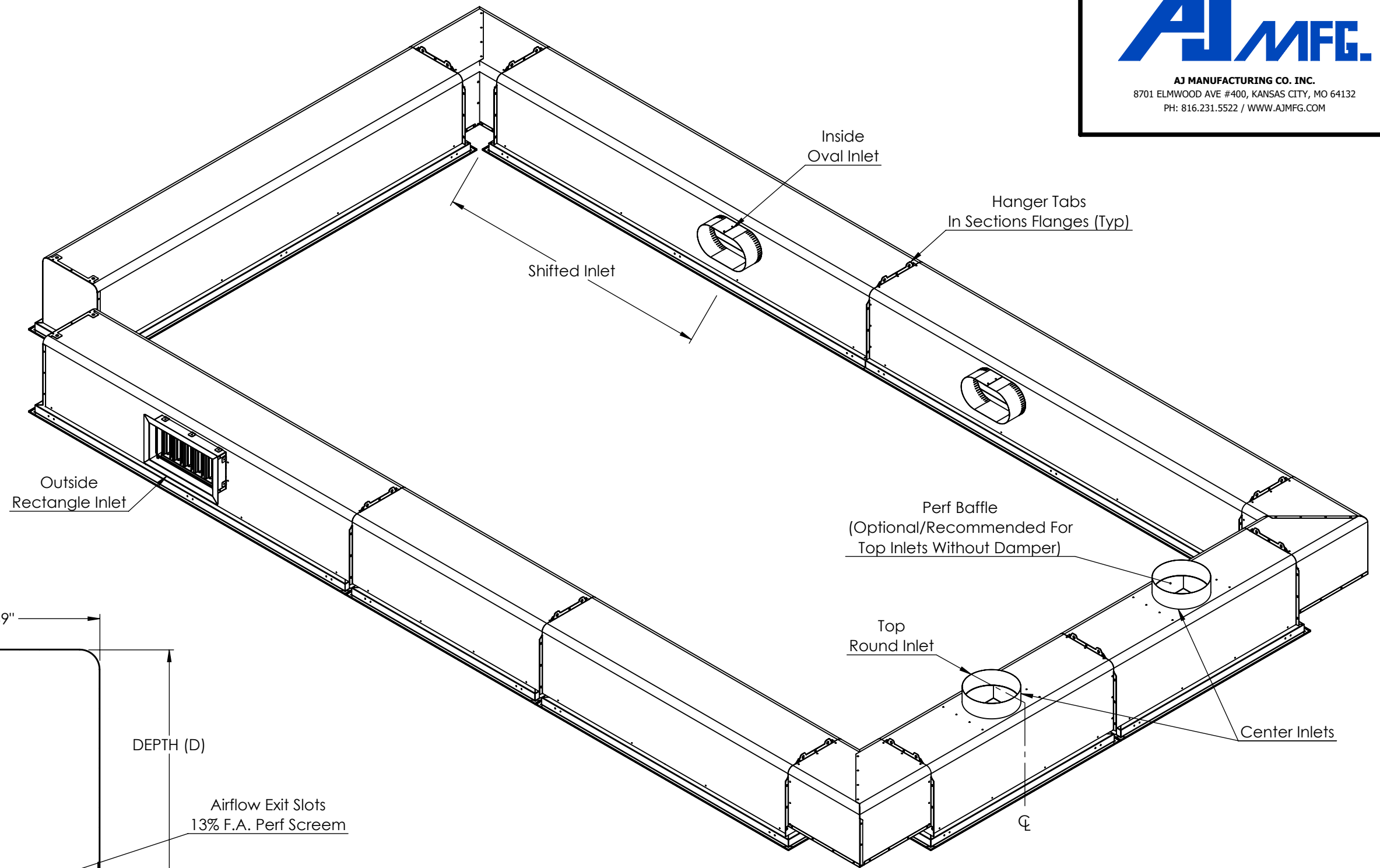


PLAN VIEW

SSEPD
OR SYSTEM AIR CURTAIN



AJ MANUFACTURING CO. INC.
8701 ELMWOOD AVE #400, KANSAS CITY, MO 64132
PH: 816.231.5522 / WWW.AJMFG.COM



CROSS SECTION