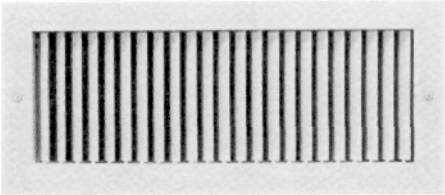
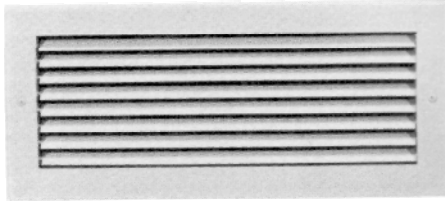


A550FG ALUMINUM

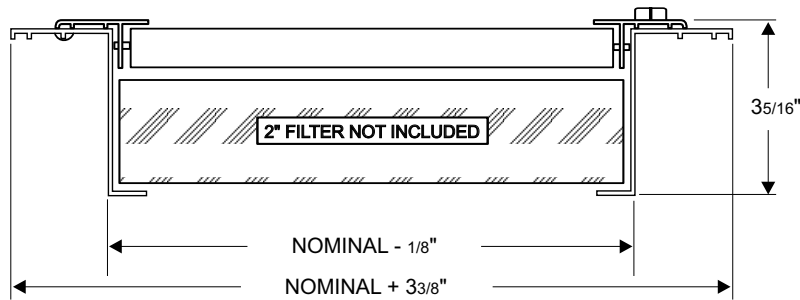
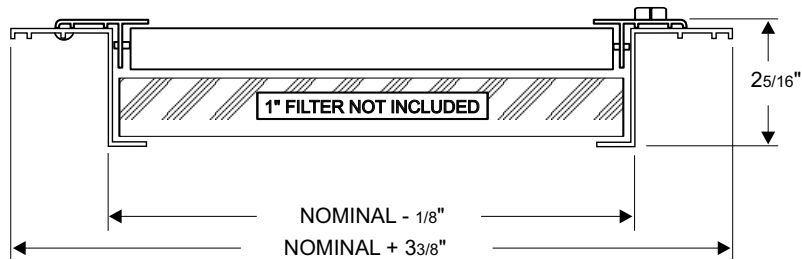
Fixed Airfoil Blade Filter Grille



- Fixed airfoil blades parallel to 1st dimension given.
- Extruded .060 T6 extruded aluminum construction.
- 45° fixed blade face to conceal filter.
- Quick thread screws for easy filter access.
- Concealed mounting holes.
- Filter retainers.
- Detachable face for easy cleaning.
- For 1" filter (not included).
- Finish Standard: A - Soft White
- Finishes Optional: B - Driftwood Tan
- C - *Colors
- F - Satin Anodized

Optional:

- 2" filter spacing, filter not included.
- Fractional, odd, I. D. and O. D. sizes available.



CUSTOMER ORDER NO. --		
JOB --		
ARCHITECT --		
CUSTOMER --		
QTY	ORDER SIZE (W x H)	TAG