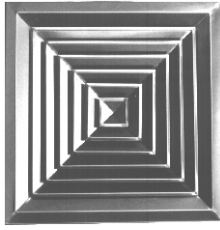


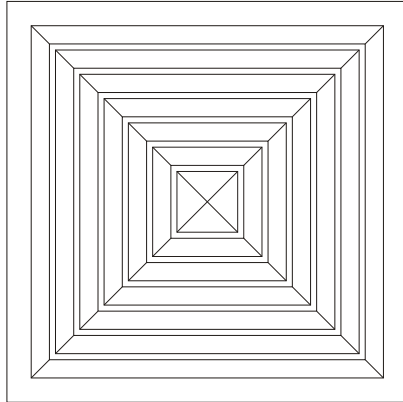
# SSLCD LESS STEEL

## Louvered Ceiling Diffuser

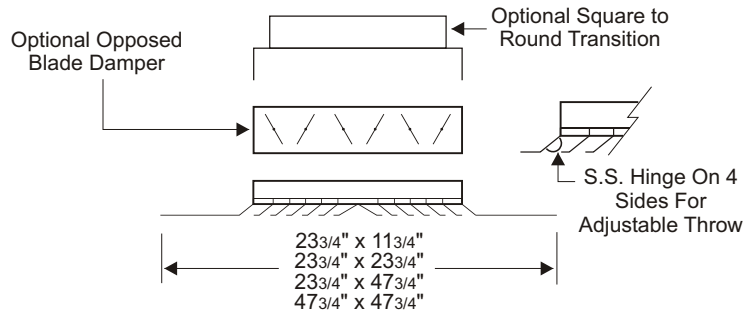
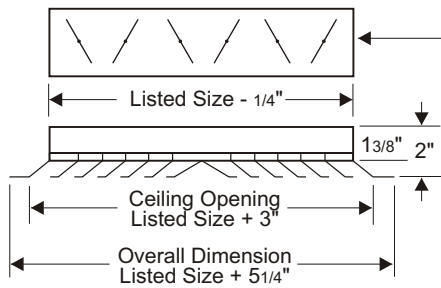
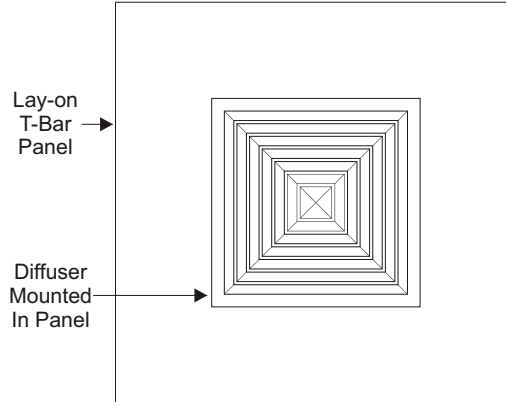


The SSLCD diffuser is offered for surface mount or lay-in T-bar panels. Available in multiple 1 to 4-way throw patterns, with optional stainless steel S-44 opposed blade damper and optional square to round transition.

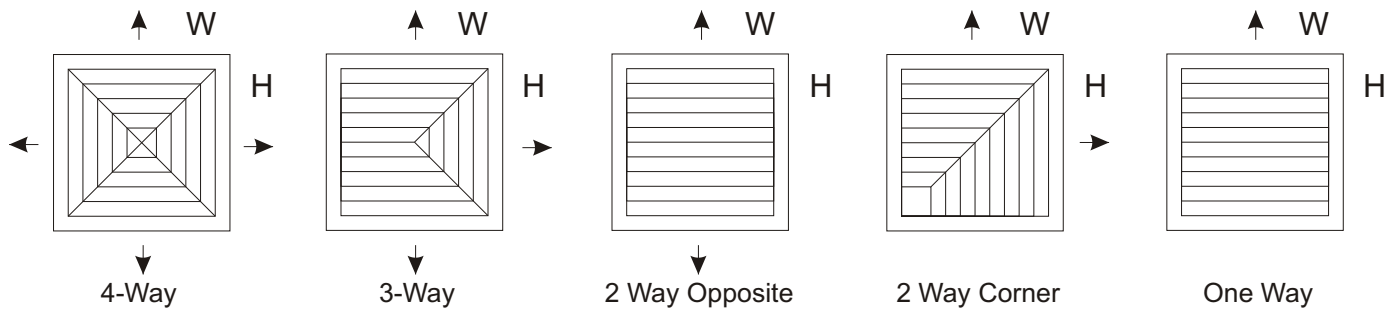
Surface Mounting



Lay-In T-Bar Mounting



### THROW PATTERNS



CUSTOMER ORDER NO. --								
PROJECT --								
ARCHITECT --								
CUSTOMER --								
QTY	LAY-IN T-BAR OR SURFACE MOUNT	THROW PATTERN	NECK SIZE W X H	THROW FIXED, ADJ	LAY IN T-BAR SIZE	DAMPER (Y/N)	STAINLESS 304 OR 316	TAG