

SSDRL

Drum Louver



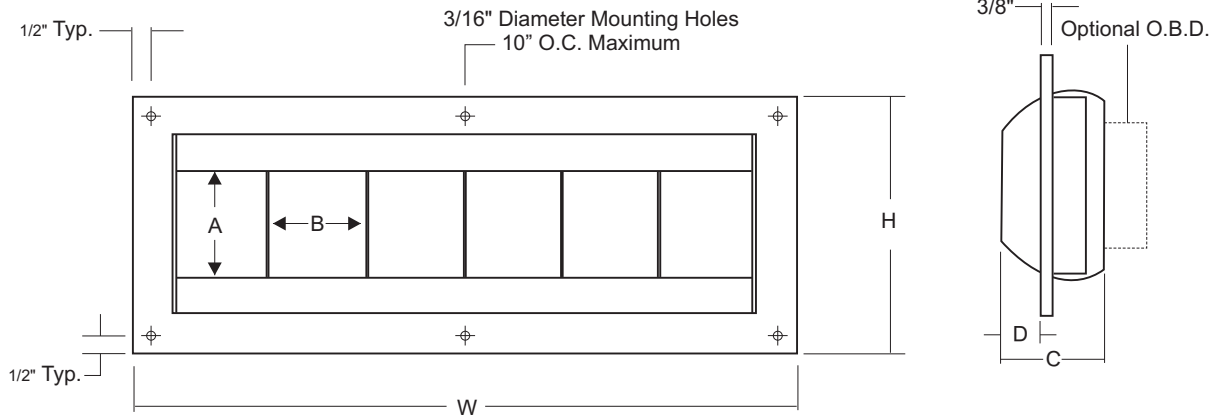
Our model Series SSDL is ideal where long throws and the durability and resistance of stainless steel are required. The louvers are pivoted about the rear of the blade and provide an additional directional control for the air stream.

Factory Standards

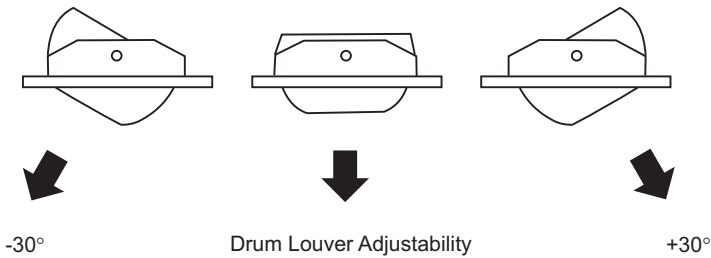
- 304 stainless construction.
- Matte finish.

U.S. Units to Metric Conversion

INCHES x (25.4) = MILLIMETERS



Face View



CUSTOMER ORDER NO. --			
JOB --			
ARCHITECT --			
CUSTOMER --			
QTY	ORDER SIZE (W x H)	TAG	304 OR 316