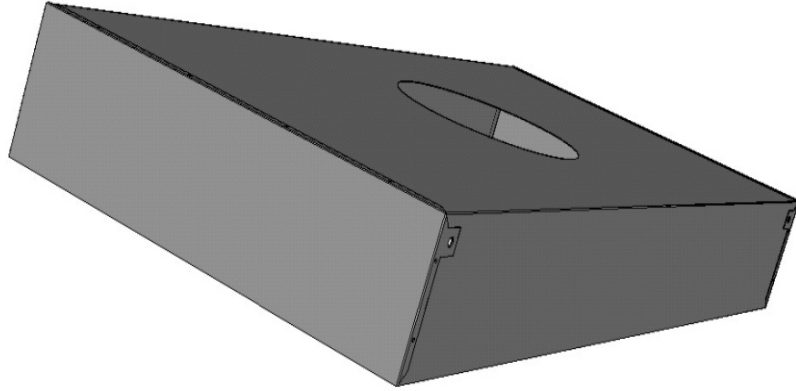


# STAINLESS STEEL PLENUMS

Custom Built to size with Round or Square Inlets



**Factory Standards**

- Type 304 stainless.
- 6" Deep 24 GA Stainless Steel
- Earth Quake Tabs (4 Corners)

**Factory Options** (extra charge)

- Type 316 stainless
- Painted finish.
- 9" or 12" Deep

Minimum W x H	Maximum W x H
4" x 4"	72" x 48"

**U.S. Units to Metric Conversion**

INCHES x (25.4) = MILLIMETERS

CUSTOMER ORDER NO. --		
JOB --		
ARCHITECT --		
CUSTOMER --		
QTY	PLENUM SIZE (W x H)	INLET OPENING