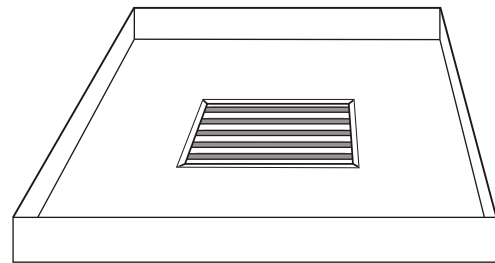
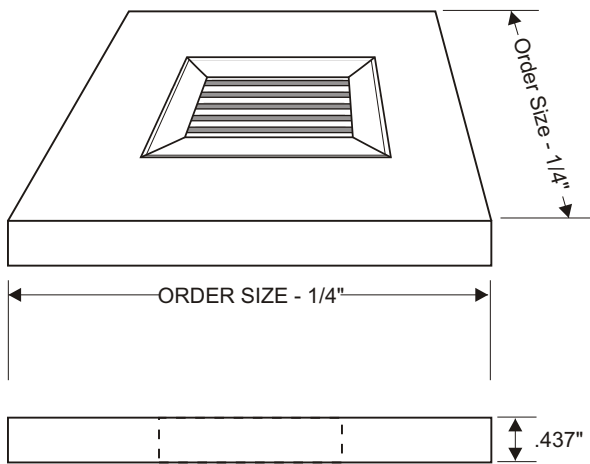


STAINLESS STEEL LAY IN PANELS

Register and Grille Lay-in Panels 20ga. 304 SS

Adapts square neck grilles, registers and diffusers to smaller square neck attachments.

LAY-IN PANEL



CUSTOMER ORDER NO. --			
JOB --			
ARCHITECT --			
CUSTOMER --			
QTY	LAY-IN SIZE (W x H)	GRILLE SIZE	304 OR 316