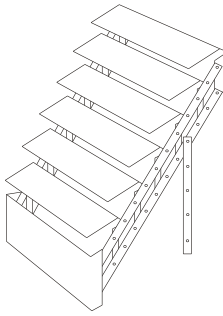


STAINLESS STEEL EXTRACTOR

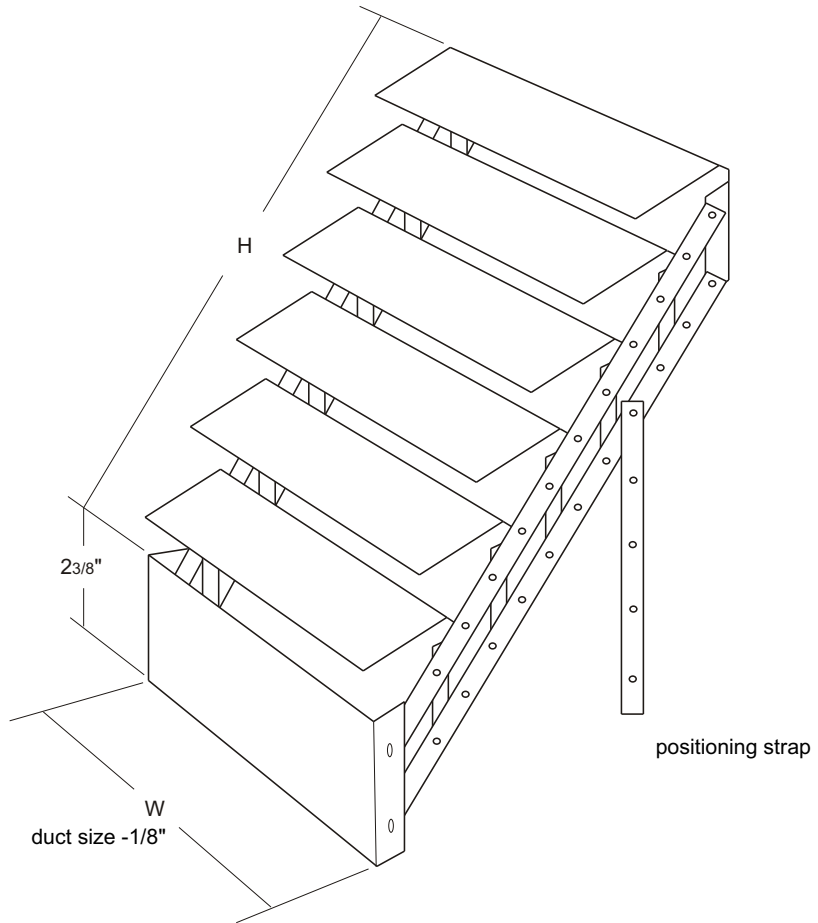


Our air extractor is constructed of curved stainless steel blades, gauged to operate in unison for fast and accurate adjustment, allows branch ducts to be fed from main lines, with uniform distribution over the entire area of the outlet.

Minimum W x H	Maximum W x H
4" x 4"	18" x 36"

U.S. Units to Metric Conversion
INCHES x (25.4) = MILLIMETERS

# OF BLADES	ACTUAL WIDTH -W
1	2.875
2	4.875
3	6.875
4	8.875
5	10.875
6	12.875
7	14.875
8	16.875
9	18.875
10	20.875
11	22.875
12	24.875
13	26.875
14	28.875
15	30.875
16	32.875
17	34.875
18	36.875
19	38.875
20	40.875



CUSTOMER ORDER NO. --			
JOB --			
ARCHITECT --			
CUSTOMER --			
QTY	ORDER SIZE (W x H)	TAG	304 OR 316