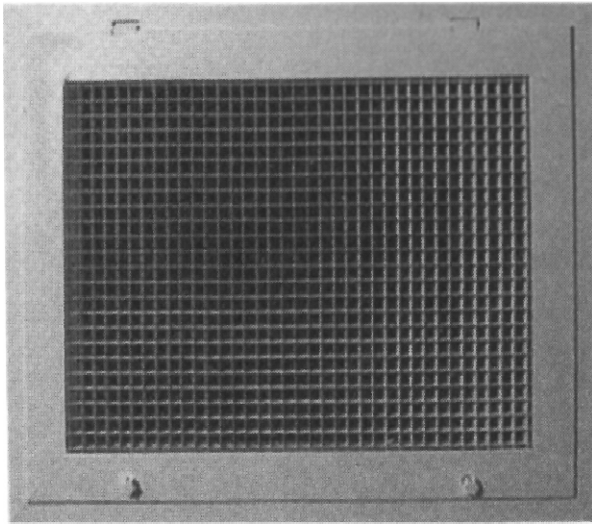


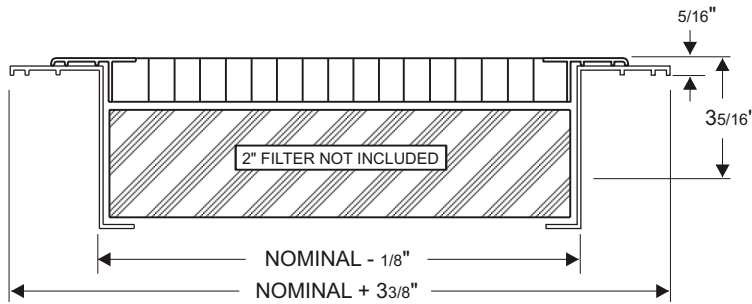
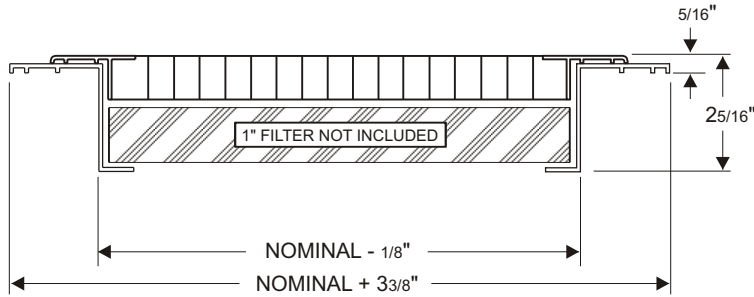
Egg Crate Lattice Filter Grille



- ☑ 1/2" x 1/2" x 1/2" aluminum lattice face.
- ☑ .055 T6 extruded aluminum frame.
- ☑ Quick thread knurled knobs for easy filter access.
- ☑ Concealed mounting holes.
- ☑ Filter retainers.
- ☑ Detachable face for easy cleaning.
- ☑ For 1" filter (not included).
- ☑ Finish Standard: A Soft White
- ☑ Finishes Optional: B Driftwood Tan
- C *Colors
- F Satin Anodized

Optional:

- ☑ 2" filter spacing (AEGGCRATEFG2), filter not included.
- ☑ Fractional, odd, I.D. and O.D. sizes available.
- ☑ 1/2" x 1/2" x 1" lattice.
- ☑ 1" x 1" x 1" lattice.



CUSTOMER ORDER NO. --		
JOB --		
ARCHITECT --		
CUSTOMER --		
QTY	ORDER SIZE (W x H)	TAG